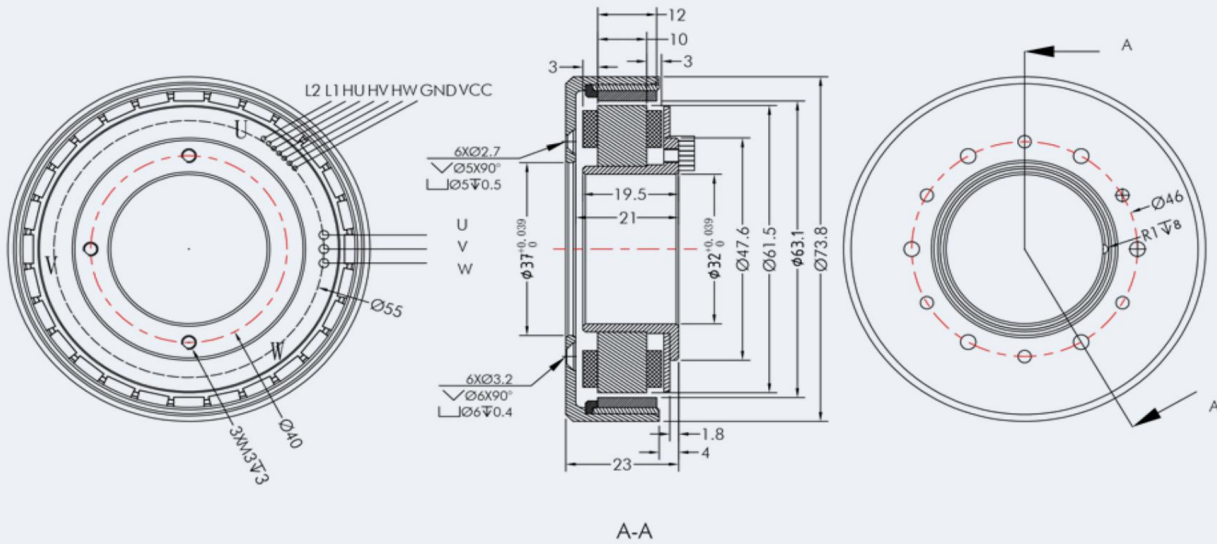


Product Drawing



Specifications

Application	Cobot Arm	Insulation Class	F
Driving Way	FOC	Insulation High-Voltage	500V
Operation Ambient Temperature	-20°C~50°C	Insulation Resistance	10M Ω
Winding Type	star	Cogging Torque	15N.mm
		Pole Pairs	14

Electric Parameters

Rated Voltage (V)	48	Ke (V/krpm)	8.28
No-Load Speed (rpm)	5520	Phase To Phase Resistance (m Ω)	300
Rated Torque (Nm)	0.8	Phase To Phase Inductance (μ H)	395
Rated Speed (rpm)	4200	Inertia (gcm ²)	1161
Rated Current (ADC)	8.5	Km (Nm/ \sqrt W)	0.17
Peak Torque (Nm)	2.4	Mechanical Time Constant (ms)	2.86
Peak Current (ADC)	40	Electrical Time Constant (ms)	1.32
Kv (rpm/V)	115	Weight (g)	248
Kt (Nm/A)	0.094	Maximum Torque Weight Ratio (Nm/kg)	9.68

Analytical Graph of Motor Operation

