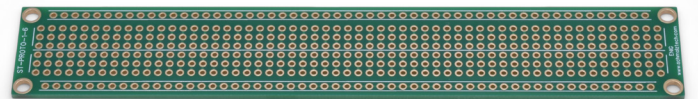
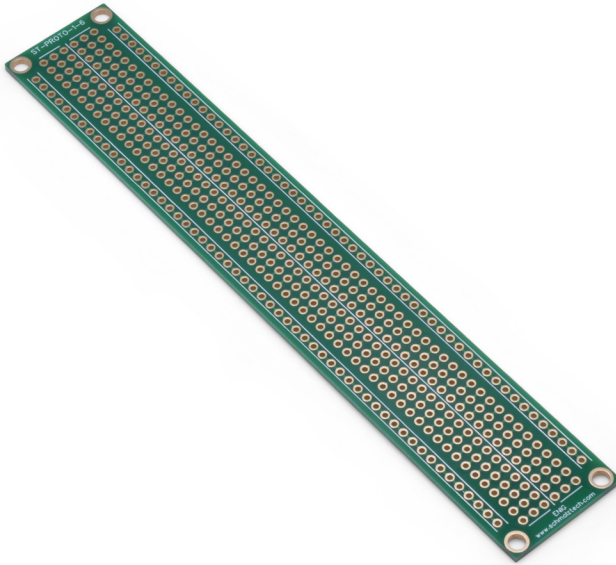




# ST-PROTO-1-6

## 1" x 6" ProtoBoard



- High quality FR4 can withstand high temperature soldering and re-work
- Standard 0.1" pitch holes enable compatibility with a large variety of components
- Rows are electrically connected for fast circuit creation
- Four mounting holes allow for easy fixturing

Specifications	
Hole Pitch	0.1"
Hole Diameter	0.040"
Mounting Holes	4x - 0.125"
Surface Finish	ENIG
Temperature Rating	-30°C to +100°C

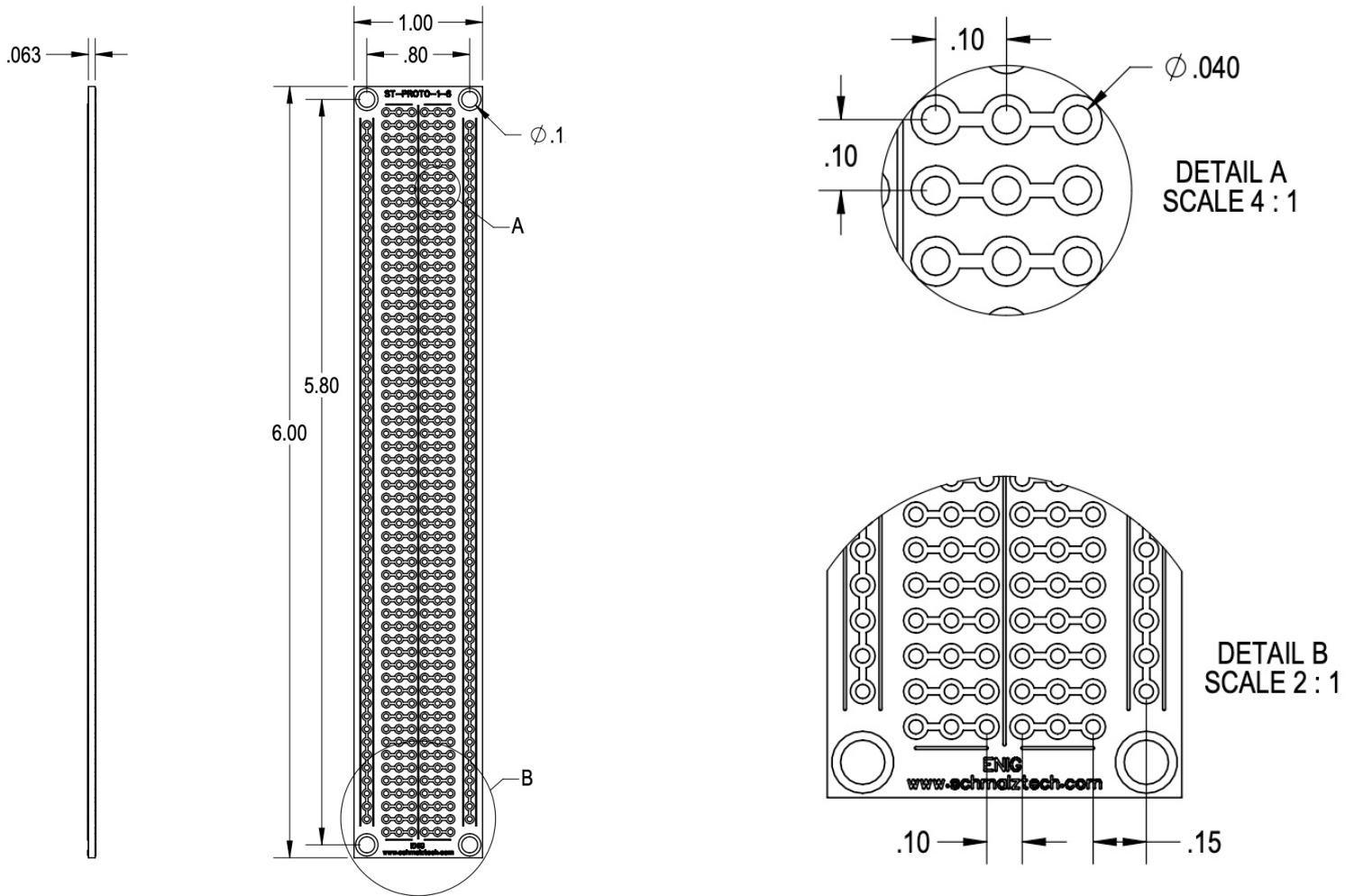
This protoboard is the perfect tool for quickly prototyping an electronic circuit or turning a breadboard prototype into something more permanent. These boards have an ENIG surface finish and are made from high quality FR4 which can withstand high temperature soldering and re-work. The holes on this prototyping PCB have a standard 0.1" pitch to enable compatibility with a large variety of electronic components. The space between the power rails and the adjacent rows is 0.15". Each hole is electrically connected to a row of holes to make building circuits fast and easy. See the drawing below for a detailed view of the electrical connections on this board. Both sides of this board have solder mask, making it easier to control solder flow and prevent unintentional bridges.



# ST-PROTO-1-6

1" x 6" Protoboard

## Mechanical Drawings



## Electrical Connections

This protoboard is broken up into rows of three electrically connected holes with a full length power rail on each side. All electrical connections are shown on the drawings above.



# ST-PROTO - Ordering Information

ST-PROTO- \_\_\_\_\_ - \_\_\_\_\_



**Length (inches)**

See table below for standard length options

**Width (inches)**

See table below for standard width options

## Standard Sizes

Part #	Width	Length
ST-PROTO-1-2	1"	2"
ST-PROTO-1-3	1"	3"
ST-PROTO-1-4	1"	4"
ST-PROTO-1-6	1"	6"
ST-PROTO-1-8	1"	8"
ST-PROTO-2-2	2"	2"
ST-PROTO-2-3	2"	3"
ST-PROTO-2-4	2"	4"
ST-PROTO-2-6	2"	6"
ST-PROTO-2-8	2"	8"
ST-PROTO-3-3	3"	3"
ST-PROTO-3-4	3"	4"
ST-PROTO-3-6	3"	6"
ST-PROTO-3-8	3"	8"
ST-PROTO-4-4	4"	4"
ST-PROTO-4-6	4"	6"
ST-PROTO-4-8	4"	8"
ST-PROTO-6-6	6"	6"
ST-PROTO-6-8	6"	8"
ST-PROTO-8-8	8"	8"

If you need a size that is not listed on the table above please reach out to us at sales@schmalztech.com. We can create a custom design to meet your exact specifications.



# ST-PROTO - Ordering Information

## Ordering

To order please visit [www.schmalztech.com](http://www.schmalztech.com) or one of our distributors to quickly place an online order.

Orders may also be placed by email or phone:

Email: [sales@schmalztech.com](mailto:sales@schmalztech.com)

Phone: +1 (844) 399-9213

## Expedited Shipping

If overnight shipping is required please contact us directly so that we can expedite your order. Overnight shipping is provided through UPS and will incur an additional charge.

## Custom Designs

Can't find what you need? We can design and produce a custom board to fit your exact needs. Please reach out to us for additional information and pricing.