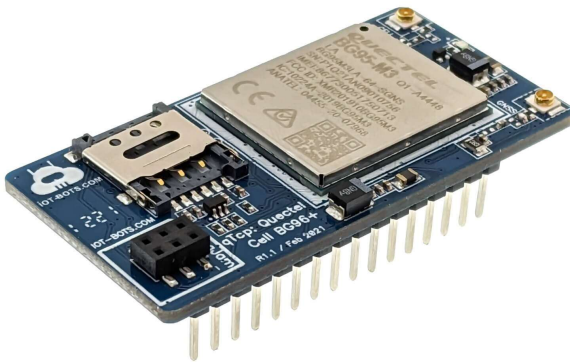


qTop LTE GNSS BG95 AFC shield

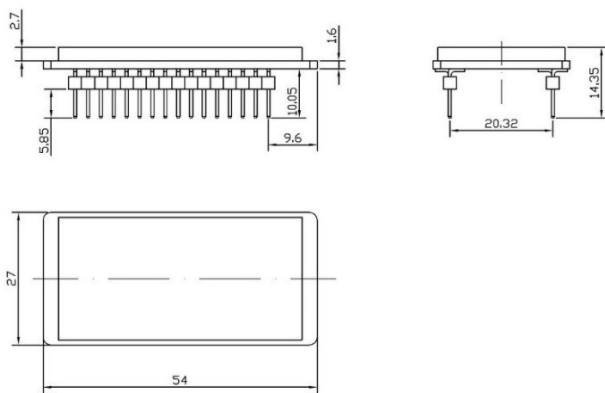
qTop BG95 LTE GNSS Adafruit Feather Compatible Shield is the easiest way to bring the cellular wireless and GNSS location functionality to your Adafruit Feather Compatible board DIY IOT project. qTop BG95 LTE GNSS AFC shield is based on Quectel BG95-M3 LTE CAT M1 / NB-IOT / EGPRS GNSS wireless module. qTop BG95 shield is developed to be used together with popular Adafruit Feather Compatible IOT boards to build various DIY IOT cellular connectivity projects.



FEATURES

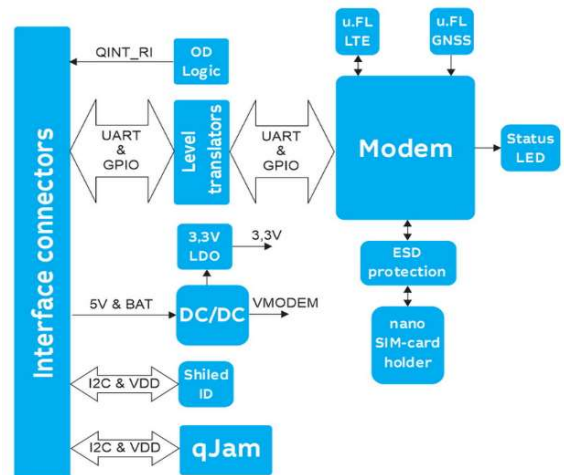
- LTE Cellular and GNSS Navigation all-in-one: Multi-mode LPWA and GNSS Quectel BG95-M3 module based shield;
- Reliable and Optimized Power Management: Integrated High Efficiency Single Inductor Buck-Boost TPS63020 converter;
- Flexible and compatible interface: All modem UARTs pins are accessible through PCB jumpers and 3,3V translators;
- Flexible antenna options: Two built-in u.FL connectors for Cellular and GNSS antennas to be connected;
- Shield identification feature: UID EEPROM chip integrated allows to keep Shield info, version and unique ID of the product;
- Sensor Add-On capability: Built in qJam connector gives opportunity to bring to the system any qJam family devices;
- Popular IOT board compatibility: pin-to-pin compatible with favorite Adafruit Feather IOT boards;
- Shock & Vibration resistant SIM Card Holder: World's smallest hinged nano-SIM Card holder integrated.

MECHANICAL

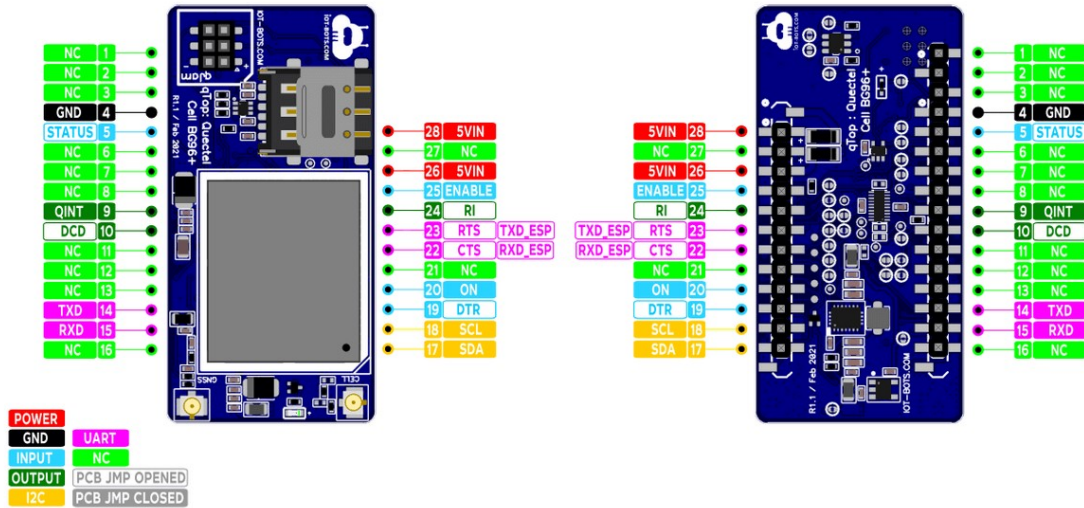


Note : All dimensions are preliminary

BLOCK DIAGRAMM



PINOUT



ELECTRICAL

Parameter	Min	Typ.	Max
Power Supply, VDC	3.6	4.2	5.5
Digital I/O Pins, VDC	0	3.3	5.5
RTC Pin, VDC	0	3.0	3.0
VUSB Pin, VDC	3.0	5.0	5.25
USB Data Pins, VDC	Compliant with USB 2.0 standard specification		
Networks	LTE Cat M1/Cat NB2/EGPRS		
Location	GPS/GLONASS/BeiDou/Galileo/QZSS		
Operating Temperature	-35 °C to +75 °C		

FCC ID

XMR201910BG95M3

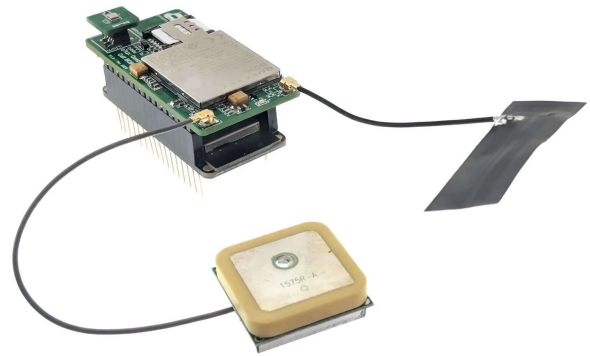
PRODUCT PAGE

[qTop LTE GNSS BG95 AFC Shield page](#)

CONTACT INFO

support@iot-bots.com

ASSEMBLING



IC ID

10224A-2019BG95M3

ORDERING INFO

IBT-QTC-AFC-BG95

www.iot-bots.com