

# BASSO-1010DS



## Key Features

### Made in Korea

High quality, high performance converter made in Korea

### Supports Industrial Environment

Provides superior reliability and performance for use in various environment

### High Speed Serial Communication Speed

Powerless, high-performance converter with speeds up to 921.6Kbps.

## SystemBase Co., Ltd.

16F, Daerung Post Tower-1, Digital-ro 288, Guro-gu, Seoul, Republic of Korea 08390

Tel +82-2-855-0501 | Fax +82-2-855-0580 | [www.sysbas.com](http://www.sysbas.com)

Specifications are subject to change without notice.

## Overview

BASSO-1010DS converts RS232 signals to RS422 or RS485 signals, providing high level performance and functionality. It is easy to use by operating the DIP switch to select various modes such as RS422 or RS485. It also supports up to 921.6Kbps serial communication speed and is equipped with Echo mode, terminating resistance ON/OFF and power.

## Specification

<b>Serial</b>	Standards	RS232(DB9 Female), RS422/485(Terminal Block)
	Maximum Speed	921.6Kbps
	Signal Lines	RS232: TXD, RXD, DTR, RTS RS422: TXD+, TXD-, RXD+, RXD- RS485: TRXD+, TRXD-
	RS422 Mode	Point to Point, Multi-Drop
	RS485 Mode	Echo, Non-Echo
	Parity bit	None, Even, Odd
	Dip Switch	RS422/485 Selectable Termination Resistor Selectable
	Protection	400W Pulse Surge Protection 15kV ESD Protection
<b>Hardware &amp; Environment</b>	LED	PWR
	Dimension (W x L x H)	59.2 x 30.8 x 17.65mm 2.33 x 1.21 x 0.69in
	Weight	21g (0.74oz)
	Operating Temperature	-40 ~ 85°C (-40 ~ 185°F)
	Storage Temperature	-40 ~ 85°C (-40 ~ 185°F)
	Humidity	5~90% Non-condensing
Certification		CE, FCC, RoHS
Ordering information		BASSO-1010DS V1.0

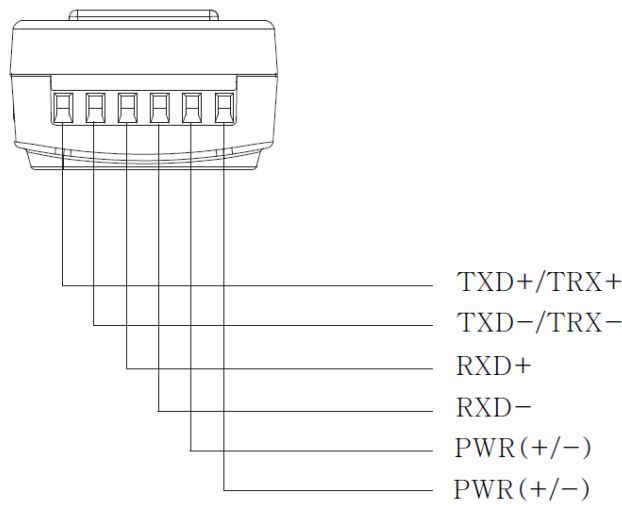
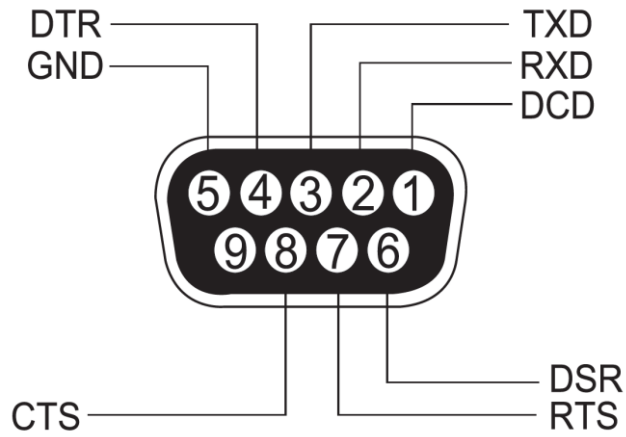
### SystemBase Co., Ltd.

16F, Daerung Post Tower-1, Digital-ro 288, Guro-gu, Seoul, Republic of Korea 08390

Tel +82-2-855-0501 | Fax +82-2-855-0580 | [www.sysbas.com](http://www.sysbas.com)

Specifications are subject to change without notice.

# Pin Specification



### [Caution]

DCD, CTS, DSR signals are not used.

The RS232 port is DCE(Data Communication Equipment) mode, which is directly connected to a DTE port such as PC.

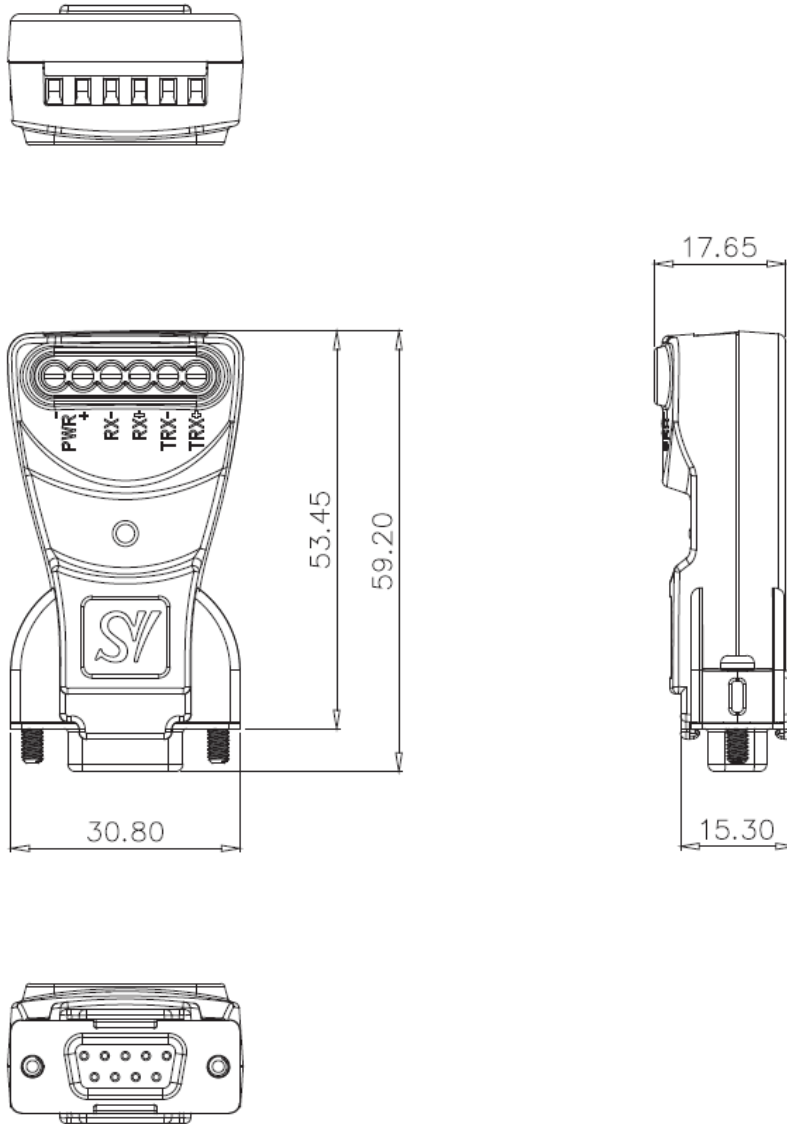
### SystemBase Co., Ltd.

16F, Daerung Post Tower-1, Digital-ro 288, Guro-gu, Seoul, Republic of Korea 08390

Tel +82-2-855-0501 | Fax +82-2-855-0580 | [www.sysbas.com](http://www.sysbas.com)

Specifications are subject to change without notice.

## Dimension



Unit: mm

### SystemBase Co., Ltd.

16F, Daerung Post Tower-1, Digital-ro 288, Guro-gu, Seoul, Republic of Korea 08390

Tel +82-2-855-0501 | Fax +82-2-855-0580 | [www.sysbas.com](http://www.sysbas.com)

Specifications are subject to change without notice.