

# CS-428/9AT-mini2



## Key Features

### **Auto RTS Control (Auto Toggling)**

The CS-428/9AT-mini2 has a built-in hardware feature that performs automatic toggling to prevent devices from sending data simultaneously.

### **No External Power Required**

Can be used without external power supply if DTR signal line is enabled.

### **Dip Switch**

With the dip switch, RS422/485, termination resistor and Echo mode are selectable.

## SystemBase Co., Ltd.

16F, Daerung Post Tower-1, Digital-ro 288, Guro-gu, Seoul, Republic of Korea 08390

Tel +82-2-855-0501 | Fax +82-2-855-0580 | [www.sysbas.com](http://www.sysbas.com)

Specifications are subject to change without notice.

## Overview

CS-428/9AT-mini2 converts RS232 signals to RS422 or 485 and is the smallest converter available on the market. It is a fast and efficient solution to overcome distance limitations of RS232 or for connecting to industrial devices with an RS422/RS485 interface.

No additional software is required for operation. With an easily accessible DIP switch you can configure the interface for RS422 or RS485. The CS-428/9AT-mini2 is fully compatible with the serial COM port on your PC.

## Specification

Serial	Max. Speed	921.6Kbps
	Max. Distance	1.2km
	Connector(RS232)	DE-09S(DB9 Female)
	Connector(RS422/485)	Terminal Block 4P
	Signals(RS232)	TXD, RXD, RTS, DTR, GND
	Signals(RS422)	TXD+, TXD-, RXD+, RXD-
	Signals(RS485)	TRXD+, TRXD-
	RS422 Mode	Point to Point, Multi-Drop
	RS485 Mode	Echo, Non-Echo
	Dip Switch	RS422/485 Selectable
Hardware	Dimension (W) x (L) x (H)	34.4 x 35.9 x 16.5mm 1.35 x 1.41 x 0.65inch
	Weight	20g (0.71oz)
	LED	TXD, RXD, PWR
	Power	-w/o Power Adapter: RS232 TXD, RTS, DTR Signal  -w/ Power Adapter:

### SystemBase Co., Ltd.

16F, Daerung Post Tower-1, Digital-ro 288, Guro-gu, Seoul, Republic of Korea 08390

Tel +82-2-855-0501 | Fax +82-2-855-0580 | [www.sysbas.com](http://www.sysbas.com)

Specifications are subject to change without notice.

		Voltage 7~12VDC, Polarity-Independent
	Protection	15kV Surge Protection
	Operating Temperature	-40 ~ 85°C (-40 ~ 185°F)
	Humidity	5 ~ 95% Non-Condensing
Ordering Information		CS-428/9AT-mini2

**SystemBase Co., Ltd.**

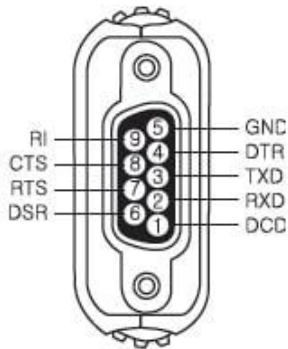
16F, Daerung Post Tower-1, Digital-ro 288, Guro-gu, Seoul, Republic of Korea 08390

Tel +82-2-855-0501 | Fax +82-2-855-0580 | [www.sysbas.com](http://www.sysbas.com)

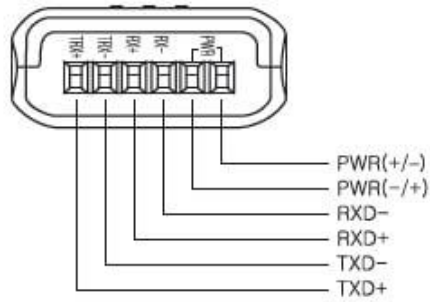
Specifications are subject to change without notice.

## Pin Assignment

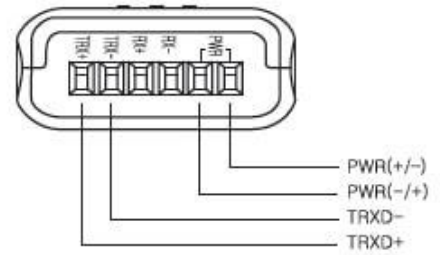
RS232 DB9 Female



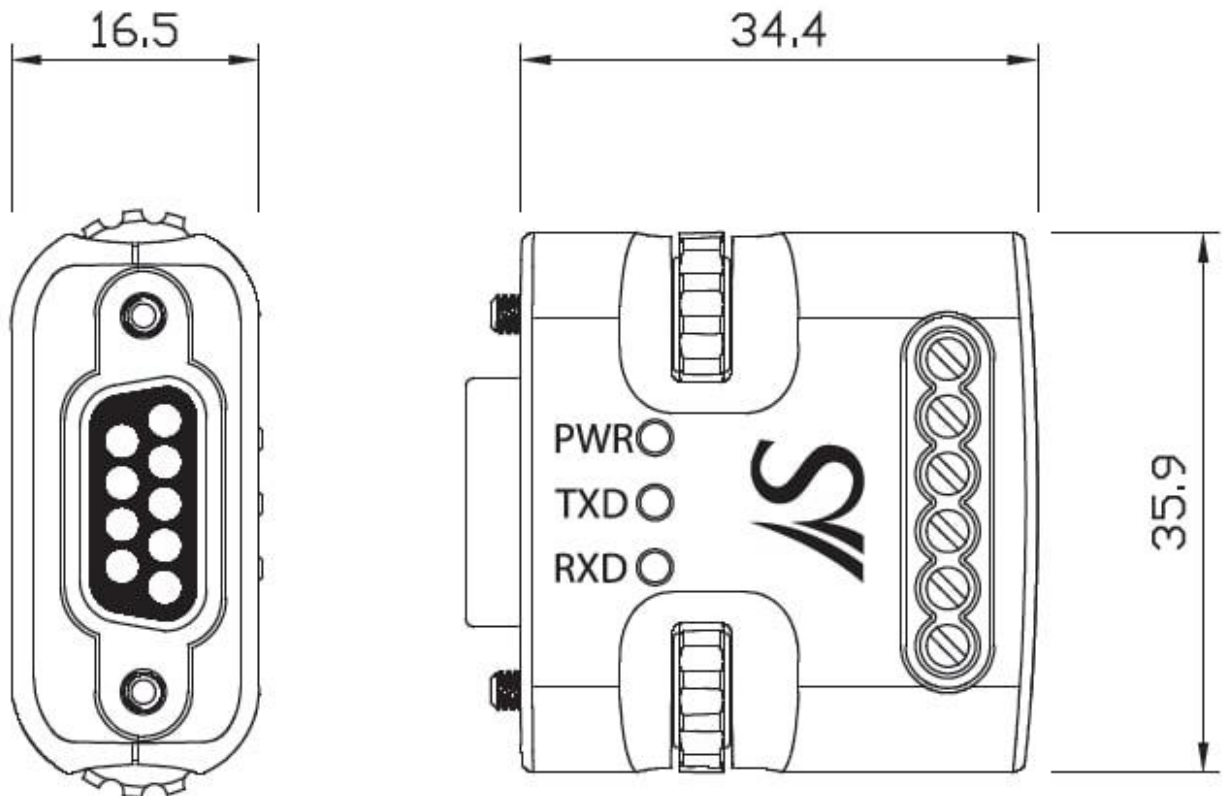
RS422 Terminal Block



RS485 Terminal Block



## Dimension



Unit: mm

### SystemBase Co., Ltd.

16F, Daerung Post Tower-1, Digital-ro 288, Guro-gu, Seoul, Republic of Korea 08390

Tel +82-2-855-0501 | Fax +82-2-855-0580 | [www.sysbas.com](http://www.sysbas.com)

Specifications are subject to change without notice.