

# sCAN



## Key Features

### Various CAN Options

An internal command process interprets commands in the serial data to change settings or transmit/receive CAN signals.

### ID Masking

The sCAN can only receive allowed CAN IDs.

### Easy Setting/Testing

CANView is an integrated utility that enables communication configuration, testing, and firmware upgrades.

## SystemBase Co., Ltd.

16F, Daerung Post Tower-1, Digital-ro 288, Guro-gu, Seoul, Republic of Korea 08390

Tel +82-2-855-0501 | Fax +82-2-855-0580 | [www.sysbas.com](http://www.sysbas.com)

Specifications are subject to change without notice.

## Overview

sCAN converts RS232 signals to CAN signals and CAN signals to RS232 signals. The built-in processor can identify a serial command to modify the configuration or transmit/receive CAN signals. The CAN transmit/receive commands can be modified that the users do not have to modify the software or the system they are using. The commands can be sent to the unit by terminal, but for integrated use with others, sCAN utility is provided which allows users to communicate, test and update the firmware.

## Specification

<b>CAN</b>	Specification	CAN 2.0A and 2.0B
	Maximum Distance	1km
	Max. Speed	1Mbps
	Connector	DE9 Plug
	Signals	CAN_H, CAN_L, VDD, GND
<b>EIA/TIA/ RS-232</b>	Maximum Distance	15m
	Max. Speed	460.8Kbps
	Connector	DE9 Socket
	Signals	TxD, RxD, GND, RTS, CTS, DTR, DSR
<b>Hardware &amp; Environment</b>	Power	5VDC (DE9 #9pin and/or CAN VBUS)
	Dimension (W x L x H)	34.9 x 60.36 x 16.5mm
		1.37 x 2.38 x 0.65in
	Weight	50g (1.76oz)
	Operating Temperature	-40 ~ 85°C (-40 ~ 185°F)
Humidity	Max. 90% R.H	
<b>Software</b>	OS	Windows XP/2003/Vista/2008/7/8/2012/10
	Utility	CANView
Ordering information		sCAN

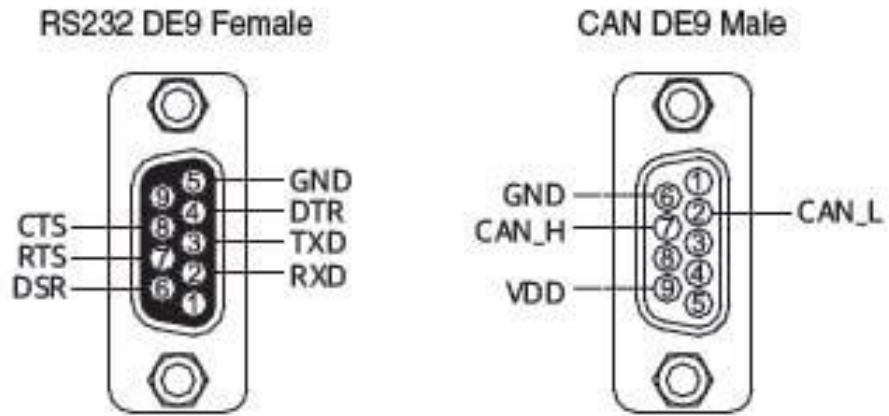
### SystemBase Co., Ltd.

16F, Daerung Post Tower-1, Digital-ro 288, Guro-gu, Seoul, Republic of Korea 08390

Tel +82-2-855-0501 | Fax +82-2-855-0580 | [www.sysbas.com](http://www.sysbas.com)

Specifications are subject to change without notice.

## Pin Specification



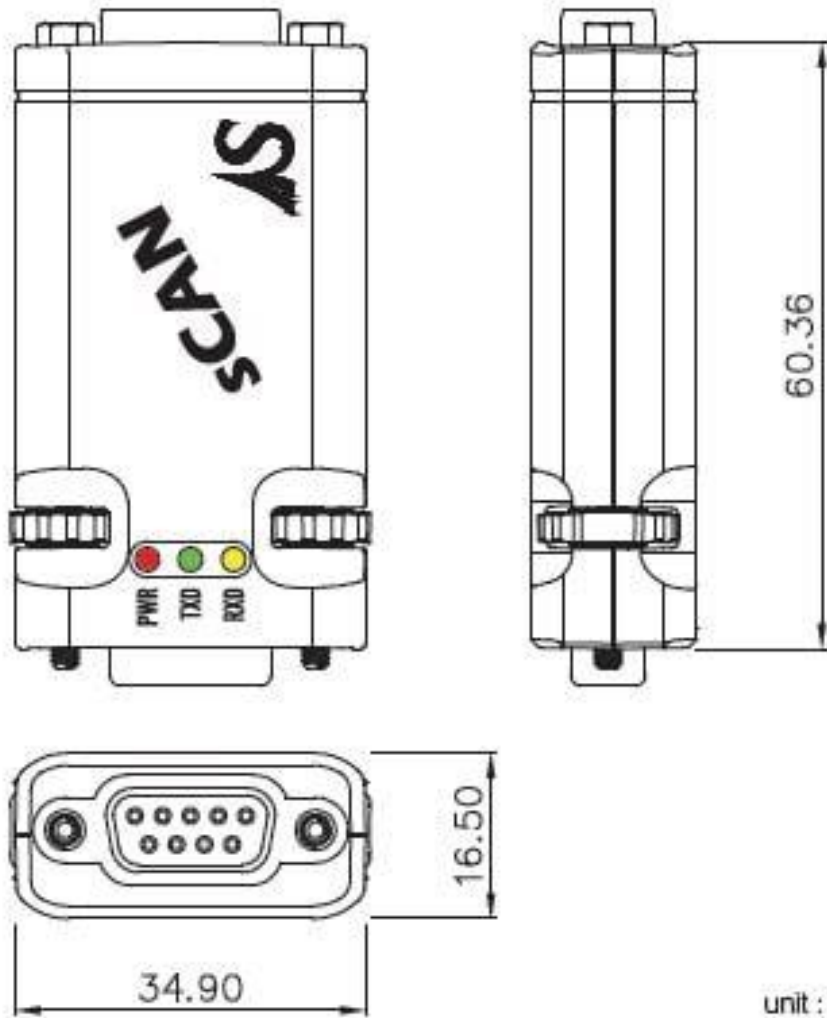
### SystemBase Co., Ltd.

16F, Daerung Post Tower-1, Digital-ro 288, Guro-gu, Seoul, Republic of Korea 08390

Tel +82-2-855-0501 | Fax +82-2-855-0580 | [www.sysbas.com](http://www.sysbas.com)

Specifications are subject to change without notice.

## Dimension



unit : mm

### SystemBase Co., Ltd.

16F, Daerung Post Tower-1, Digital-ro 288, Guro-gu, Seoul, Republic of Korea 08390

Tel +82-2-855-0501 | Fax +82-2-855-0580 | [www.sysbas.com](http://www.sysbas.com)

Specifications are subject to change without notice.