

BASSO-1010D2/ISO



Key Features

High Insulation and Protection

Provide ESD, Surge protection and 3kV insulation in compliance with IEC Standard standards.

Industrial Grade

Superior reliability and performance for use in poor industrial environments.

RS-232 Isolator Without External Power

A high-performance isolator that provides RS-232 communication without external power.

Overview

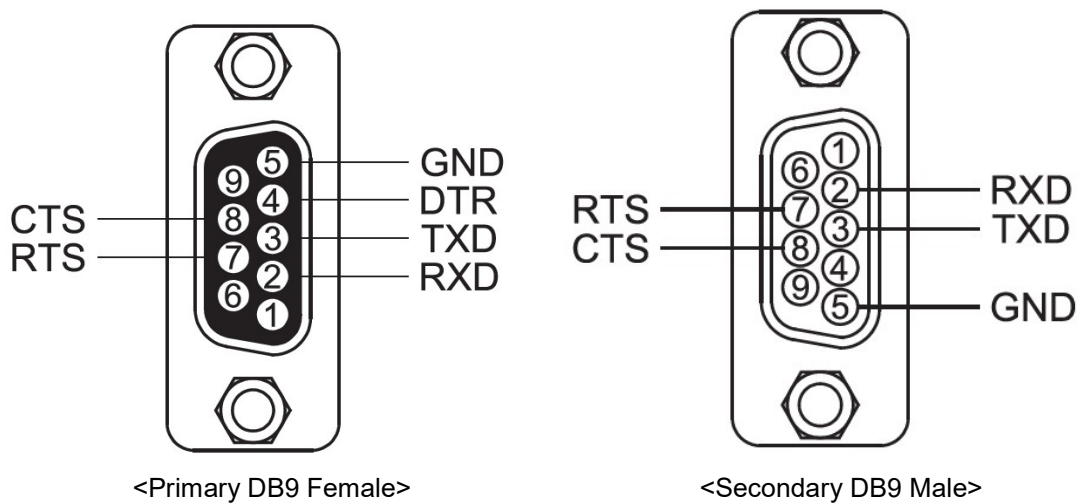
In factories or poor sites, noise or surges generated from outside and incoming along the communication lines frequently cause communication errors, and this continuous electrical shock poses the risk of damaging expensive equipment and facilities.

BASO-1010D2/ISO on the System Base is a product that provides high performance and reliability to maintain and utilize facilities and equipment by reducing failures or breakdowns through the built in protection against noise and surge incoming along the RS232 line.

Specification

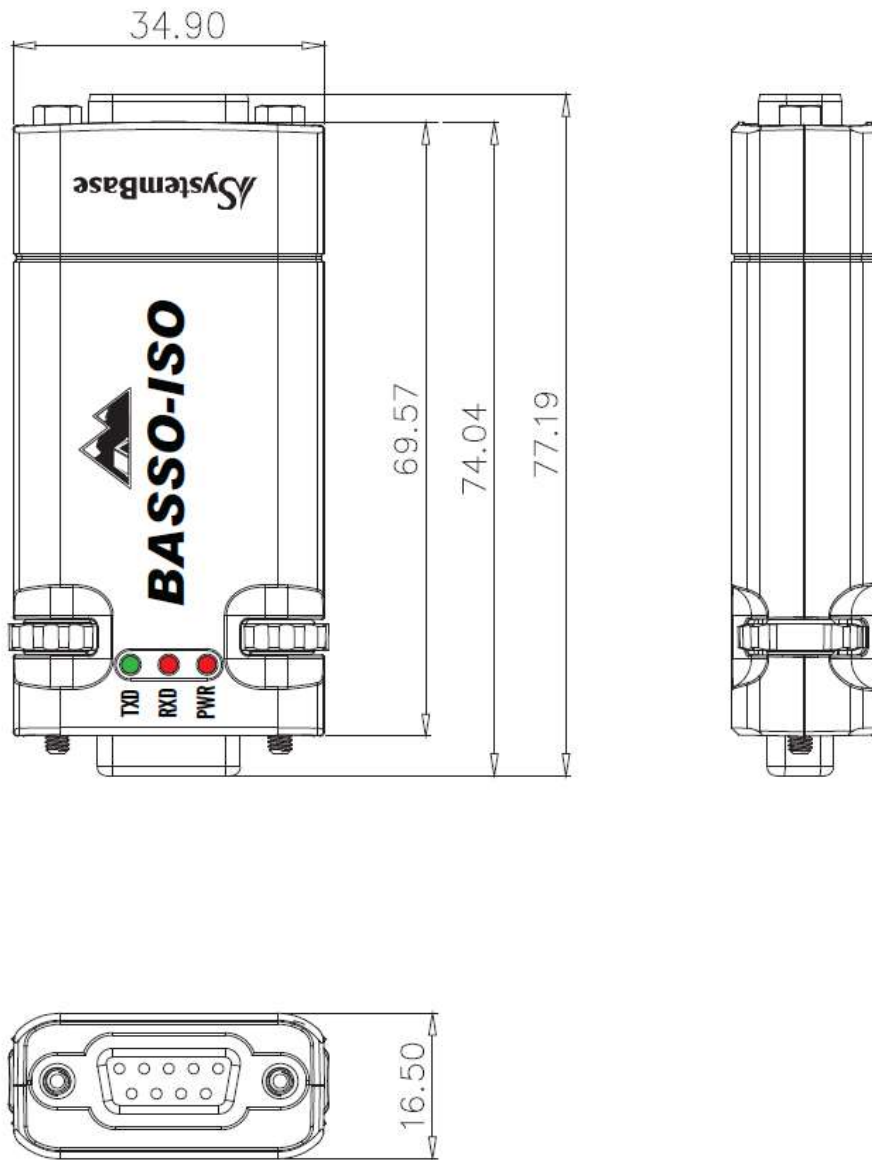
Serial	Standard	RS-232
	Serial Port	Primary: DCE(DB9 Female) Secondary: DTE(DB9 Male)
	Signals	TXD, RXD, RTS, CTS (DTR for Power source)
	Baud Rate	Max. 921.6kbps
Protection	ESD	Contact-Min: ±8kV Contact-Max: ±15kV Air-Min: ±15kV Air-Max: ±30kV
	Peak Pulse Current ($t_p = 8/20 \mu s$)	Max. 12A
	Peak Pulse Power ($t_p = 8/20 \mu s$)	Max. 350W
	Standards	IEC 61000-4-2 IEC 61000-4-4 IEC 61000-4-5
Hardware	Power Requirement	Default: No Power, Option: Pin no.9 (5~12V)
	LED	PWR(Red), RXD(Red), TXD(Green)
	Dimension (W x L x H)	34.9 x 77.4 x 16.5mm (1.37 x 3.05 x 0.65in)
	Weight	32.5g (1.15oz)
	Operating Temperature	-40 ~ 85°C (-40 to 185°F)
	Storage Temperature	-40 ~ 85°C (-40 to 185°F)
	Humidity	5~90% Non-condensing
Ordering Information		BASSO-1010D2/ISO

Pin Assignment



Pin No.	RS-232	
	Primary DB9 Female	Secondary DB9 Male
1	-	
2	RXD	RXD
3	TXD	TXD
4	DTR	-
5	GND	
6	-	-
7	RTS	RTS
8	CTS	CTS
9	PWR (Option: External Power 5~12V)	-

Dimension



(unit: mm)