

SG-2011DIL/ALL



Key Features

Remote Management

With the management program, PortView, all serial devices connected to SG can be monitored and managed in real-time. All input/output serial data can be tracked or saved as a file.

COM Redirection

Serial ports of SG connected by network can be used just like COM ports on the user's PC.

Optimized for Industrial Use

Supports industrial operating temperature and built-in $\pm 15\text{kV}$ IEC ESD protection.

SystemBase Co., Ltd.

16F, Daerung Post Tower-1, Digital-ro 288, Guro-gu, Seoul, Republic of Korea 08390

Tel +82-2-855-0501 | Fax +82-2-855-0580 | www.sysbas.com

Specifications are subject to change without notice.

Overview

SG-2011DIL can be used anywhere in the network to connect to serial device using the 9 pin D-sub interface with DE shell size. This device server supports maximum 921.6Kbps for the RS-232 or RS-232/422/485 serial interface. ModBus is supported also. The COM Redirector is provided for remote control, monitoring and data communication. The SerialGate family is ideal for POS, medical use, factory automation and building automation field.

SerialGate is a device server that connects existing devices with Ethernet network, supporting 1, 2, 4, 8, 16 ports of serial communication ports. SerialGate can be connected to POS (Point of Sale), different kinds of devices in the factories, where you can use your web browser to remotely support or monitoring/control/collect data. Therefore, it is a device server that can be used effectively for security, medical device control, manufacturing automation, mechanical control, processing monitor and so on.

Specification

Network	Protocol	TCP, UDP, Telet, ICMP, DHCP, TFTP, HTTP, SNMP, SSH, SSL, ModBus TCP
	LAN	1 port 10/100 Mbps RJ-45
	IP Address Assignment	Static IP, DHCP
Serial	Number of Ports	1 Serial Port
	Interface	RS232/422/485(DE9)
	Maximum Speed	921.6Kbps
	Signal Lines	RS232: TXD, RXD, DTR, DSR, CTS, RTS, DCD
		RS422: TXD+, TXD-, RXD+, RXD-
		RS485: TRXD+, TRXD-
	Data Bits	5, 6, 7, 8
	Stop Bits	1, 2
Parity Bits	None, Even, Odd	
Flow Control	RTS/CTS, XON/XOFF	
Hardware & Environment	LED	Ready, Serial
	Power Requirement	12VDC/1A Adapter (Screw Type), Terminal Block (VCC/GND/FGND), Consumption 2W
	Dimensions (W x L x H)	75.8 x 83.6 x 28.4mm 2.98 x 3.29 x 1.12in

SystemBase Co., Ltd.

16F, Daerung Post Tower-1, Digital-ro 288, Guro-gu, Seoul, Republic of Korea 08390

Tel +82-2-855-0501 | Fax +82-2-855-0580 | www.sysbas.com

Specifications are subject to change without notice.

	Weight	163.8 g (5.78oz)
	Operating Temperature	-40 ~ 85°C (-40 ~ 185°F)
	Humidity	5~95% Non-Condensing
Software	OS	Embedded Linux
	Management Tool	COM Port Redirector, PortView™, TestView™, SGConfig, Web, SNMP
	Configuration	Web Browser, SSH, Telnet, SGConfig
	Security	SSH
	O/S Support	Windows 7 or later, Windows Server 2008 or later
Ordering information		SG-1160/ALL

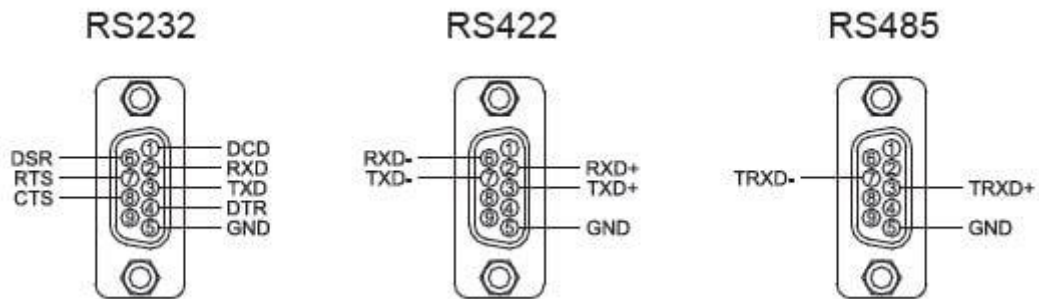
SystemBase Co., Ltd.

16F, Daerung Post Tower-1, Digital-ro 288, Guro-gu, Seoul, Republic of Korea 08390

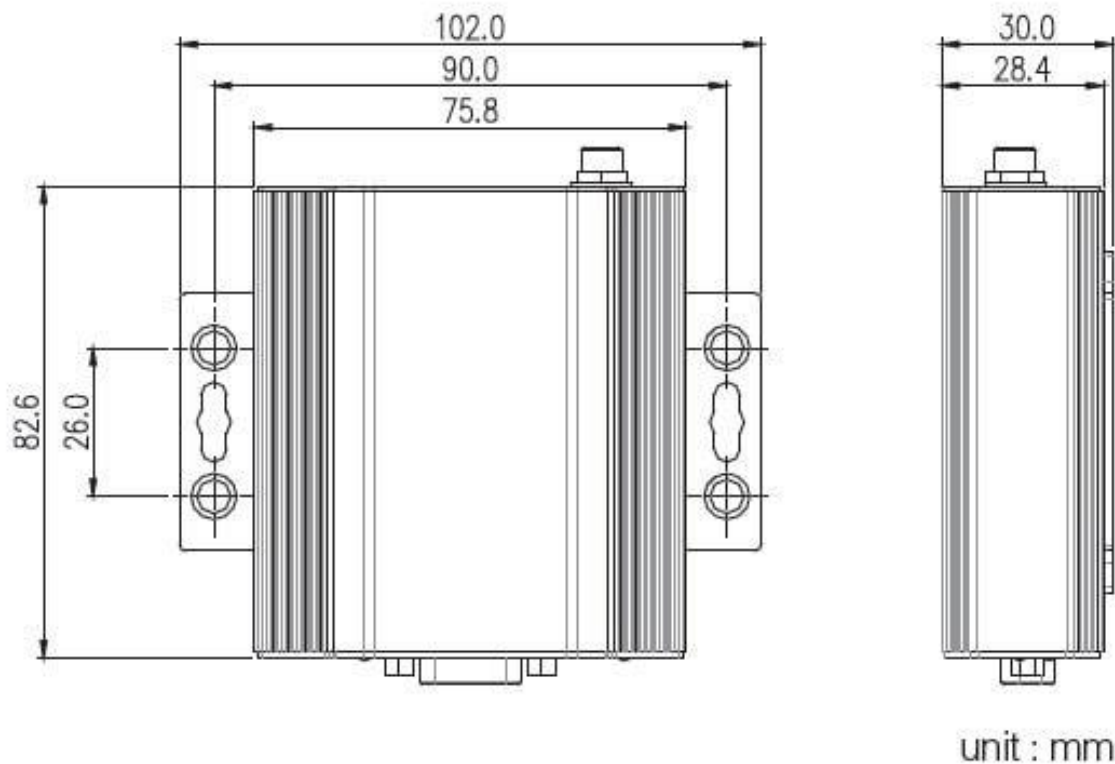
Tel +82-2-855-0501 | Fax +82-2-855-0580 | www.sysbas.com

Specifications are subject to change without notice.

Pin Specification



Dimension



SystemBase Co., Ltd.

16F, Daerung Post Tower-1, Digital-ro 288, Guro-gu, Seoul, Republic of Korea 08390

Tel +82-2-855-0501 | Fax +82-2-855-0580 | www.sysbas.com

Specifications are subject to change without notice.