

# Multi-1/USB RS232



## Key Features

### Latching USB Cable Applied

Latch-locking connector on USB cable protects the connection from accidental detachment by external shock.

### 15kV Surge Protection

A built-in 15kV surge protection function enables preventing circuit breakage from ESD or external surges.

### TX/RX LED

Communication error and operation status can be intuitively identified through LED.

## SystemBase Co., Ltd.

16F, Daerung Post Tower-1, Digital-ro 288, Guro-gu, Seoul, Republic of Korea 08390

Tel +82-2-855-0501 | Fax +82-2-855-0580 | [www.sysbas.com](http://www.sysbas.com)

Specifications are subject to change without notice.

## Overview

Multi-1/USB RS232 is a USB to Serial converter which adds RS232 serial port using USB ports on PCs, smartphones and tablets. PnP function of USB supports easy installation/remove and LED as an indicator for the communication status makes it easy to check the operation from outside. No additional power supply is required.

## Specification

|                      |                       |   |
|----------------------|-----------------------|---|
| <b>USB</b>           | USB Interface         | USB 2.0 Full-Speed                                  |
|                      | Cable                 | Latching Connector applied, 0.6m(1.96ft)            |
| <b>Serial</b>        | Interface             | RS232   |
|                      | Number of Ports       | 1   |
|                      | Maximum Speed         | 921.6Kbps   |
|                      | Signal Lines          | RS232: TXD, RXD, RTS, CTS, DTR, DSR, DCD, RI        |
|                      | Parity bit            | None, Even, Odd                                     |
|                      | Flow control          | RTS/CTS, XON/XOFF                                   |
|                      | Protection            | 15kV ESD Protection                                 |
| <b>Hardware</b>      | Controller            | FT232R  |
|                      | Connector             | DE-09P (DB-9 male)                                  |
|                      | LED                   | TXD, RXD  |
|                      | Dimension (W x L x H) | 49.0 x 39.0 x 16.3mm<br>1.93 x 1.54 x 0.64in        |
|                      | Weight                | 90g (3.17oz)  |
|                      | Operating Temperature | 0 ~ 50°C (32 ~ 122°F)                               |
|                      | Storage Temperature   | -20 ~ 80°C (-4 ~ 176°F)                             |
|                      | Humidity              | 5~90% Non-condensing                                |
| <b>Software</b>      | Supported OS          | Windows 7 or above, Windows Server 2008/2012, Linux |
|                      | Utility               | TestView  |
| Ordering Information |                       | Multi-1/USB RS232 V4.0                              |

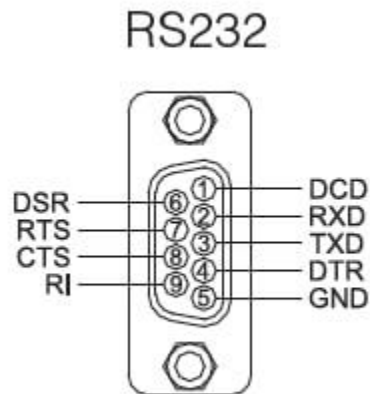
### SystemBase Co., Ltd.

16F, Daerung Post Tower-1, Digital-ro 288, Guro-gu, Seoul, Republic of Korea 08390

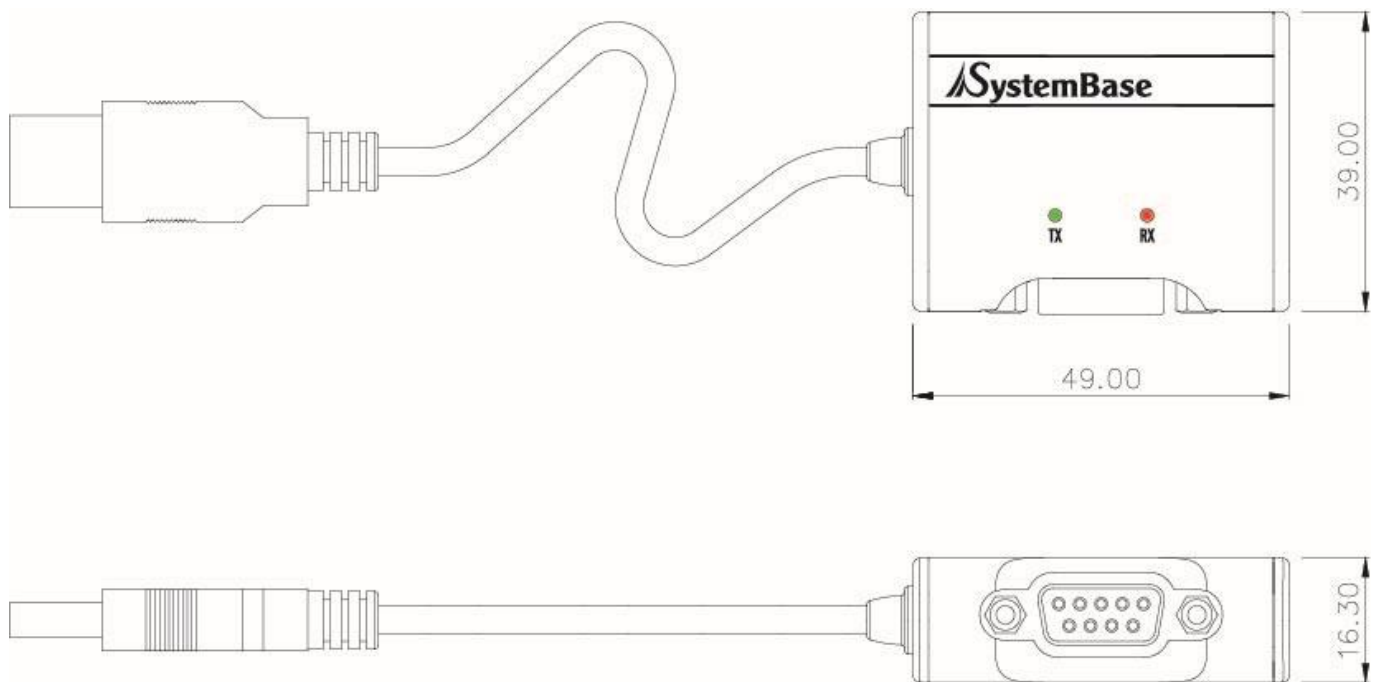
Tel +82-2-855-0501 | Fax +82-2-855-0580 | [www.sysbas.com](http://www.sysbas.com)

Specifications are subject to change without notice.

## Pin Specification



## Dimension



\*Cable Length 0.6m(1.96ft)

unit: mm

### SystemBase Co., Ltd.

16F, Daerung Post Tower-1, Digital-ro 288, Guro-gu, Seoul, Republic of Korea 08390

Tel +82-2-855-0501 | Fax +82-2-855-0580 | [www.sysbas.com](http://www.sysbas.com)

Specifications are subject to change without notice.