

sLAN/all-PoE



Key Features

COM Port Redirection

The virtual serial port of network-connected sLAN/all PoE can be used as a COM port on a PC.

RS232/422/485

It supports serial communication specification RS232/422/485 with a speed up to 921.6 Kbps.

Easy Configuration

It supports easy setup and testing using Web and setup utility.

Overview

sLAN/all PoE is a small Ethernet converter which provides Ethernet wired communication and Power over Ethernet (PoE) for serial equipment supporting RS232/422/485. The communication standard supports IEEE 802.3 10/100 Base-TX, IEEE 802.3af. It is equipped with serial standard DB9 connector, providing easy-to-apply gateway function to RS232/422/485 compliant equipment. Maximum communication speed is 921.6Kbps for serial and 100Mbps for Ethernet.

sLAN/all PoE provides COM Port Redirector program that supports remote control, monitoring, and data communication of devices connected over the network(TCP/IP), also allowing connected serial devices to be used immediately without any program modification.

Specification

Ethernet	Ethernet	10/100Mbps RJ45 Port x 1
	LAN Port	Static IP, Dynamic IP
	Protocol	TCP, UDP, ICMP, DHCP, HTTP, IPv4
	Power over Ethernet(PD)	IEEE 802.3 10/100 Base-TX , IEEE 802.3af
Serial	Serial Port	1port DE-9 Male
	Interface	RS232/422/485
	Maximum Communication Speed	921.6Kbps
	Signal	RS232: TXD, RXD, RTS, CTS, DTR, DSR, DCD, RI
		RS422: TXD+, TXD-, RXD+, RXD-
		RS485: TRXD+, TRXD-
	Data Bit	5, 6, 7, 8
	Stop Bit	1, 2
	Parity	None, Even, Odd
Flow Control	RTS/CTS, XON/XOFF	
Software	OS	RTOS
	Operation Mode	COM Redirector, TCP Server,/Client, UDP Server/Client,
	Utility	Redirector, TestView, SGConfig

	Configuration & Management	Web, SGConfig
Hardware	LED	RDY(Yellow), TXD(Green), RXD(Red)
	Power	USB 5V Input, PoE 48V Input, Max 12.95W
	Power Connector	Micro USB B
	Dimension (W x L x H)	54.5 x 102.5 x 24.5mm (2.15 x 4.04 x 0.96in)
	Weight	79g (2.79oz)
	Operating Temperature	-40 ~ 85°C (-40 ~ 185°F)
	Operating Temperature (PoE)	-20 ~ 70°C (-4 ~ 158°F)
	Humidity	5 ~ 95% Non-condensing
	LED	RDY(Yellow), TXD(Green), RXD(Red)
Ordering Information		sLAN/all PoE

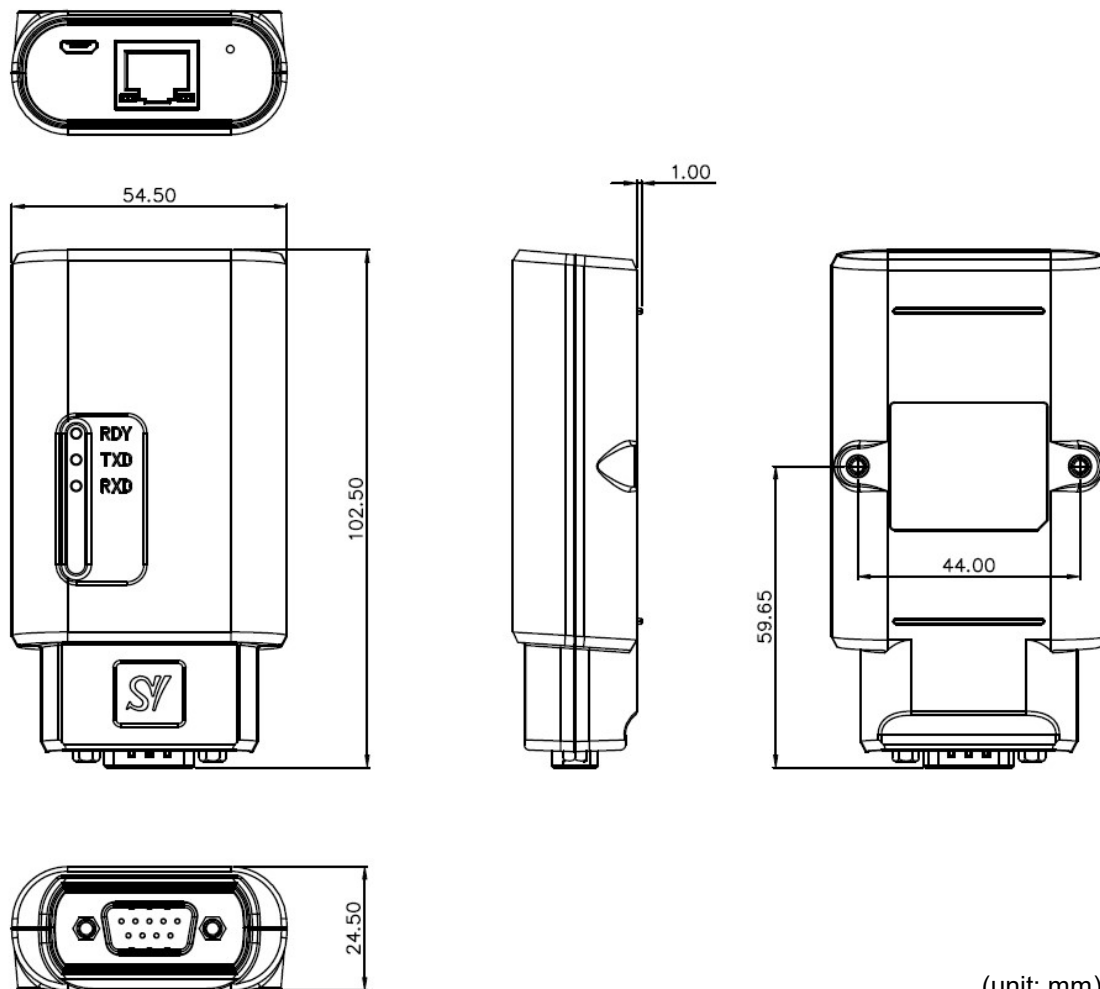
Reset Button

Function	Operation	Result
Warm Booting	Press button less than 3 seconds	Restart sLAN/all PoE
Factory Default	Press button more than 3 seconds	Reset sLAN/all PoE settings

Package

sLAN/all(Micro-USB)	sLAN/all PoE, LAN cable, Ejector pin
---------------------	--------------------------------------

Dimension



(unit: mm)

Pin Assignment

