

TALUS



Key Features

Support Bluetooth 4.0 and USB 2.0

Supporting Bluetooth 4.0 and USB 2.0, it can be used in most environment easily to provide high performance wireless network solution.

Working distance 100m

While supporting 'Class 1', with using patch antenna, it can communicate up to 1km in distance. The EDR (Enhanced Data Rate) feature allows communication speed of 3Mbps maximum.

Support AFH (Advanced Frequency Hopping)

AFH provides the best wireless connection after detecting surrounding wireless environment for users to use the product in highly stable and reliable wireless communication environment.

SystemBase Co., Ltd.

16F, Daerung Post Tower-1, Digital-ro 288, Guro-gu, Seoul, Republic of Korea 08390

Tel +82-2-855-0501 | Fax +82-2-855-0580 | www.sysbas.com

Specifications are subject to change without notice.

Overview

TALUS is a 'Class 1' type Bluetooth adapter supporting USB 2.0. Since it supports Bluetooth 4.0 + EDR (Class 1), it can communicate up to 1km with data communication speed of maximum 3Mbps.

Providing AFH (Advanced Frequency Hopping) feature, interference with Wi-Fi is minimized. When using this with WCS-232, it allows WCS-232 to be highly stable and reliable, in the field when configuring a wireless communications network

Specification

Bluetooth	Standards	Bluetooth 4.0 Class 1
	Frequency Range	2.402 ~ 2.480GHz
	Transmit Output Power	+19dBm (+6dBm EDR) E.I.R.P
	Receive Sensitivity	Basic 1Mbps: -90 dBm EDR 2Mbps: -88 dBm EDR 3Mbps: -86 dBm
	Antenna Connector	RP-SMA
	Antenna Gain	Stub Antenna: 1 dBi
	Working Distance (In Open Field)	Stub antenna – Stub antenna: 300 m ※ working distance can vary depending on install environment
	Bluetooth Stack	BlueSoleil
	Bluetooth Profiles	DUN, FAX, SPP, HID, FTP, OPP, A2DP, AVRCP, HSP, HFP, PAN, BPP
	OS Support	Windows XP/Vista/7/8/8.1 (32/64bit) Linux (3rd party driver is required) MAC OS X (MAC OS X driver is required)
Hardware	Bus Interface	USB 2.0 (Full Speed)
	Connector Type	USB Type A (Male)
	Dimension (L x W x H)	100.7 x 22.0 x 11.0mm (3.97 x 0.87 x 0.4inch)
	Weight	22g (0.78oz)
	Operating Temperature	-20 ~ 70°C (-4 ~ 158°F)

SystemBase Co., Ltd.

16F, Daerung Post Tower-1, Digital-ro 288, Guro-gu, Seoul, Republic of Korea 08390

Tel +82-2-855-0501 | Fax +82-2-855-0580 | www.sysbas.com

Specifications are subject to change without notice.

	Humidity	90% Non-condensing
	Certification	FCC, CE, MIC(TELEC), KC
Ordering Information		TALUS v2.0

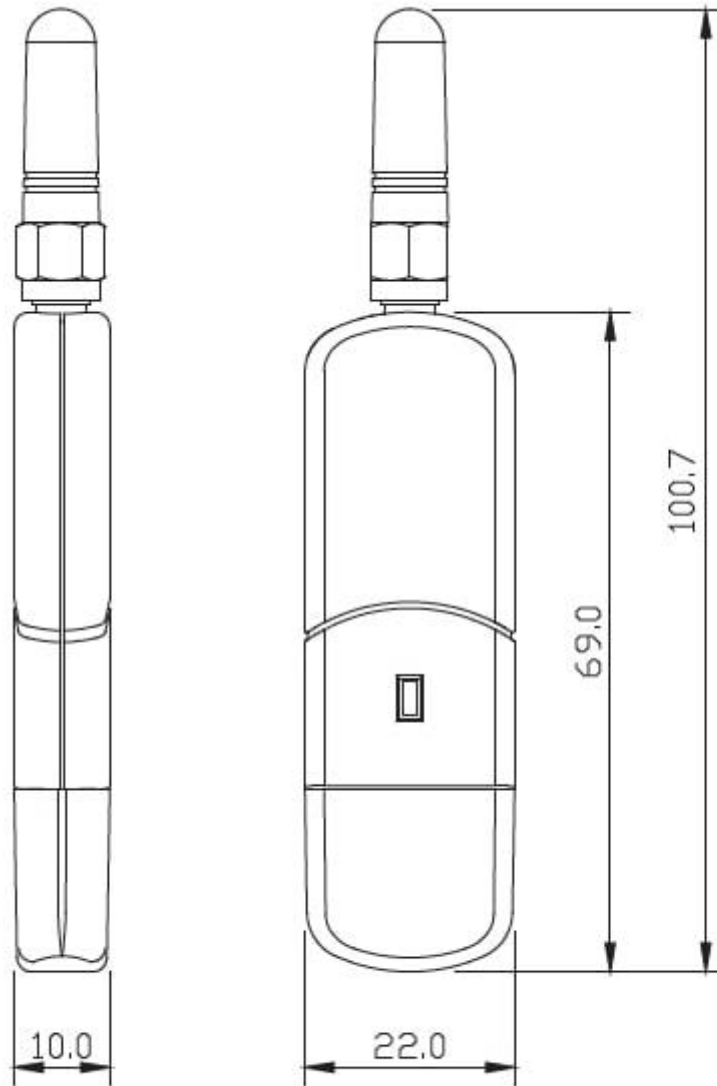
SystemBase Co., Ltd.

16F, Daerung Post Tower-1, Digital-ro 288, Guro-gu, Seoul, Republic of Korea 08390

Tel +82-2-855-0501 | Fax +82-2-855-0580 | www.sysbas.com

Specifications are subject to change without notice.

Dimension



unit : mm

SystemBase Co., Ltd.

16F, Daerung Post Tower-1, Digital-ro 288, Guro-gu, Seoul, Republic of Korea 08390

Tel +82-2-855-0501 | Fax +82-2-855-0580 | www.sysbas.com

Specifications are subject to change without notice.