

## FAQs

### Why Giddel?



Giddel is The World's First Toilet Cleaning Robot. Giddel is portable and cleans multiple round and elongated toilets in North America. Plug & Play with the press of a button. Giddel cleans systematically from the top of the rim, the inner rim, under the rim and the entire bowl while being suspended over the toilet in a hygienic antimicrobial body. Giddel comes with a free toilet seat. Winner of TWICE Picks Award, Consumer Electronics Show (CES) 2018.

Giddel is a great aide for seniors, when toilet cleaning becomes difficult due to back, knee, ankle, neck pain and injuries. Various health conditions can cause chronic or persistent diarrhea which require a higher toilet cleaning frequency than janitorial services can provide. Some diarrhea inducing conditions include Crohn's disease, colitis, celiac disease, gastroenteritis, inflammatory bowel syndrome, diverticulosis, infections, chronic kidney disease, diabetes mellitus, colorectal cancer, chronic pancreatitis, various medications and their long-term use, allergies, lactose intolerance, chemotherapy, and abdominal surgery.

Giddel takes the stress away from the human by cleaning the toilet as many times as needed. Giddel also prevents human contact with potentially infectious toilets (e.g. norovirus on toilets can be infectious). Save labor costs, worker disgust and improve the quality of life of everyone concerned by automating toilet cleaning with Giddel.

### Can I clean multiple toilets with Giddel?

Yes absolutely! Giddel is a compact, lightweight and cordless robot, so you can easily take it to every bathroom in your home to make every toilet spotless.

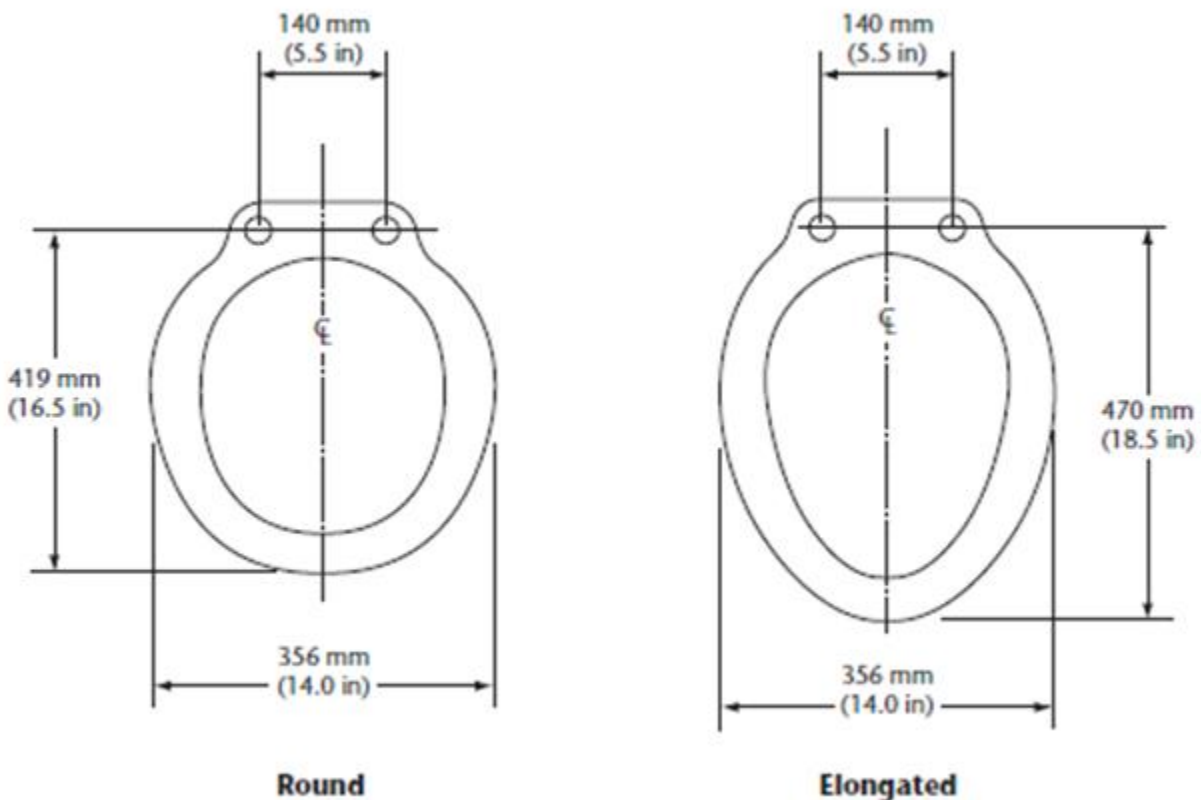
## FAQs

### Will Giddel fit my toilet?

If you have a standard round or elongated toilet, Giddel will **most likely** fit and clean your toilet. There exist some *rare* exceptions, such as some geriatric and bariatric toilets for which Giddel was not designed.

How do I know if I have a standard round or elongated toilet?

Standard toilets measure 5 1/2" between toilet seat holes and approximately 16" (for Round shape) or 18" (for Elongated shape) in perpendicular distance, from their mid-point to the toilet bowl front. Please see the Figure (top view of the toilet bowl) below:



If you get these measurements roughly, then Giddel should fit your toilet(s).

## FAQs

### How do I install Giddel?

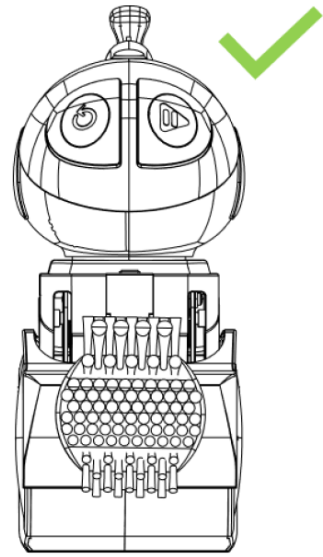
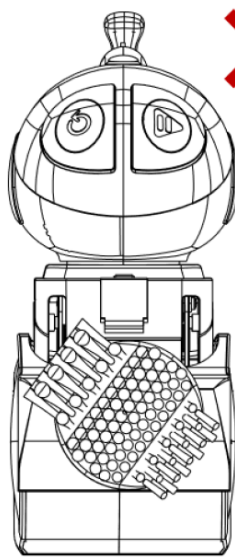
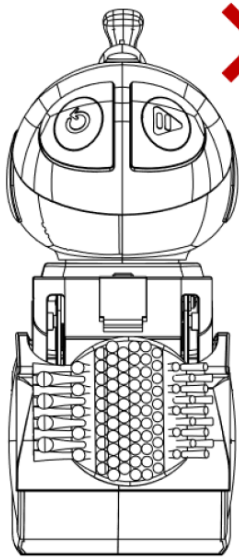
Play the video below (also available <https://youtu.be/mUvpRT3TNrs>)



## FAQs

### How do I screw the brush onto Giddel properly?

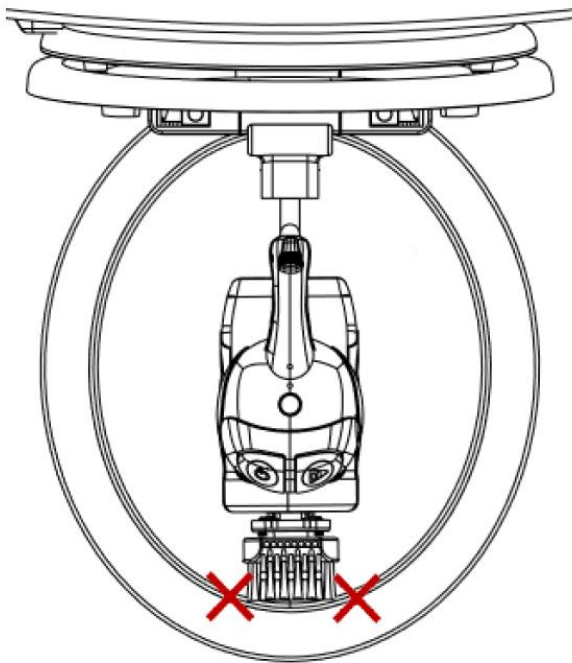
Screw a Cleaning Brush in a clockwise direction onto the male thread of the Telescopic Arm, until it clicks into place in a **vertical** orientation



## FAQs

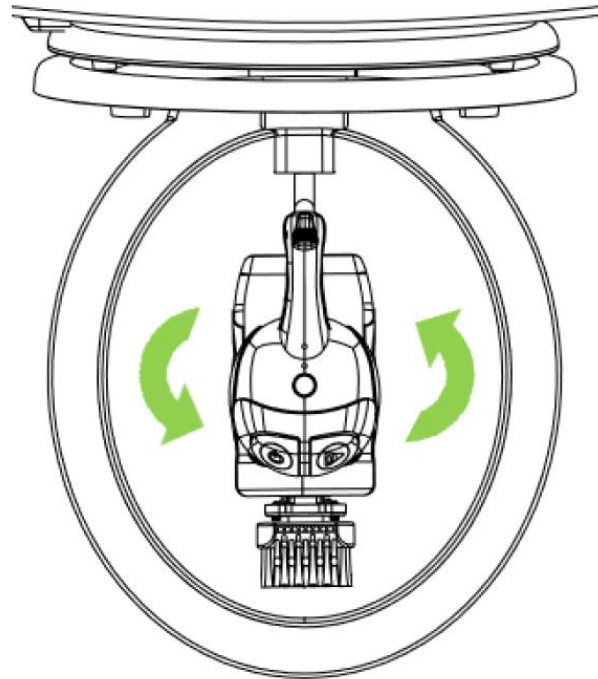
### How do I know the Mounting Bracket is installed correctly?

The Mounting Bracket is installed correctly if Giddel + Cleaning Brush is free to rotate with NO interference from the Inner Rim or Bowl.



#### **Rotation Interference**

Mounting Bracket NOT installed correctly



#### **No Rotation Interference**

Mounting Bracket Correctly Installed

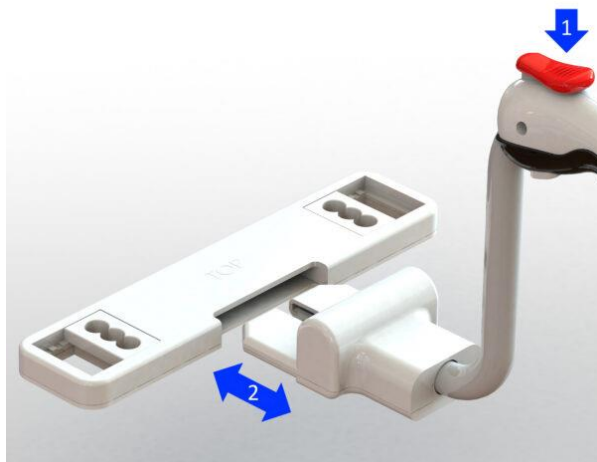
## FAQs

### How to clean my toilet with Giddel?

Giddel is essentially Plug & Play & Walk Away!

Begin by placing your regular toilet bowl cleaner in the toilet bowl.

Plug in Giddel and press play.



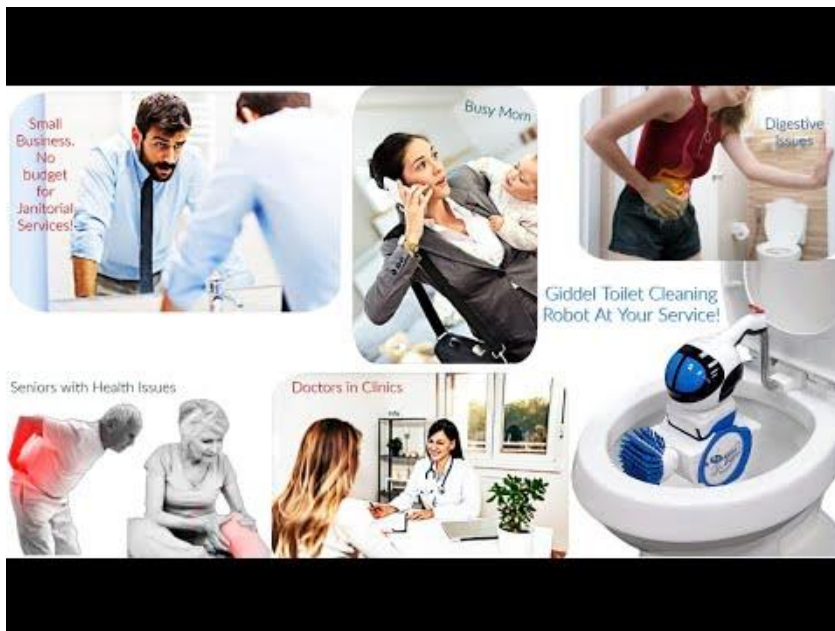
## FAQs

At the beginning of each cleaning cycle, Giddel extends it's arm and touches different surface points to calibrate Giddel's advanced sensors to map the surfaces of the toilet for an optimal clean.



Giddel cleans systematically from least dirty to increasingly dirty regions starting at the top of the toilet rim, the inner rim, under the rim and all the way down the entire toilet bowl, all in a few minutes.

Once the cleaning cycle is complete and Giddel has moved back to it's starting position, press the red release button to unplug Giddel and place it in it's charging station for storage or take Giddel to another toilet to clean.



## FAQs

### Do I have to clean the robot?

The Giddel robot is suspended over the toilet never itself contacting the toilet except for the replaceable brush. The Giddel robot is doped with antimicrobial compounds. Considering both facts above, Giddel stays hygienic. If you wish, whenever you want, you may clean the robot with a dry and/or damp and/or antimicrobial wipe.

The Giddel brushes are cleansed with the toilet bowl cleaning liquid and rinsed out at the end of each toilet cleaning cycle. The Giddel brushes are very durable and long lasting. If they should become noticeably dirty, the Giddel brushes are replaceable.





## FAQs

### Can I use any toilet bowl cleaner with Giddel?

Giddel is compatible with regular toilet bowl cleaner (see the Giddel manual for details). Place the toilet bowl cleaner in the toilet bowl and then plug in Giddel and press Play.

### How do I store Giddel?

When Giddel is not cleaning the toilet, store Giddel in it's charging station.



## FAQs

### How do I charge Giddel?

Connect the charging station to a power outlet via the provided power plug. Ensure Giddel's power switch is off. Place Giddel in the charging station so that the metal plate under Giddel's handle "clicks" with the charging station connector pins. The power plug light should light red while charging and green when charged.



### Are my kids and pets safe around Giddel?



At Altan Robotech, the safety of your family is of utmost importance to us. That's why we've included safety features such as the Giddel safety switch, so that Giddel will not turn on unless it is mounted securely in the toilet. Giddel's obstacle detection and navigation functionality makes Giddel child and pet-friendly.

## FAQs

### Should I fill Giddel's reservoir with soap?

The use of Giddel's reservoir is entirely optional. Using the refill bottle, you may pour water into the reservoir. Do not fill to the brim to avoid spilling. During cleaning the water from the reservoir exits through the robot arm and the brush onto the toilet rim surface to clean off any dirt or toilet bowl cleaning liquid from the rim.

Do not fill Giddel's reservoir with soap or other cleaning agent if you have placed toilet bowl cleaner in the toilet. This is because the two different cleaning agents will react, releasing a noxious smell.

You may fill the reservoir with either water or a thin disinfectant, as long as no other cleaning agents are in the toilet.



### What quality certifications does Giddel have?

FCC, CE, BC, UN 38.3

### How long will Giddel last?

Giddel has a free 1 year limited manufacturing warranty. Giddel has been tested under laboratory conditions to clean 3 toilets once a week for three years! Actual operating conditions may produce different results.