



UbiTrack

Goods Positioning

Tag II-

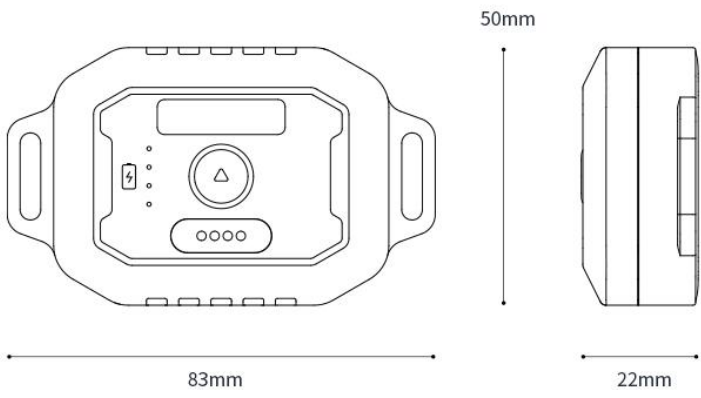
TG2 (Demolition Alert)

UbiTrack-TG2

Product manual

Product Introduction

UbiTrack-TG2 is a lightweight positioning tag with multiple installation modes, and can be attached to a helmet or other objects and enable you to accurately track people or goods. It also has demolition prevention alert function to help you with device management.



Equipment parameters

- UWB Operating Frequency: 3.5GHz-6.5GHz
- UWB Transmitting Power: 0-33.5dB (Adjustable)
- Power Supply: Rechargeable 1000mAh lithium battery
- Battery Life: 1-4 months(1Hz)
- Operating Temperature: -20°C to 55°C
- Operating Humidity: 10-90%
- Dimensions: 3.27"× 1.97"× 0.87" (83mmx50mmx22mm)
- Optional Functions: Messages, voice, SOS, demolition prevention alert, etc.

Installation method

■ Helmeted Installation

- ① 3M adhesive fixation
- ② Strap



■ Normal Installation

- ① Screws
- ② Ties
- ③ Magnet adsorption /3M adhesive fixation



Warranty Information

The basic functions of short circuit protection and manual closing and opening are warranted for three years from the original purchase date, and other functions for one year. During the warranty period, the fault caused by the product quality problems under normal use will be given a free maintenance. The shipping cost of the repaired products shall be borne by the sender.

The following situations will not be covered by the warranty:

- ① Issues arising after the warranty period has ended.
- ② Failure or damage to the product caused by incorrect or improper operation not in accordance with the instructions.
- ③ Accidental or human-induced damage to the product, such as exceeding the temperature and humidity range of the device, immersion in water, dropping, abnormal external impact, deformation, cable damage, etc
- ④ Natural wear and aging of materials
- ⑤ Failure or damage caused by unauthorized removal of the product
- ⑥ Failure or damage caused by force majeure
- ⑦ Other faults or damage not caused by product design, technology, manufacturing, quality, etc

Please use and wear it in the correct way. Do not use excessive force or sharp tools to operate the equipment.

Please use the supplied data cable to charge. When not in use, please ensure that the data cable does not absorb other metals to avoid short circuit.



UbiTrack