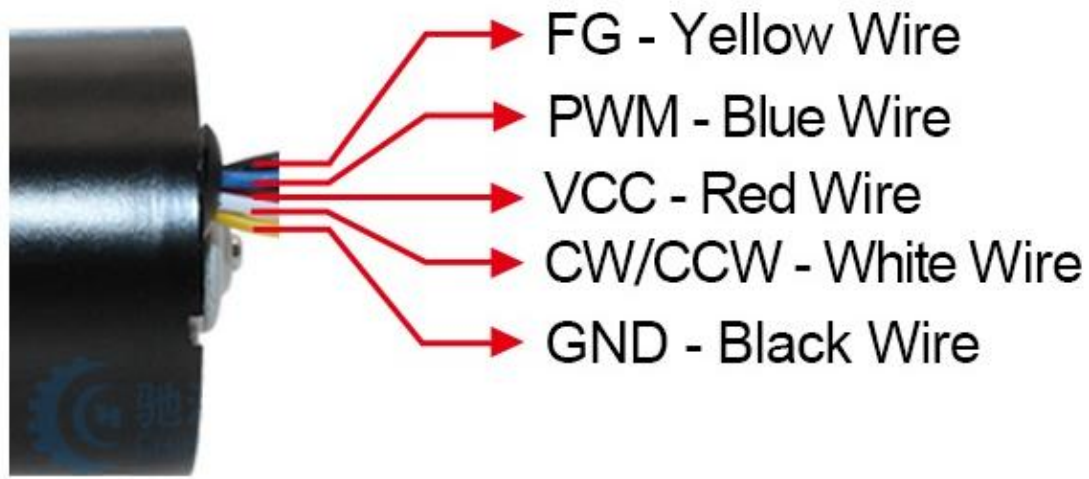


Model : 36PG-3625BL

Voltage : 24V

Model	L	No-load		Rated		
	mm	Speed rpm	Current mA	Speed rpm	Current A	Torque Kg.cm
36PG-3625BL-5	26.5	1050	< 160	805	< 0.4	0.7
36PG-3625BL-19	34.5	290	< 160	220	< 0.4	2.5
36PG-3625BL-27	34.5	200	< 160	155	< 0.4	3.5
36PG-3625BL-51	42.5	110	< 160	82	< 0.4	6.5
36PG-3625BL-100	42.5	55	< 160	42	< 0.4	13
36PG-3625BL-139	42.5	40	< 160	30	< 0.4	18
36PG-3625BL-515	50.5	10.5	< 160	8	< 0.4	50



PIN-NO.	信號 SIGNAL	I/O	規格 SPECIFICATIONS	備註 NOTE
PWM 控制				
PWM Control(blue wire) 60K MAX Typical(10K-30K)				
1	輸入電壓範圍 Input Voltage Range	IN	0-5V (10K-30K)	High-motor OFF Low-motor ON
	VIH		2.0V Min.or open	
	VIL		0.8V Max	
2	GND (black wire)接地負極	IN	Power Ground	Power Ground
CW/CCW 控制 Control (white wire)				
3	電壓範圍 Input Voltage rotation	IN	0-5V	High-motor CCW Low-motor CW
	VIH		2.0V Min.or open	
	VIL		0.8V Max	
FG 測速信號 (yellow wire)				
4	VOH	OUT	6.0V Max	Hall Signal Pulse Outputs
	VOL		0.5V Max	
	FG Singnal Current		2 mA	
	Pulse Outputs of Rotation		6Pulse/cycle	
5	Vm VCC (red wire)	I/N	DC 12V / 24V	Power Vcc