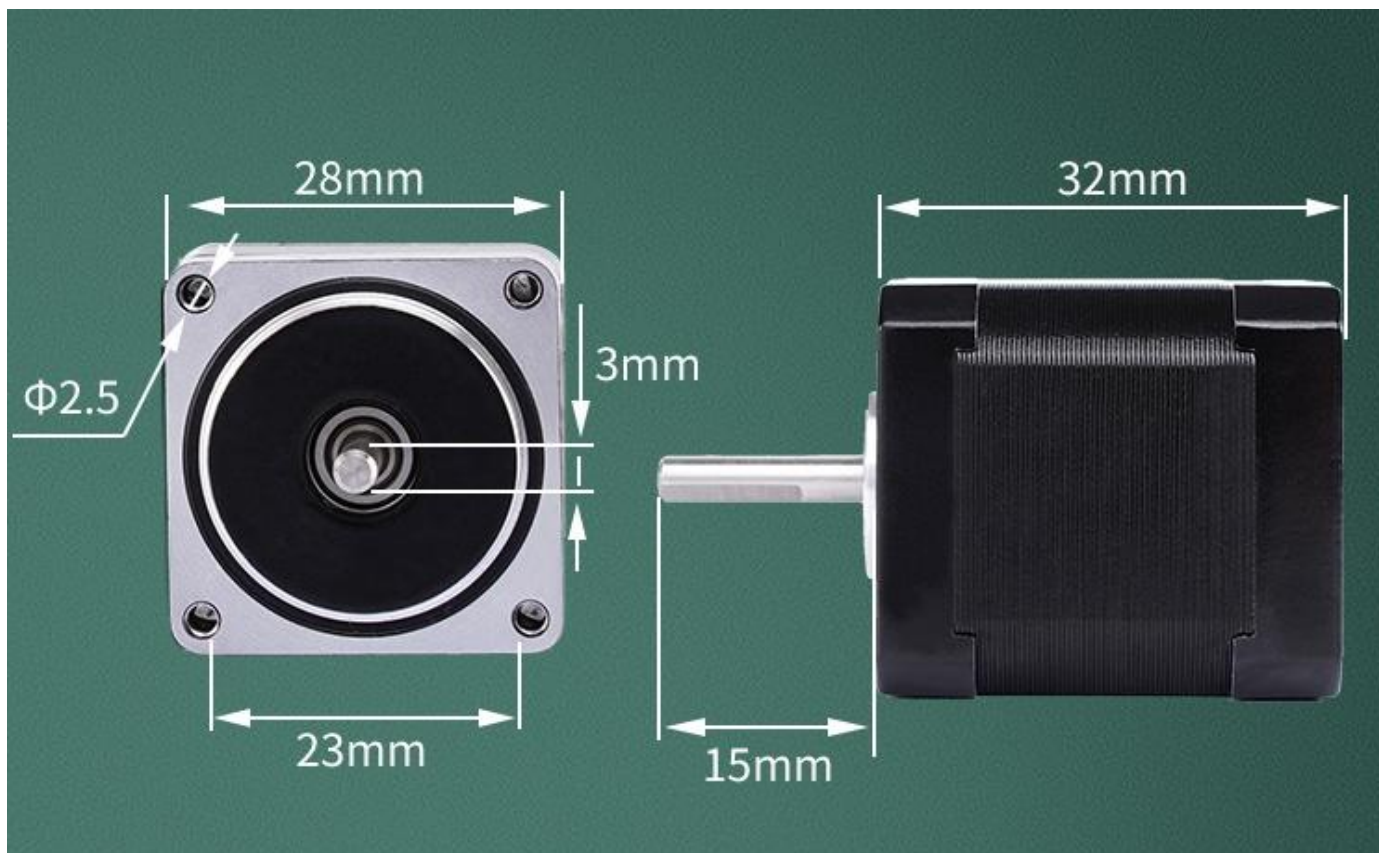


## 28BYG stepper motor , 24V DC



<b>Model</b>	28BYG
<b>Holding Torque</b>	0.06 N.m
<b>Current</b>	0.45 A
<b>Step Angle</b>	1.8°
<b>Insulation class</b>	B ( 130℃)
<b>Working Environment</b>	-20 to 50 °C < 85% Humidity
<b>Temperature rise</b>	< 80 °C
<b>Radial runout</b>	0.050T.1.R(MM)
<b>Radial movement</b>	0.02MM Max.(500GF)
<b>Axial movement</b>	0.08MM Max.(500GF)



**DONGGUAN E-S MOTOR CO.,LTD**

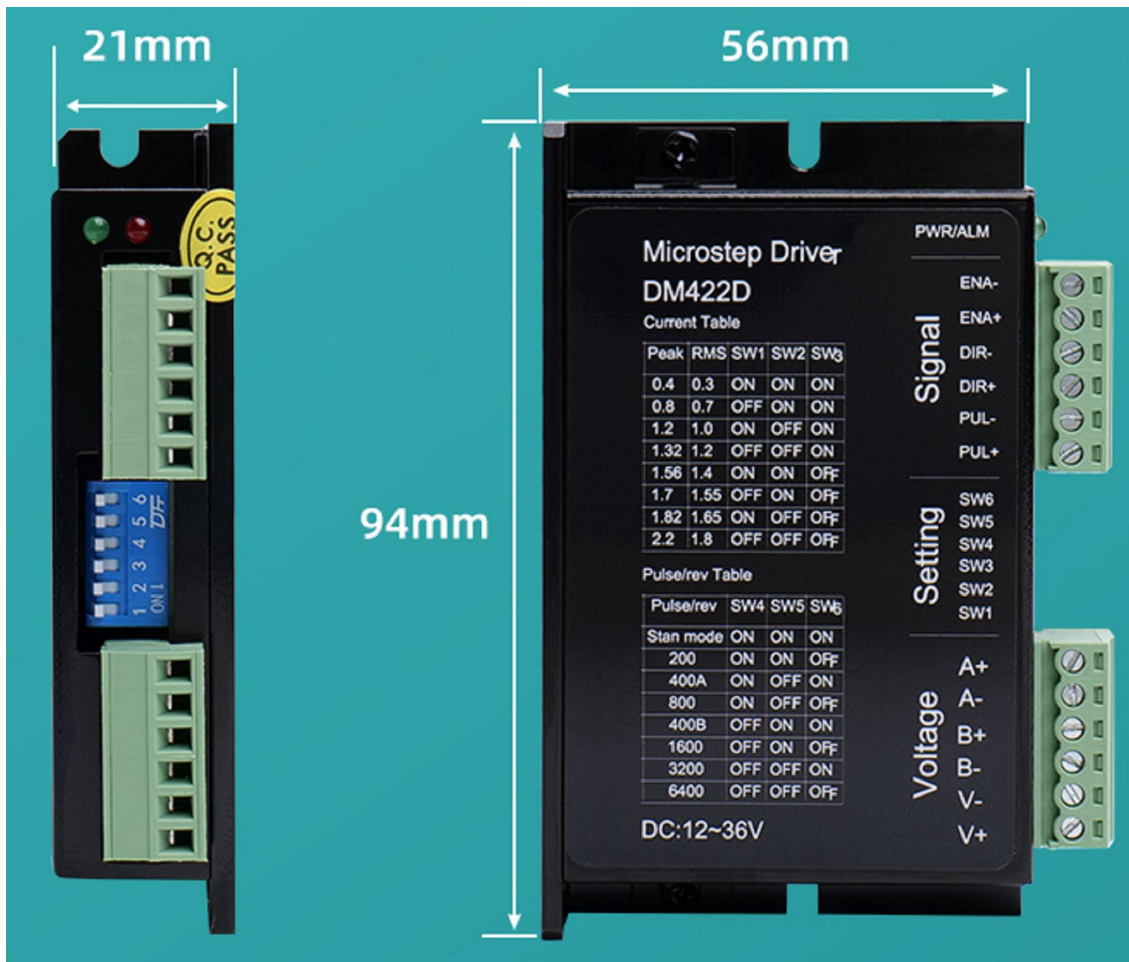
Precision Works, Professional Transmission

Tel : 86.135.3263.9595

E-Mail : sales@e-smotor.com

www.e-smotor.com

## 28BYG stepper motor driver



<b>Voltage input</b>	DC 12 ~ 36V, rated 24V
<b>Current</b>	0.4 ~ 2.2A
<b>Signal voltage input</b>	5 ~ 24V
<b>Max. Response frequency</b>	200K PPS
<b>Speed range</b>	Max. 1000 RPM 0 ~ 600 RPM is recommended



**DONGGUAN E-S MOTOR CO.,LTD**

Precision Works, Professional Transmission

Tel : 86.135.3263.9595

E-Mail : sales@e-smotor.com

www.e-smotor.com

# Wires connection

