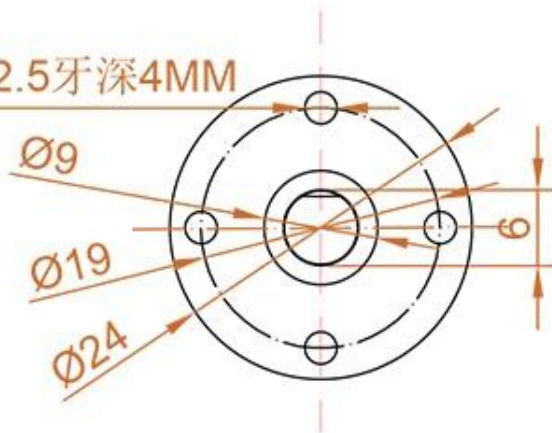
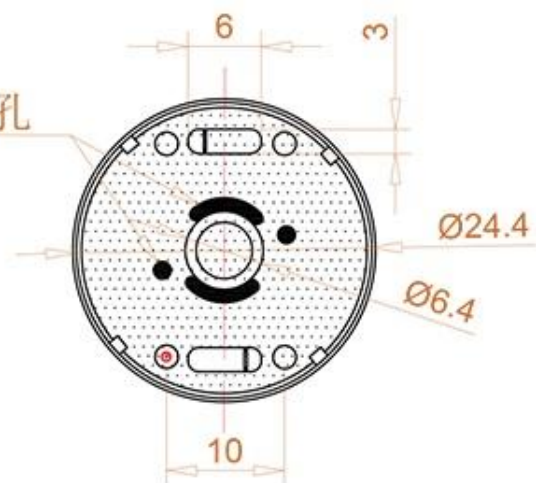


4* $\varnothing 2.5$ 牙深4MM



通孔



24PG-370CA-0685 gear motor , 6V DC, Rated Power 7 watt

Model	Gear ratio	Gearbox Length (L)	No-load		Rated			At Stall	
			Speed rpm	Current A	Speed rpm	Current A	Torque Kg.cm	Torque Kg.cm	Current A
24PG-370CA-0685-4	4	19.5	2125	0.35	1825	1.2	0.15	0.36	2.2
24PG-370CA-0685-16	16	25.3	531	0.35	456	1.2	0.6	1.4	2.2
24PG-370CA-0685-25	25	25.3	340	0.35	292	1.2	1	2.5	2.2
24PG-370CA-0685-64	64	31	132	0.35	114	1.2	2.5	5.5	2.2
24PG-370CA-0685-88	88	31	96	0.35	83	1.2	3.5	8	2.2
24PG-370CA-0685-110	110	31	77	0.35	66	1.2	4	9.5	2.2
24PG-370CA-0685-138	138	31	61	0.35	52	1.2	5.5	12	2.2
24PG-370CA-0685-256	256	36.8	33	0.35	28	1.2	10	23	2.2
24PG-370CA-0685-320	320	36.8	26	0.35	23	1.2	12	28	2.2
24PG-370CA-0685-400	400	36.8	21	0.35	18	1.2	16	36	2.2
24PG-370CA-0685-500	500	36.8	17	0.35	14.5	1.2	20	45	2.2



DONGGUAN E-S MOTOR CO.,LTD

Precision Works, Professional Transmission

Tel : 86.135.3263.9595 | E-Mail : sales@e-smotor.com | www.e-smotor.com

24PG-370CA-1285 gear motor , 12V DC, Rated Power 8 watt

Model	Gear ratio	Gearbox Length (L)	No-load		Rated			At Stall	
			Speed rpm	Current A	Speed rpm	Current A	Torque Kg.cm	Torque Kg.cm	Current A
24PG-370CA-1285-4	4	19.5	2125	0.2	1825	0.7	0.2	0.8	2.8
24PG-370CA-1285-16	16	25.3	531	0.2	456	0.7	0.8	3	2.8
24PG-370CA-1285-25	25	25.3	340	0.2	292	0.7	1.2	4.5	2.8
24PG-370CA-1285-64	64	31	132	0.2	114	0.7	3	12	2.8
24PG-370CA-1285-88	88	31	96	0.2	83	0.7	4	16	2.8
24PG-370CA-1285-110	110	31	77	0.2	66	0.7	5.5	21	2.8
24PG-370CA-1285-138	138	31	61	0.2	52	0.7	7	26	2.8
24PG-370CA-1285-256	256	36.8	33	0.2	28	0.7	12	49	2.8
24PG-370CA-1285-320	320	36.8	26	0.2	23	0.7	16	60	2.8
24PG-370CA-1285-400	400	36.8	21	0.2	18	0.7	20	76	2.8
24PG-370CA-1285-500	500	36.8	17	0.2	14.5	0.7	25	96	2.8



DONGGUAN E-S MOTOR CO.,LTD

Precision Works, Professional Transmission

Tel : 86.135.3263.9595 | E-Mail : sales@e-smotor.com | www.e-smotor.com

24PG-370CA-2485 gear motor , 24V DC, Rated Power 7.5 watt

Model	Gear ratio	Gearbox Length (L)	No-load		Rated			At Stall	
			Speed rpm	Current A	Speed rpm	Current A	Torque Kg.cm	Torque Kg.cm	Current A
24PG-370CA-2485-4	4	19.5	2125	0.13	1825	0.32	0.2	0.8	1.2
24PG-370CA-2485-16	16	25.3	531	0.13	456	0.32	0.8	3	1.2
24PG-370CA-2485-25	25	25.3	340	0.13	292	0.32	1.2	4.5	1.2
24PG-370CA-2485-64	64	31	132	0.13	114	0.32	3	12	1.2
24PG-370CA-2485-88	88	31	96	0.13	83	0.32	4	16	1.2
24PG-370CA-2485-110	110	31	77	0.13	66	0.32	5.5	21	1.2
24PG-370CA-2485-138	138	31	61	0.13	52	0.32	7	26	1.2
24PG-370CA-2485-256	256	36.8	33	0.13	28	0.32	12	49	1.2
24PG-370CA-2485-320	320	36.8	26	0.13	23	0.32	16	60	1.2
24PG-370CA-2485-400	400	36.8	21	0.13	18	0.32	20	76	1.2
24PG-370CA-2485-500	500	36.8	17	0.13	14.5	0.32	25	96	1.2



DONGGUAN E-S MOTOR CO.,LTD

Precision Works, Professional Transmission

Tel : 86.135.3263.9595 | E-Mail : sales@e-smotor.com | www.e-smotor.com