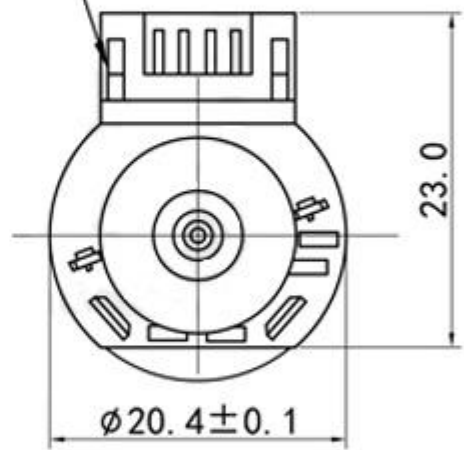


PH2.0-6PIN



Model : 20PG-180SH-EN

Voltage : 6V DC

Gear ratio	L	No-load		Rated			At Stall	
	mm	Speed rpm	Current mA	Speed rpm	Current mA	Torque Kg.cm	Torque Kg.cm	Current A
5	17.3	1350	< 230	1140	< 450	0.09	0.4	< 1.5
19	21.5	390	< 230	325	< 450	0.3	1.3	< 1.5
29	21.5	250	< 230	210	< 450	0.5	1.7	< 1.5
84	24.7	90	< 230	73	< 450	1.5	6	< 1.5
128	24.7	58	< 230	48	< 450	2.3	9	< 1.5
157	24.7	47	< 230	39	< 450	2.8	11	< 1.5
370	29.9	20	< 230	16	< 450	6.5	15	< 1.5
560	29.9	13	< 230	11	< 450	10	15	< 1.5