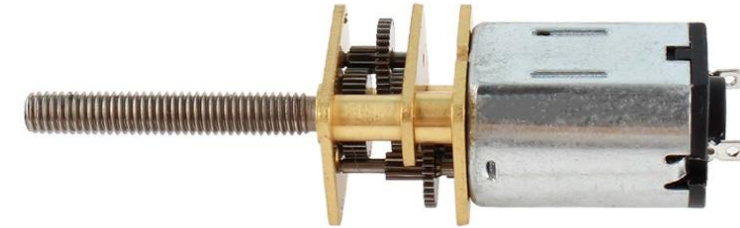
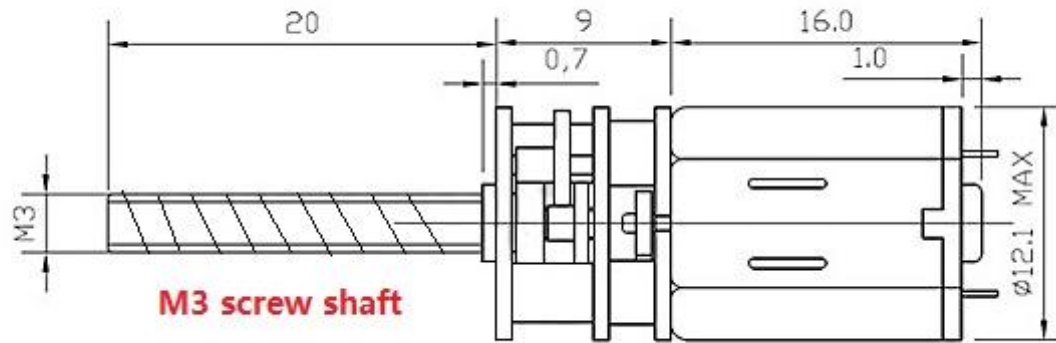
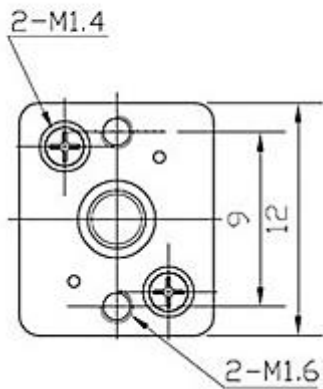


UNIT: Millimeters



Model	Voltage	No-load		Rated			At Stall	
		Speed rpm	Current mA	Speed rpm	Current mA	Torque Kg.cm	Torque Kg.cm	Current A
12SG-N20VA-298-A26-20S	3 V	27	< 35	15	< 0.18	1.2	2.5	< 0.35
12SG-N20VA-298-A45-20S	3 V	40	< 45	26	< 0.27	1.2	3	< 0.65
12SG-N20VA-298-A15-20S	3 V	50	< 50	30	< 0.33	1.2	3	< 0.75
12SG-N20VA-298-K100-20S	3 V	50	< 150	26	< 0.45	1.2	3	< 1
12SG-N20VA-298-A05-20S	6 V	26	< 30	10	< 0.08	0.6	1.3	< 0.2
12SG-N20VA-298-A35-20S	6 V	36	< 40	18	< 0.15	1.2	2.3	< 0.3
12SG-N20VA-298-A26-20S	6 V	55	< 50	32	< 0.25	1.5	3	< 0.6
12SG-N20VA-298-K100-20S	6 V	105	< 200	56	< 0.9	2.4	3	< 2
12SG-N20VA-298-A05-20S	12 V	50	< 40	28	< 0.1	1.2	2.6	< 0.3
12SG-N20VA-298-A35-20S	12 V	72	< 50	45	< 0.2	1.5	3	< 0.6



DONGGUAN E-S MOTOR CO.,LTD

Precision Works, Professional Transmission

Tel : 86.135.3263.9595 | E-Mail : sales@e-smotor.com | www.e-smotor.com