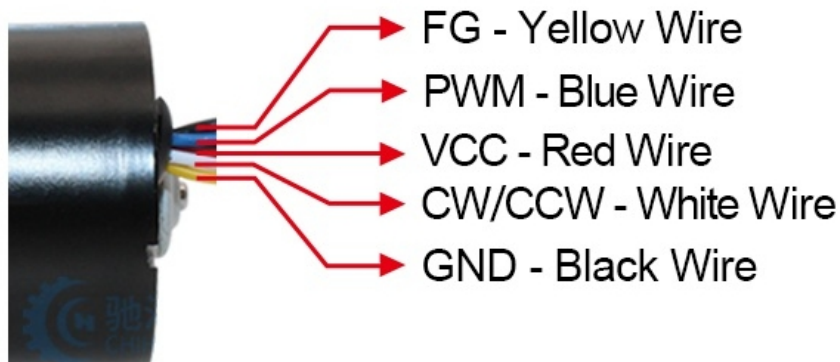


Model	L	No-load		Rated			At Stall	
	mm	Speed rpm	Current mA	Speed rpm	Current mA	Torque Kg.cm	Torque Kg.cm	Current A
36PG-3650BL-3.7	26.6	1600	230	1300	1300	0.7	3.2	4
36PG-3650BL-5.18	26.6	1200	230	1000	1300	1	4.6	4
36PG-3650BL-14	32.6	430	230	360	1300	3	10.7	4
36PG-3650BL-27	32.6	230	230	195	1300	5	20.7	4
36PG-3650BL-50	32.6	120	230	100	1300	9	38	4
36PG-3650BL-71	38.7	85	230	75	1300	13	46	4
36PG-3650BL-100	38.7	60	230	52	1300	18	65	4
36PG-3650BL-139	38.7	45	230	40	1300	20	90	4
36PG-3650BL-189	44.4	32	230	24	1300	26	110	4
36PG-3650BL-263	44.4	23	230	17	1300	36	150	4
36PG-3650BL-369	44.4	16	230	12	1300	51	-	4
36PG-3650BL-516	44.4	12	230	9	1300	71	-	4
36PG-3650BL-721	44.4	8	230	6	1300	100	-	4



PIN-NO.	信號 SIGNAL	I/O	規格 SPECIFICATIONS	備註 NOTE
PWM 控制 PWM Control(blue wire) 60K MAX Typical(10K-30K)				
1	輸入電壓範圍 Input Voltage Range	IN	0-5V (10K-30K)	High-motor OFF Low-motor ON
	VIH		2.0V Min.or open	
	VIL		0.8V Max	
2	GND (black wire)接地負極	IN	Power Ground	Power Ground
CW/CCW 控制 Control (white wire)				
3	電壓範圍 Input Voltage rotation	IN	0-5V	High-motor CCW Low-motor CW
	VIH		2.0V Min.or open	
	VIL		0.8V Max	
FG 測速信號 (yellow wire)				
4	VOH	OUT	6.0V Max	Hall Signal Pulse Outputs
	VOL		0.5V Max	
	FG Singnal Current		2 mA	
	Pulse Outputs of Rotation		6Pulse/cycle	
5	Vm VCC (red wire)	I/N	DC 12V / 24V	Power Vcc