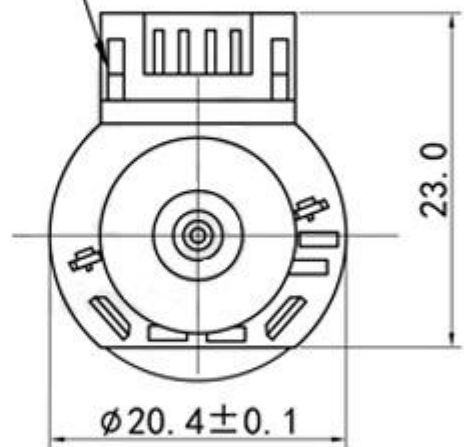


PH2.0-6PIN



Model : 20PG-180SH-EN

Voltage : 12V DC

Gear ratio	L	No-load		Rated			At Stall	
	mm	Speed rpm	Current mA	Speed rpm	Current mA	Torque Kg.cm	Torque Kg.cm	Current A
5	17.3	2750	< 280	2400	< 550	0.1	0.7	< 2.7
19	21.5	780	< 280	680	< 550	0.4	2	< 2.7
29	21.5	515	< 280	445	< 550	0.65	3	< 2.7
84	24.7	175	< 280	154	< 550	1.8	8	< 2.7
128	24.7	115	< 280	101	< 550	2.8	12	< 2.7
157	24.7	95	< 280	82	< 550	3.5	15	< 2.7
370	29.9	40	< 280	35	< 550	8	15	< 2.7
560	29.9	26	< 280	23	< 550	10	15	< 2.7