

57BLY04 Brushless DC motor , 24V DC, 69 watt

| | |
|----------------------|----------|
| Model | 57BLY04 |
| Output Power | 69 Watt |
| Voltage | 24V DC |
| Rated Speed | 3000 RPM |
| Rated Torque | 0.22 N.m |
| Rated Current | 4.4 A |
| Peak Torque | 0.8 N.m |

| | |
|-------------------------|---------------|
| Number of poles | 4 |
| Number of phases | 3 |
| Peak Current | 13.2 A |
| Torque Constant | 0.062 N.m / A |
| EMF constant | 6.5 V / KRPM |
| Motor length | 73.8 mm |
| Motor weight | 0.67 Kg |

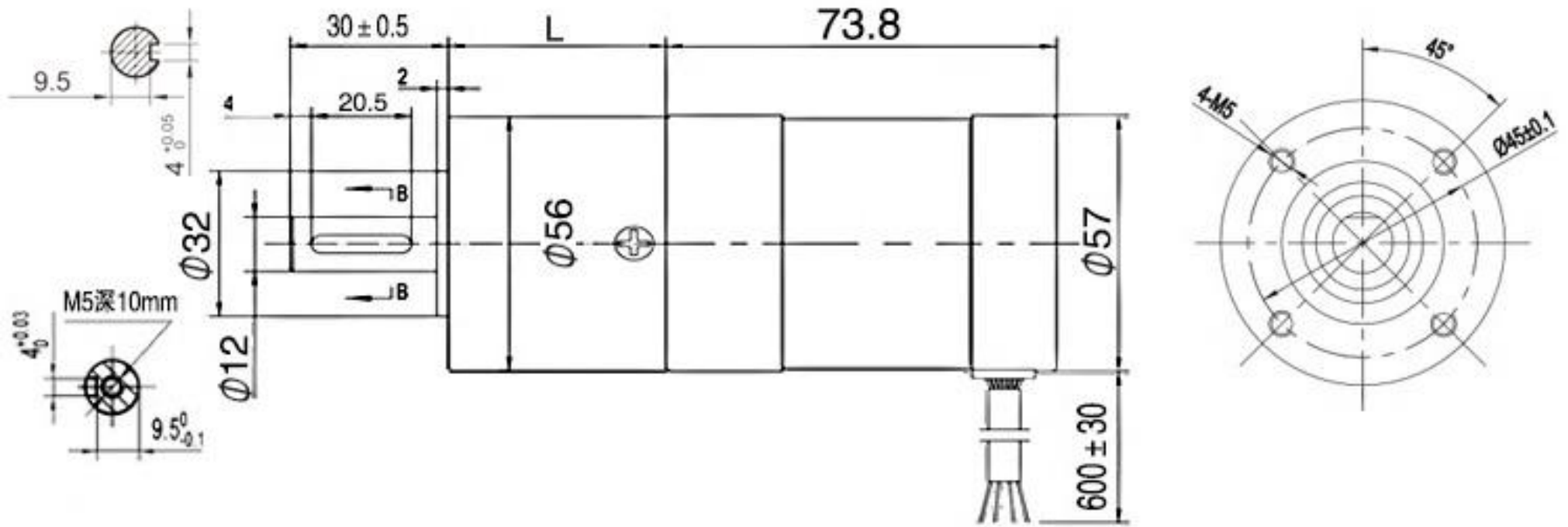


DONGGUAN E-S MOTOR CO.,LTD

Precision Works, Professional Transmission

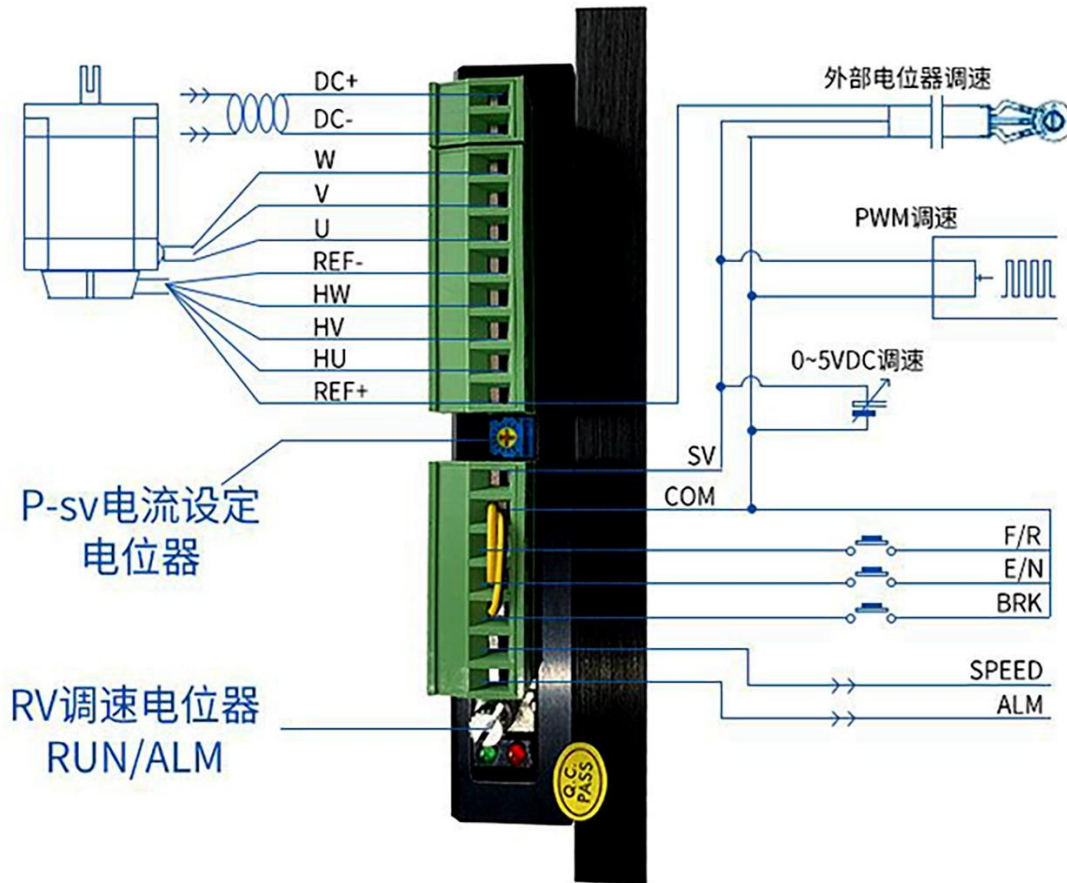
Tel : 86.135.3263.9595 | E-Mail : sales@e-smotor.com | www.e-smotor.com

56PG-57BLY04 BLDC planetary gear motor



| | | | | | | | | |
|----------------|-----|------|------|------|------|------|------|------|
| Gear ratio | | 4.25 | 6 | 15 | 18 | 26 | 47 | 66 |
| Reduce stage | | 1 | 1 | 2 | 2 | 2 | 2 | 2 |
| Gearbox length | mm | 41.3 | 41.3 | 59.6 | 59.6 | 59.6 | 59.6 | 59.6 |
| No-load speed | RPM | 800 | 566 | 226 | 188 | 130 | 72 | 51 |
| Rated speed | RPM | 705 | 500 | 200 | 166 | 115 | 63 | 45 |
| Rated torque | N.m | 0.76 | 1.1 | 2.4 | 2.8 | 4.1 | 7.4 | 10 |
| Max. Load | N.m | 6 | 6 | 25 | 25 | 25 | 25 | 25 |

BLD300B BLDC motor driver



Function :

- * BLDC motor driver;
- * with inner Speed regulating potentiometer, Rotate the knob to adjust the speed
- * Motor rotation CW/CCW adjusting;
- * over-heat, over-current and Under-voltage protection

| | |
|-------------------------|-----------------------------|
| Model | BLD-300B |
| Applicable motor | Power < 480 watt BLDC motor |
| Voltage | 18 to 50V DC |
| Current | < 15 A |
| Adjusting speed | 0 to 20,000 RPM |



DONGGUAN E-S MOTOR CO.,LTD

Precision Works, Professional Transmission

Tel : 86.135.3263.9595

E-Mail : sales@e-smotor.com

www.e-smotor.com