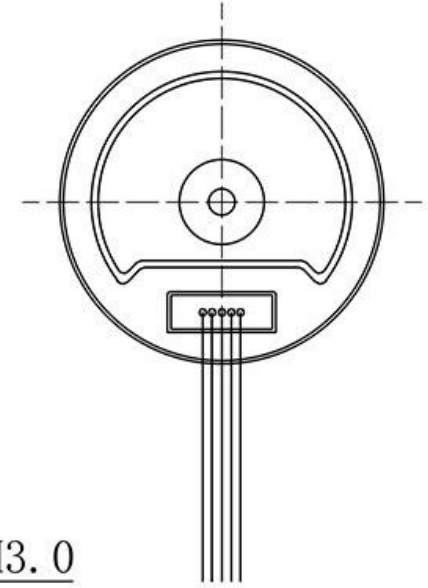
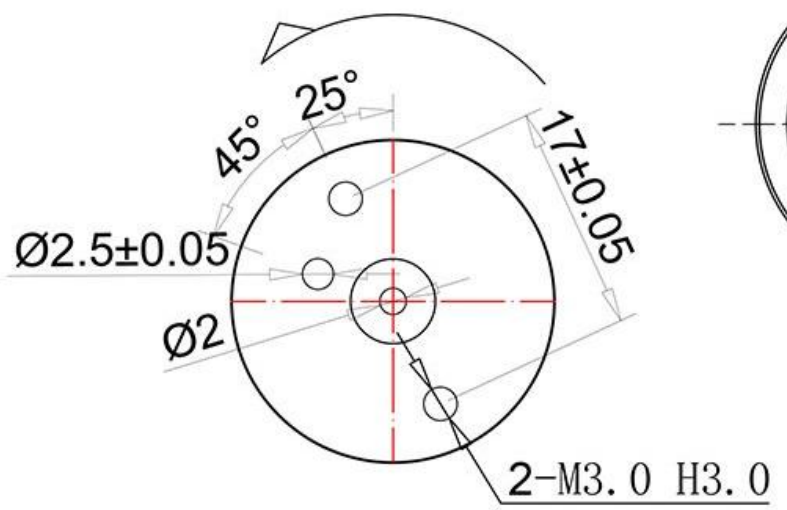


**Direction of Rotation**



**DONGGUAN E-S MOTOR CO.,LTD**

Precision Works, Professional Transmission

Tel : 86.135.3263.9595 | E-Mail : sales@e-smotor.com | www.e-smotor.com

Model	No-load		Rated			At Stall	
	Speed rpm	Current A	Speed rpm	Current A	Torque g.cm	Torque g.cm	Current A
2430BL-12	6000	0.1	4911	0.43	61.82	331.4	1.9
2430BL-24	6000	0.05	4937	0.23	60.18	296.6	0.9

一： (MOTOR TERMINATIONS)

NO.	信号 SIGNAL	I/O	规格 SPECIFICATIONS	备注 NOTE
1	Vm (red wire)	I/N	DC 12V / 24V	POWER
2	FG (green wire)	OUT		Hall Signal Pulse Outputs
	VOH		6.0V Max	
	VOL		0.5V Max	
	FG Singnal Current pulse Outputs of Rotation		2mA 6Pulse/cycle	
3	CW/CCW 控制 CW/CCW Control (yellow wire)	IN		High---motor CCW Low---motor CW
	输入电压范围 Input voltage Rotaion		0~5V	
	VIH		2.0V Min.or	
	VIL		0.5V Max	
4	GND	OUT	Power Ground	Power Ground
5	PWM 控制 PWM Control (blue wire) 60K MAX Typical(15K-25K)	IN		High-motor OFF Low-motor ON
	输入电压范围 Input Voltage Range		0~5v (15K-25K)	
	VIH		2.0V Min.or open	
	VIL		0.5V Max	



**DONGGUAN E-S MOTOR CO.,LTD**

Precision Works, Professional Transmission

Tel : 86.135.3263.9595

| E-Mail : sales@e-smotor.com

| www.e-smotor.com