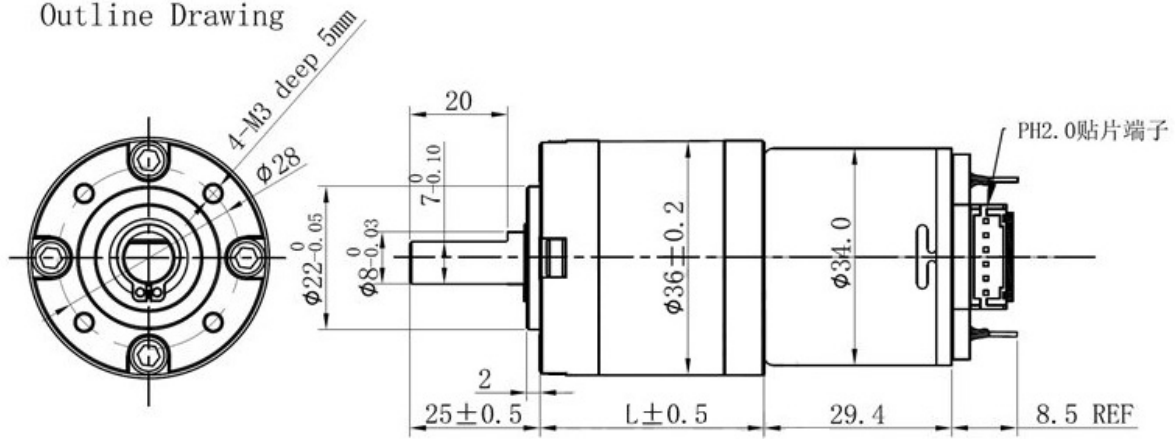


Outline Drawing



Voltage : 12 V Power : 10 Watt

Gear ratio	L	No-load		Rated			At Stall	
	mm	Speed rpm	Current mA	Speed rpm	Current A	Torque Kg.cm	Torque Kg.cm	Current A
3.7	26.5	2500	< 450	1250	< 2.5	0.6	1	< 5
5.2	26.5	1800	< 450	900	< 2.5	0.8	1.4	< 5
14	34.5	660	< 450	335	< 2.5	2	3.8	< 5
19	34.5	490	< 450	247	< 2.5	3	5	< 5
27	34.5	345	< 450	175	< 2.5	4	7	< 5
51	42.5	182	< 450	92	< 2.5	8	13	< 5
100	42.5	95	< 450	47	< 2.5	18	25	< 5
139	42.5	678	< 450	34	< 2.5	20	33	< 5
264	50.5	35	< 450	18	< 2.5	40	50	< 5
515	50.5	18	< 450	12	< 2.5	40	50	< 5