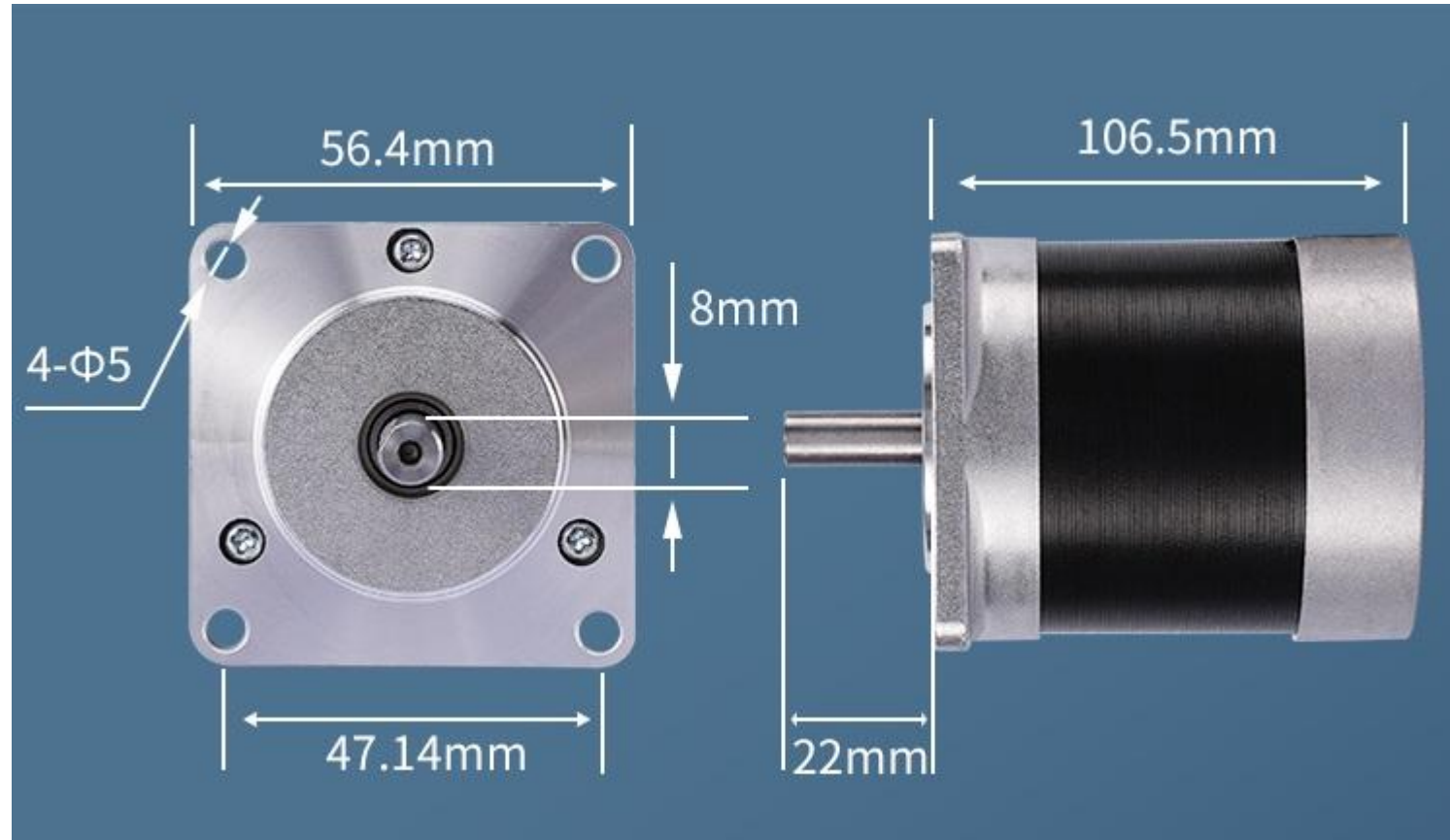


57BLY120 Brushless DC motor , 24V DC, 125 watt



Model	57BLY120
Output Power	125 Watt
Voltage	24V DC
Rated Speed	3000 RPM
Rated Torque	0.44 N.m
Motor length	106.5 mm
Hall angle	60 degree

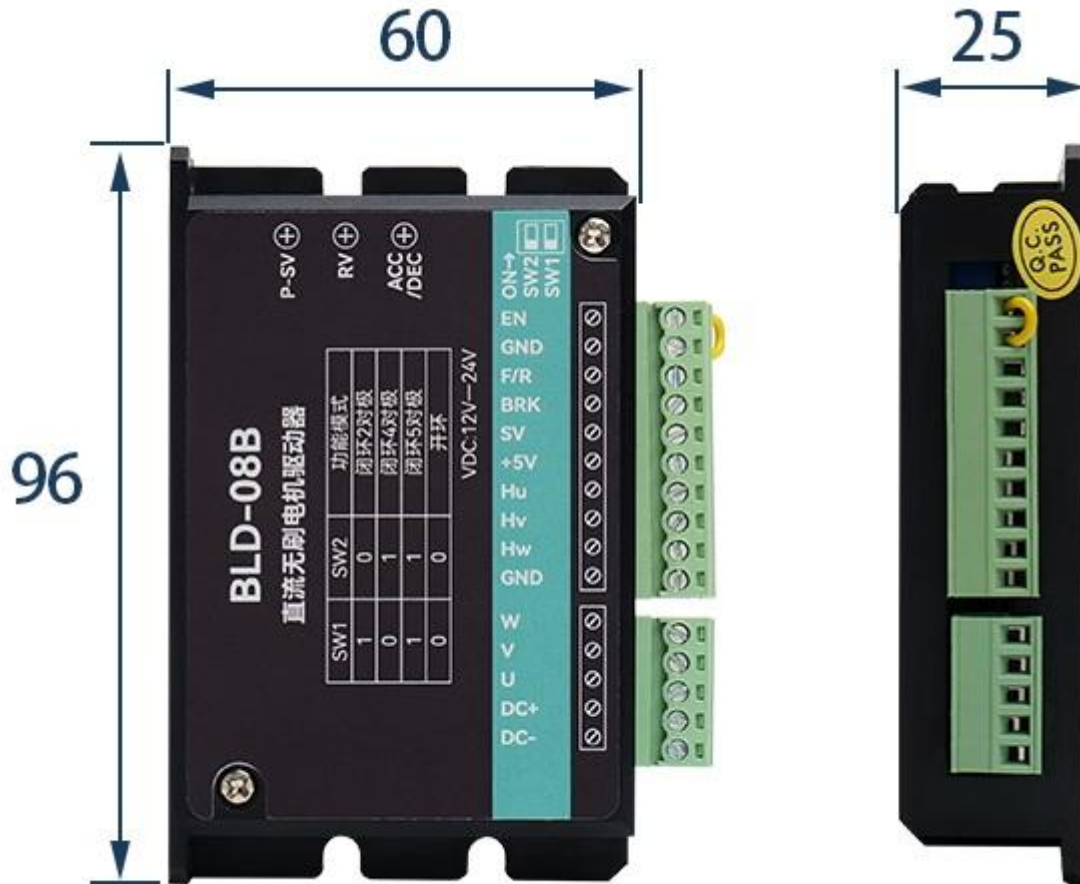


DONGGUAN E-S MOTOR CO.,LTD

Precision Works, Professional Transmission

Tel : 86.135.3263.9595 | E-Mail : sales@e-smotor.com | www.e-smotor.com

BLD08B BLDC motor driver



Function :

- * BLDC motor driver;
- * with inner Speed regulating potentiometer, Rotate the knob to adjust the speed
- * Motor rotation CW/CCW adjusting;
- * over-heat, over-current and Under-voltage protection

Model	BLD-08B
Applicable motor	Power < 125 watt BLDC motor
Voltage	12 to 30V DC
Current	6.2 A
Adjusting speed	0 to 20,000 RPM



DONGGUAN E-S MOTOR CO.,LTD

Precision Works, Professional Transmission

Tel : 86.135.3263.9595 | E-Mail : sales@e-smotor.com | www.e-smotor.com