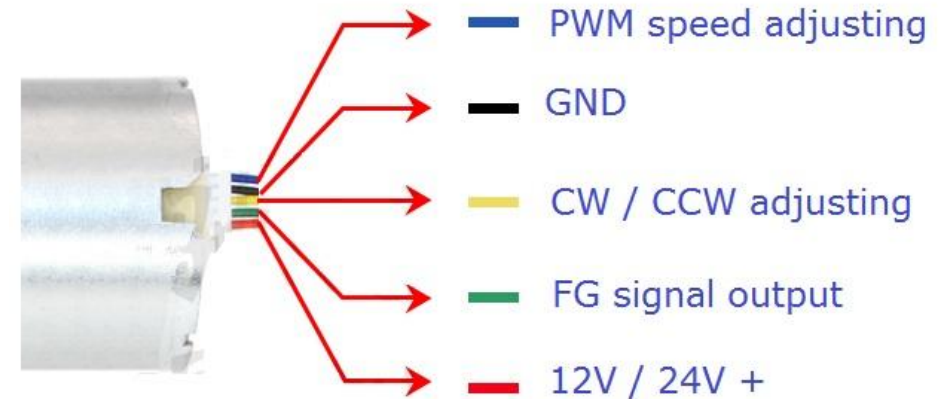
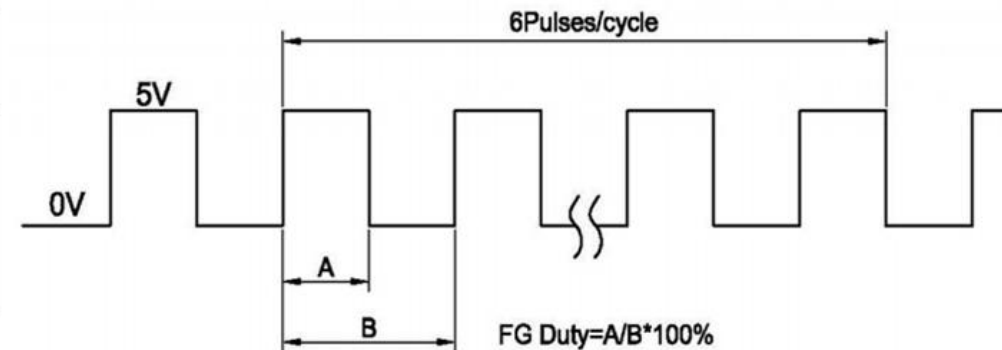
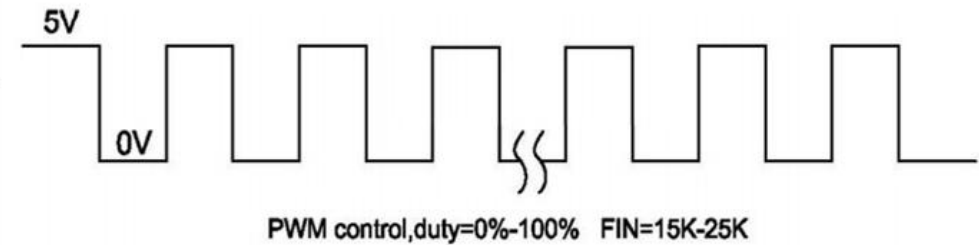


(MOTOR TERMINATIONS)

NO.	SIGNAL	I/O	SPECIFICATIONS	NOTE
1	Vm (red wire)	I/N	DC 12V / 24V	POWER
2	FG (green wire)	OUT	6.0V Max	Hall Signal Pulse Outputs
	VOH		0.5V Max	
	VOL		2mA	
	FG Singnal Current		6Pulse/cycle	
3	CW/CCW Control (yellow wire)	IN	0~5V	High---motor CCW Low---motor CW
	Input voltage Rotaion		2.0V Min.or	
	VIH		0.5V Max	
	VIL			
4	GND	OUT	Power Ground	Power Ground
5	PWM Control (blue wire) 60K MAX Typical(15K-25K)	IN	0~5v (15K-25K)	High-motor OFF Low-motor ON
	Input Voltage Range		2.0V Min.or open	
	VIH		0.5V Max	
	VIL			



Block diagram:



DONGGUAN E-S MOTOR CO.,LTD

Precision Works, Professional Transmission

Tel : 86.135.3263.9595 | E-Mail : sales@e-smotor.com | www.e-smotor.com