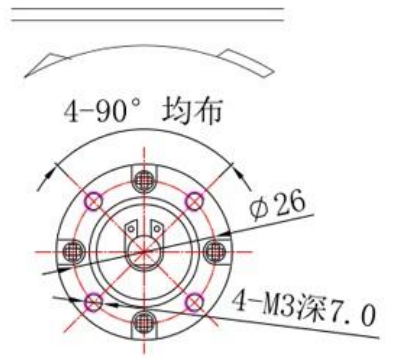


DIRECTION OF ROTATION



Model : 32PG-31ZY

Voltage : 12V

Model	L mm	No-load		Rated			Stall	
		Speed rpm	Current mA	Speed rpm	Current A	Torque Kg.cm	Current A	Torque Kg.cm
32PG-31ZY-3.35	23.2	2386	0.3	1786	1.82	0.52	5.7	2
32PG-31ZY-4.63	23.2	1726	0.3	1361	1.39	0.56	5.1	2.5
32PG-31ZY-11.2	29.8	712	0.3	580	1.41	1.33	6	5.7
32PG-31ZY-15.5	29.8	515	0.3	417	1.47	2.05	5.4	7.8
32PG-31ZY-21.4	29.8	372	0.3	312	1.31	2.3	5.6	10
32PG-31ZY-37.9	36.4	212	0.3	181	1.32	4.22	5.7	20
32PG-31ZY-52	36.4	153	0.3	136	1.05	5	5.7	27.2
32PG-31ZY-72	36.4	111	0.3	94	1.16	7.13	5.3	35
32PG-31ZY-99	36.4	80	0.3	73	1.17	8.35	5.4	47
32PG-31ZY-126	43	63	0.3	52	1.59	14.46	5.4	54
32PG-31ZY-174	43	46	0.3	40	1.33	14.88	-	-
32PG-31ZY-241	43	33	0.3	31	1.13	19.85	-	-
32PG-31ZY-334	43	24	0.3	20	1.5	32.6	-	-
32PG-31ZY-461	43	17	0.3	16	1.18	33.1	-	-