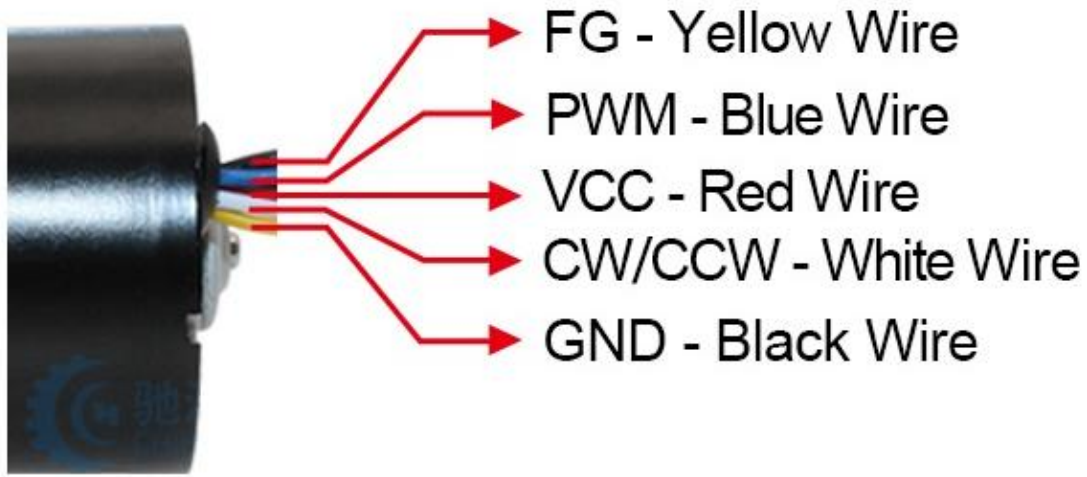


Model : 36PG-3625BL

Voltage : 12V

Model	L	No-load		Rated		
	mm	Speed rpm	Current mA	Speed rpm	Current A	Torque Kg.cm
36PG-3625BL-5	26.5	525	< 120	400	< 0.25	0.35
36PG-3625BL-19	34.5	145	< 120	110	< 0.25	1.2
36PG-3625BL-27	34.5	100	< 120	75	< 0.25	1.7
36PG-3625BL-51	42.5	55	< 120	40	< 0.25	3.2
36PG-3625BL-100	42.5	27	< 120	20	< 0.25	6.5
36PG-3625BL-139	42.5	20	< 120	15	< 0.25	9
36PG-3625BL-515	50.5	5	< 120	4	< 0.25	25



PIN-NO.	信號 SIGNAL	I/O	規格 SPECIFICATIONS	備註 NOTE
1	PWM 控制 PWM Control(blue wire) 60K MAX Typical(10K-30K)			
	輸入電壓範圍 Input Voltage Range	IN	0-5V (10K-30K)	High-motor OFF Low-motor ON
	VIH		2.0V Min.or open	
	VIL		0.8V Max	
2	GND (black wire)接地負極	IN	Power Ground	Power Ground
3	CW/CCW 控制 Control (white wire)			
	電壓範圍 Input Voltage rotation	IN	0-5V	High-motor CCW Low-motor CW
	VIH		2.0V Min.or open	
	VIL		0.8V Max	
4	FG 測速信號 (yellow wire)			
	VOH	OUT	6.0V Max	Hall Signal Pulse Outputs
	VOL		0.5V Max	
	FG Singnal Current		2 mA	
Pulse Outputs of Rotation	6Pulse/cycle			
5	Vm VCC (red wire)	I/N	DC 12V / 24V	Power Vcc