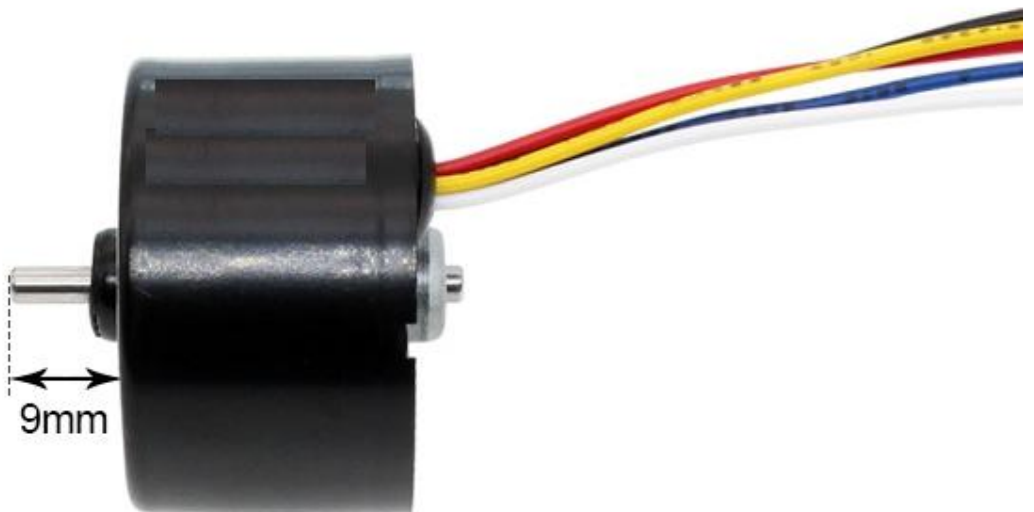
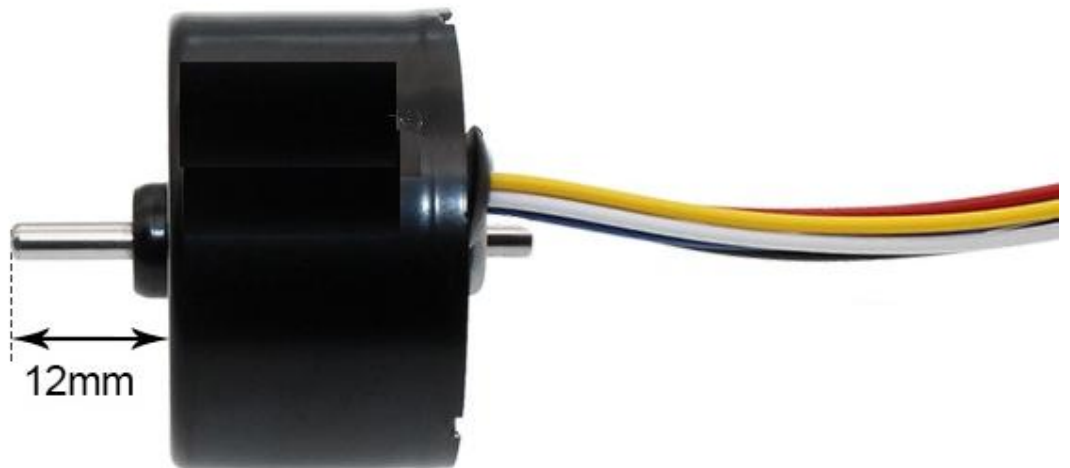
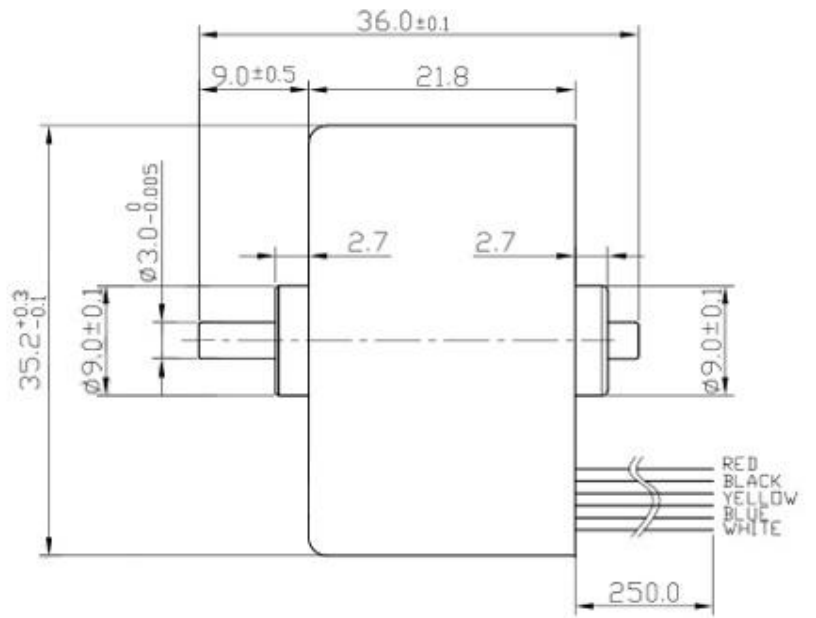
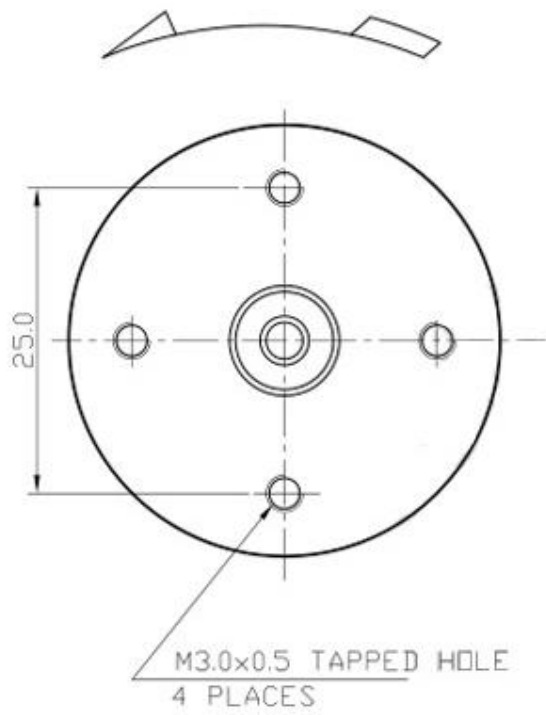
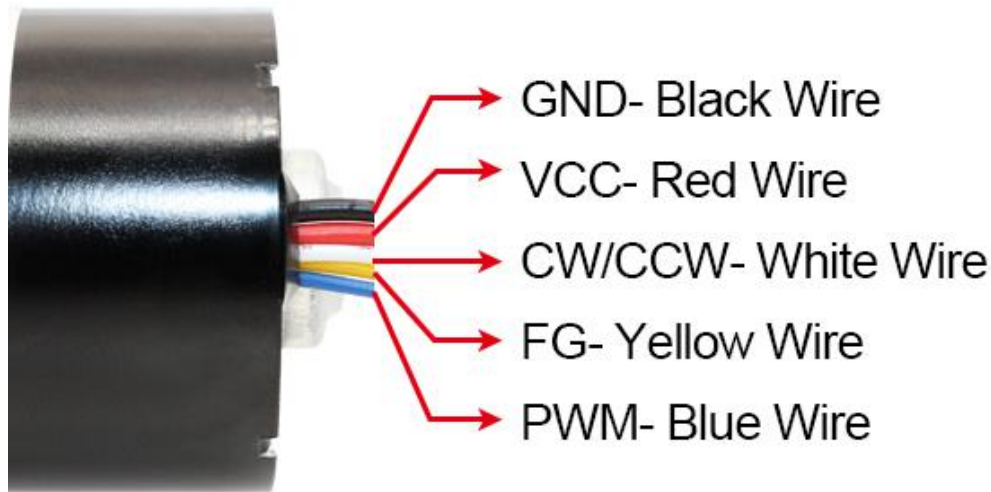


DIRECTION OF ROTATION





NO.	SIGNAL	I/O	SPECIFICATIONS	NOTE
1	FG (yellow wire)			
	VOH	OUT	6.0 V Max	Hall Singnal Pulse Outputs
	VOL		0.5 V Max	
	FG Singnal Curren		2 mA Max	
Pulse Outputs of Rotation	9 Pulse/cycle			
2	PWM Control. (Blue wire)			
	Input Voltage Rotation	IN	0~5V	High—motor OFF Low—motor ON
	VIH		2.0V Min.or open	
	VIL		0.8V Max.	
PWM	10KHZ~30KHZ		60K Max.	
3	Vcc (red wire)	IN	DC 12V / 24V	POWER
4	CW/CCW Control(White wire)			
	Input Voltage Rotation	IN	0~5V	High—motor CCW Low—motor CW
	VIH		2.0V Min.or open CW	
VIL	0.8V Max. CCW			
5	GND(black wire)	OUT	POWER Ground	