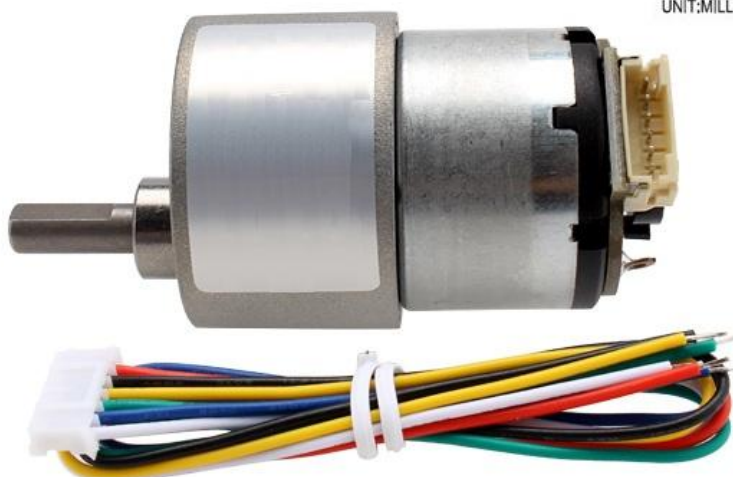
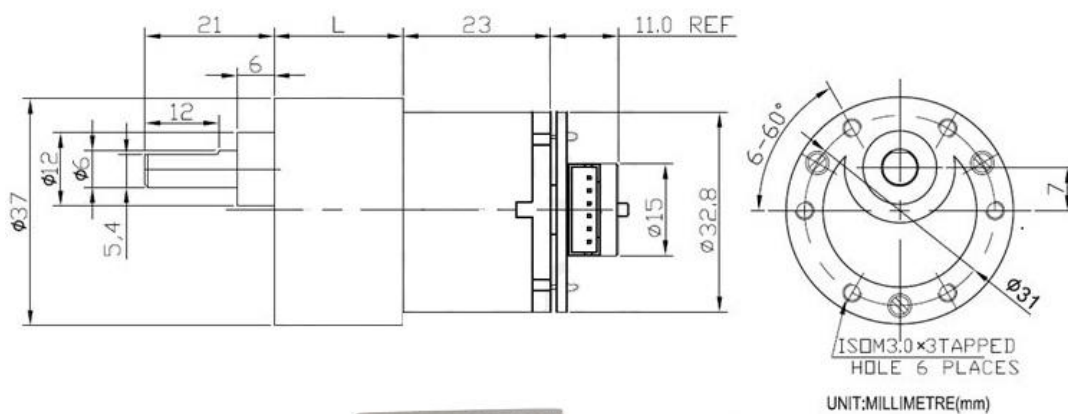




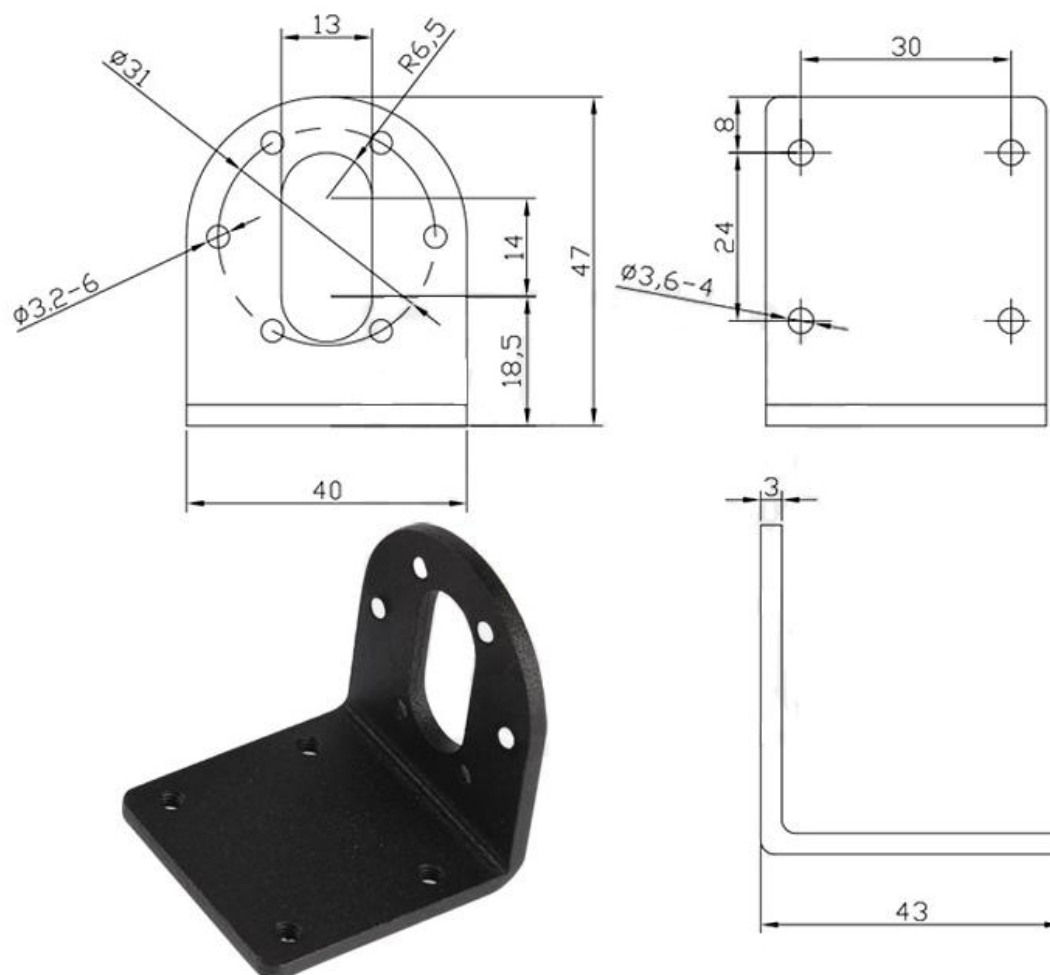
What's included

- 1). 37SG-520-EN gear motor with encoder and cables, X 1
- 2). 80D Rubber wheel, X 1
- 3). Shaft coupling (material : brass), X 1
- 4). Mounting bracket (material : aluminium alloy), X 1
- 5). screw , X 6

Gear motor with encoder dimension drawing



Mounting bracket dimension drawing



37SG-520-EN gear motor specification, 6V

Model	L	No-load		Rated			At Stall	
	mm	Speed rpm	Current mA	Speed rpm	Current A	Torque Kg.cm	Torque Kg.cm	Current A
37SG-520-6.3-EN	19	760	< 100	570	< 0.35	0.2	0.7	< 1.7
37SG-520-10-EN	19	480	< 100	360	< 0.35	0.3	1	< 1.7
37SG-520-18.8-EN	21	205	< 100	192	< 0.35	0.6	1.9	< 1.7
37SG-520-30-EN	21	160	< 100	120	< 0.35	1	3	< 1.7
37SG-520-50-EN	24	95	< 100	72	< 0.35	3	5.5	< 1.7
37SG-520-90-EN	24	53	< 100	40	< 0.35	4.8	9	< 1.7
37SG-520-150-EN	26.5	32	< 100	24	< 0.35	8.6	16	< 1.7
37SG-520-270-EN	29	18	< 100	13	< 0.35	14	30	< 1.7
37SG-520-450-EN	29	10	< 100	8	< 0.35	20	35	< 1.7



Red : 6 / 12 / 24V +

Black : Hall GND

Yellow : C1 Hall signal output

Green : C2 Hall signal output

Blue : 3.3/5 V Hall power input

White : motor GND