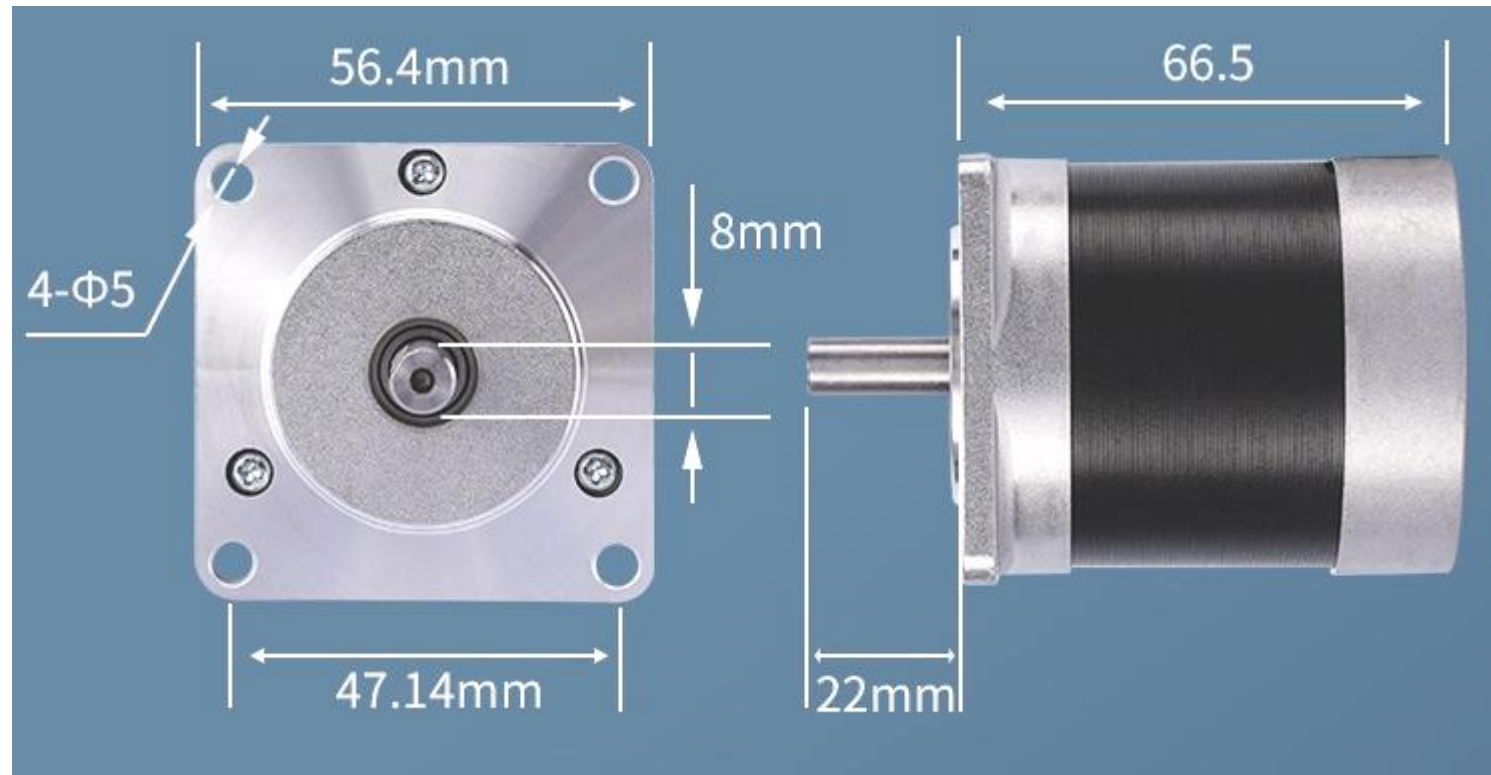


## 57BLY70 Brushless DC motor , 24V DC, 69 watt



<b>Model</b>	57BLY70
<b>Output Power</b>	69 Watt
<b>Voltage</b>	24V DC
<b>Rated Speed</b>	3000 RPM
<b>Rated Torque</b>	0.22 N.m
<b>Motor length</b>	66.5 mm
<b>Hall angle</b>	60 degree

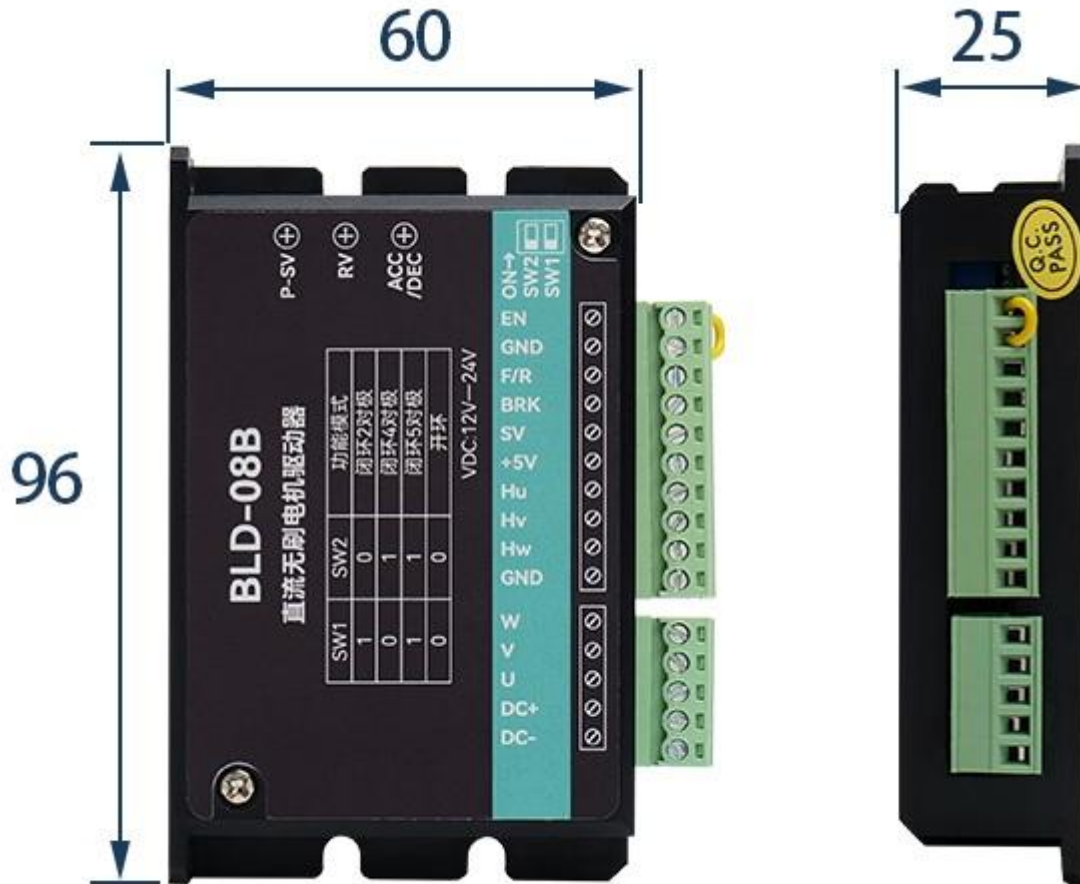


**DONGGUAN E-S MOTOR CO.,LTD**

Precision Works, Professional Transmission

Tel : 86.135.3263.9595 | E-Mail : sales@e-smotor.com | www.e-smotor.com

## BLD08B BLDC motor driver



### Function :

- \* BLDC motor driver;
- \* with inner Speed regulating potentiometer, Rotate the knob to adjust the speed
- \* Motor rotation CW/CCW adjusting;
- \* over-heat, over-current and Under-voltage protection

<b>Model</b>	BLD-08B
<b>Applicable motor</b>	Power < 125 watt BLDC motor
<b>Voltage</b>	12 to 30V DC
<b>Current</b>	6.2 A
<b>Adjusting speed</b>	0 to 20,000 RPM



**DONGGUAN E-S MOTOR CO.,LTD**

Precision Works, Professional Transmission

Tel : 86.135.3263.9595 | E-Mail : sales@e-smotor.com | www.e-smotor.com