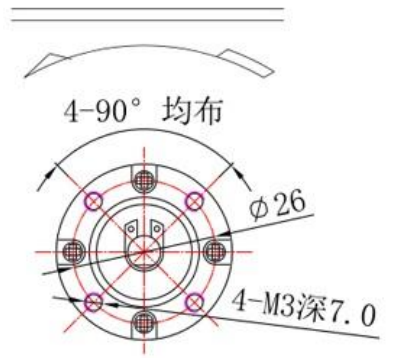


DIRECTION OF ROTATION



Model : 32PG-31ZY

Voltage : 24V

Model	L	No-load		Rated			Stall	
	mm	Speed rpm	Current mA	Speed rpm	Current A	Torque Kg.cm	Current A	Torque Kg.cm
32PG-31ZY-3.35	23.2	2386	0.2	1948	0.72	0.8	3.4	3
32PG-31ZY-4.63	23.2	1726	0.2	1270	1.04	1.13	3.61	3.5
32PG-31ZY-11.2	29.8	712	0.2	547	0.96	2.48	3.2	7
32PG-31ZY-15.5	29.8	515	0.2	388	1.1	3.61	3.36	10
32PG-31ZY-21.4	29.8	372	0.2	277	1.03	3.73	3.43	14
32PG-31ZY-37.9	36.4	212	0.2	176	0.6	4.25	3.28	23
32PG-31ZY-52	36.4	153	0.2	142	0.62	5.07	3.5	32
32PG-31ZY-72	36.4	111	0.2	98	0.63	8.21	3.34	46
32PG-31ZY-99	36.4	80	0.2	68	0.68	10.8	3.4	59
32PG-31ZY-126	43	63	0.2	51	1.04	19.9	-	-
32PG-31ZY-174	43	46	0.2	35	1.14	30	-	-
32PG-31ZY-241	43	33	0.2	25	1.17	42	-	-
32PG-31ZY-334	43	24	0.2	18	0.87	44.5	-	-
32PG-31ZY-461	43	17	0.2	14	0.85	47	-	-