

# MMP-30-EOD

Lightweight Tactical/EOD Robot

KEEP IT SIMPLE. KEEP THEM SAFE.



20 Years In Business  
Made in the USA



With over 1,600 units in service the MMP-30-EOD robot system has proven to be a rugged, reliable tool for first responders, SWAT, law enforcement, and military EOD teams. Our units have seen action in tactical and EOD operations both domestically and internationally.



## Applications:

- EOD Operations
- Rescue
- First Response
- Surveillance
- Tactical Operations
- Inspection
- Hazmat



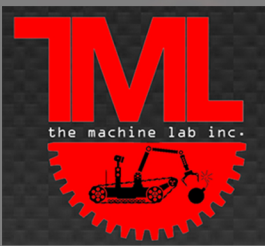
The Machine Lab prides itself in providing an unmatched price to performance ratio.



The MMP-30-EOD is an agile man-portable robot at only 50 pounds for the robot and OCU (Operator Control Unit). The robot is capable of operating in harsh conditions, features a 4-axis manipulator arm, three cameras, wireless communications, and can be customized to perform a wide range of tasks.

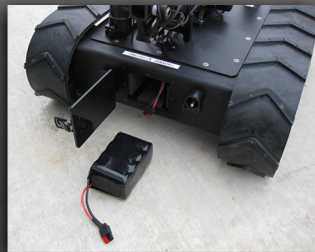
Phone - (970) 568-9812  
Email - [infolab@themachinelab.com](mailto:infolab@themachinelab.com)

**The Machine Lab, Inc.**  
[www.themachinelab.com](http://www.themachinelab.com)



# MMP-30-EOD

## Lightweight Tactical/EOD Robot

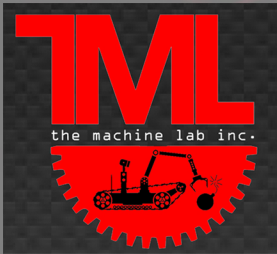


Size	23"L x 20"W x 14"H (stowed configuration)
Weight	Robot - 45 lb. (back packable), OCU controller - 5 lb.
Transport Case	Pelican shipping case included) - 95 lb. including all components, 33"L x 29"W x 18"H
Payload	15 lb. additional (100 pound pull weight)
Drive Type	<ul style="list-style-type: none"> <li>- Tracked tank steering. Climbs 40 degree inclines. Climbs standard curb height obstacles.</li> <li>- Custom manufactured light weight rubber tracks, aggressive chevron paddle for traction. Reliable in all indoor and outdoor terrains including sand, gravel, snow, concrete and carpet.</li> </ul>
Speed	- 5.0 ft./sec (3.4 MPH)
Manipulator Arm Details	<p>4 Degrees of freedom.</p> <ul style="list-style-type: none"> <li>- Shoulder with 200 degrees rotation, clutched</li> <li>- Elbow with 180 degrees of rotation, clutched</li> <li>- Wrist rotate, continuous rotation, clutched</li> <li>- Gripper open/close, clutched, 5 inch grasp (wide angle camera for close view)</li> <li>- 8 pound lift at full extension of 30 inches, 18 pound lift in retracted positions</li> <li>- 30 inch reach</li> </ul>
Robot Details	<ul style="list-style-type: none"> <li>- Water resistant, dust resistant</li> <li>- Easy-swap rear battery compartment, no tools necessary</li> <li>- Carry handle</li> <li>- Durable antennas</li> <li>- All electronics are modularized, weatherproofed and easily swappable in the field.</li> </ul>
Audio/Video	Wireless diversity audio and video, 8 channels available on 5.8 GHz band, 3 selectable cameras and on-board microphone.
Cameras	<ol style="list-style-type: none"> <li>1.) Foldable Pan/Tilt color IR boom camera with illumination to 30 feet, 0 Lux, 100 degrees tilt, 180 degrees pan</li> <li>2.) Wide angle color rear facing camera, 165 degree field of view</li> <li>3.) Wide angle color gripper camera, 165 degree field of view</li> </ol>
LCD monitor	Color, 6 inch LCD with diversity video receiver, long range antennas, 8 channel audio video with built in speaker. (auxiliary output for DVR recording device, sold separately.)
Controller (OCU) details	<p>2 x Operator Control Unit configurations available. Pelican case and hand-held.</p> <ul style="list-style-type: none"> <li>- Twin joystick, one for drive one for boom camera pan/tilt</li> <li>- Tri-position camera selector switch</li> <li>- Arm joint select switch</li> <li>- Arm joint move switch</li> <li>- 2.4 GHz Spread Spectrum technology with failsafes. Monitor mounted to controller.</li> <li>- Swappable battery</li> </ul>
Auxiliary control channels	2 auxiliary control channels available for accessories. (Lighting, etc.)
Range	2500 feet line of sight
Battery details	25.6 V 3.2 Ah rechargeable Li-FePO4 battery in robot. 12.8V, 3.2 Ah battery in OCU. Very safe and reliable battery chemistry. Extra set of batteries included.
Run time	Approximately 1-2 hours continuous running. Terrain dependent. LED battery fuel gage visible by camera for mission duration check.
Battery chargers (Included)	<p>1 x 25.6 V Universal Smart Charger for robot battery packs.</p> <p>1 x 12.8 V Universal Smart Charger for OCU battery packs.</p>
Additional accessories	Additional camera, IR or white LED lighting, additional batteries and chargers, end-effector tools such as hook, spreader and box knife.

Phone - (970) 568-9812

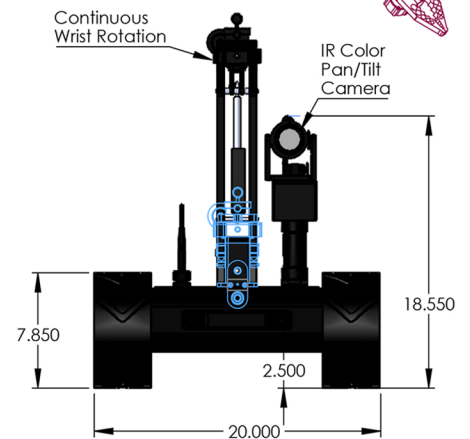
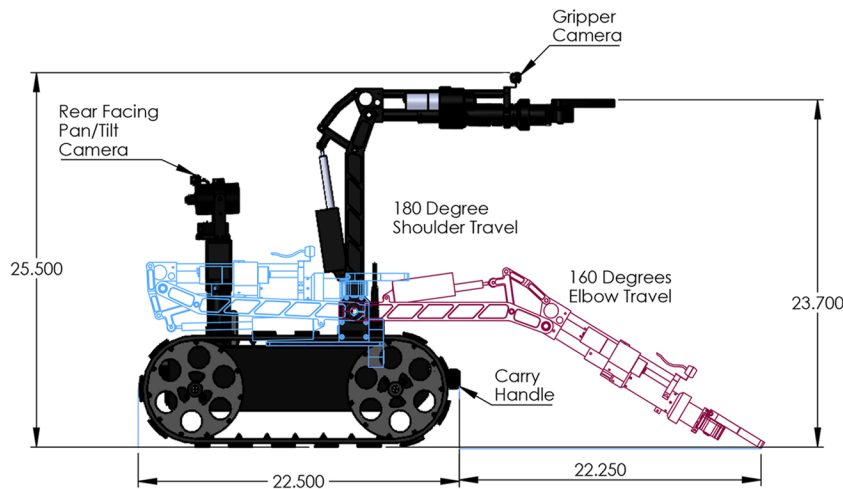
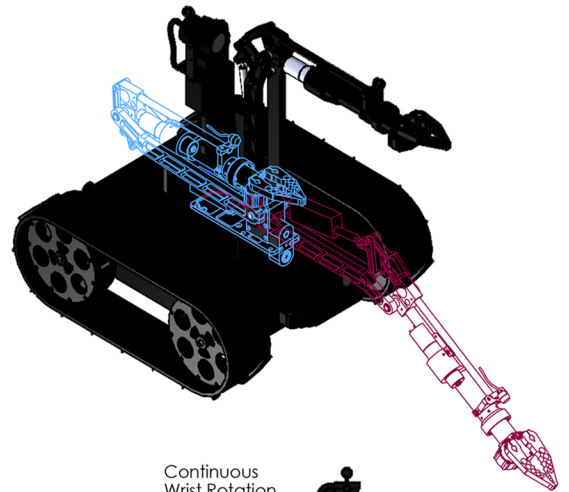
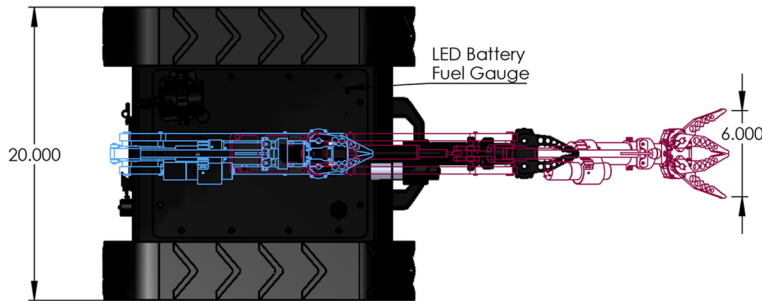
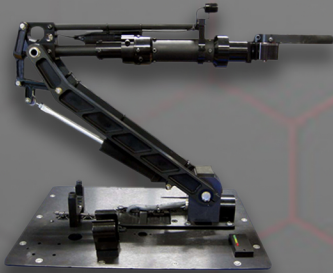
Email - [infolab@themachinelab.com](mailto:infolab@themachinelab.com)

The Machine Lab, Inc.  
[www.themachinelab.com](http://www.themachinelab.com)

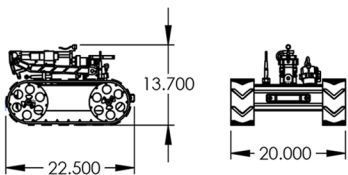


# MMP-30-EOD

## Lightweight Tactical/EOD Robot



### Transport Dimensions



**PROPRIETARY AND CONFIDENTIAL**  
 THE INFORMATION CONTAINED IN THIS DRAWING IS THE SOLE PROPERTY OF THE MACHINE LAB, INC. ANY REPRODUCTION IN PART OR AS A WHOLE WITHOUT THE WRITTEN PERMISSION OF THE MACHINE LAB, INC IS PROHIBITED.

DIMENSIONS ARE IN INCHES  
 TOLERANCES:  
 ANGULAR: MACH  
 TWO PLACE DECIMAL  
 THREE PLACE DECIMAL

MATERIAL

DRAWN BY

COMMENTS:

TITLE:

MMP-30-EOD

SIZE

**A**

DWG. NO.

SCALE: 1:10

5/6/2020

REV

SHEET 1 OF 1