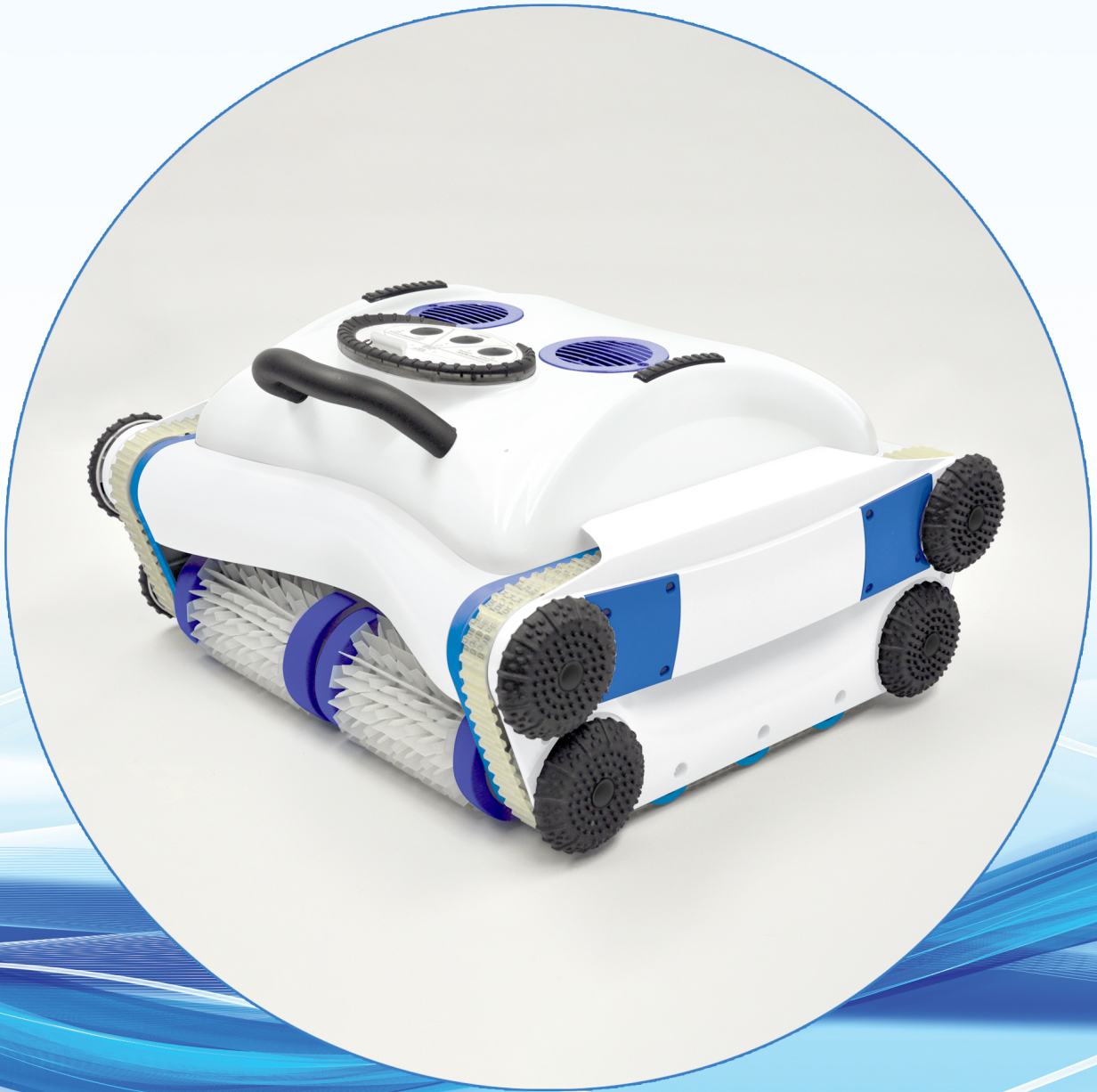


## Operator's Manual



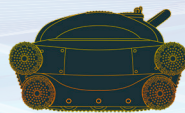
BY

**WATER TECH™**  
*"The pool invention people"*

Dear Valued Water Tech Customer,

Thank you for choosing Water Tech's innovative new swimming pool cleaner, the CX-1. The CX-1 has been designed to be completely "user friendly" beginning with its "Hands-Free" launch into your pool. Simply place the cleaner at poolside, press one button and the CX-1 will climb into the pool by itself and get to work.

<b>1. WARNINGS &amp; CAUTIONS.....</b>	<b>2</b>
<b>2. PACKAGE CONTENTS.....</b>	<b>3</b>
<b>3. SPECIFICATIONS.....</b>	<b>4</b>
<b>4. KNOWING YOUR UNIT.....</b>	<b>5</b>
<b>5. KNOWING THE CONTROL PANEL / Smart Features.....</b>	<b>6</b>
a. Select Cleaning Cycle.....	7
b. Weekly Mode Running Schedule / Select Cleaning Mode.....	8
<b>6. PREPARE THE CLEANER FOR USE.....</b>	<b>9</b>
a. Charging.....	9
b. Filter Bag Mounting.....	11
<b>7. START CLEANING.....</b>	<b>13</b>
<b>8. RETRIEVAL AFTER USE.....</b>	<b>14</b>
<b>9. OWNER PERFORMED MAINTENANCE.....</b>	<b>15</b>
a. Cleaning the Filter Bag.....	15
b. Check the Filter Screen.....	15
c. Cleaning Bottom Cover.....	16
d. Long Term Storage.....	17
<b>10. CX-1 Calibration Procedure.....</b>	<b>18</b>
<b>11. CX-1 Troubleshooting.....</b>	<b>20</b>
<b>12. CX-1 FAQs.....</b>	<b>21</b>



### **CX-1 VIP CUSTOMER SERVICE**

**Tel: 732-967-9888 EXT. 250**

**Email: [robotvip@watertechcorp.com](mailto:robotvip@watertechcorp.com)**

# IMPORTANT SAFETY INSTRUCTIONS

## Save these instructions



**Before using your CX-1, please read the following warnings and read carefully through this Operator Manual.**



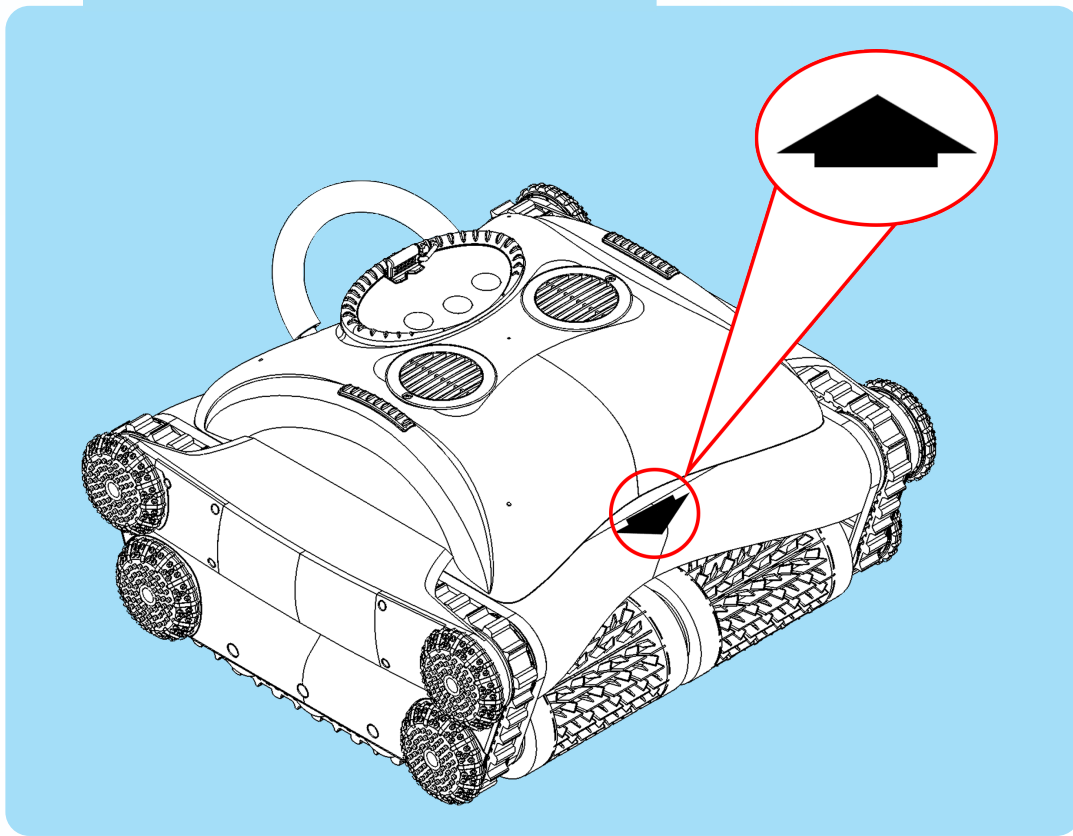
This appliance can be used by children aged from 12 years and above and persons with reduced physical, sensory or mental capabilities or lack of experience and knowledge if they have been given supervision or instruction concerning use of the appliance in a safe way and understand the hazards involved. Children shall not play with the appliance. Cleaning and user maintenance shall not be made by children without supervision.



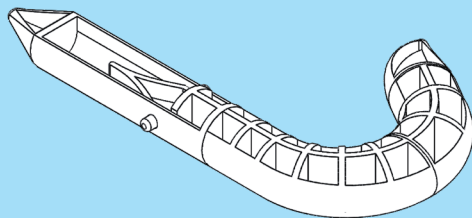
1. This product contains Li-Ion batteries. Do **NOT** abuse this product. If you suspect any damage to the batteries, do **NOT** attempt to charge the robot, contact Water Tech Customer Service.
2. Do **NOT** store the CX-1 near heat or an open flame.
3. Do not attempt to charge, use, or store the CX-1 at temperatures above 113°F (45°C) or below 41°F (5°C).
4. Warning: For the purpose of recharging the battery, use only the LC2920-6S2P charger provided with this appliance. Using any charger other than the one provided, will cause damage and possible injury. Always charge the unit inside a dry, sheltered area.
5. **Place the charger in a shaded dry area during both charging and storage.** Keep away from direct sunlight and liquids.
6. Maintain a minimum distance of 3.5m (11.5ft.) from the edge of the pool when recharging the batteries of the cleaner.
7. Before operation, unplug the charging cable from the control box.
8. Unit is **NOT** intended for **COMMERCIAL USE**. Unit is **NOT** intended for **OPENING A POOL** or for use in outdoor fountains, garden ponds and similar places.
9. Do not enter the pool while the pool cleaner is in the pool; even if the cleaner is in “Sleep Mode” it is not safe to enter the pool.
10. Ensure the electrical outlet used for charging is protected by a ground fault circuit interrupter (GFCI) or an earth leakage interrupter (ELI). **DO NOT use an extension cord or power strip.**
11. The pool cleaner must be charged for 1.5 - 2.5 hours before long term storage.
12. The sole purpose of this product is for use as a robotic pool cleaner as described in this manual; any modifications or other use will VOID the warranty.
13. Do not allow children to use, touch, or play near or around the unit and the charger.
14. Do not use if the unit or charger is damaged in any way.
15. **MAKE SURE** the robotic pool cleaner is unplugged from its power supply and turned off before opening the unit or performing any other maintenance.
16. It is recommended that you clean your filter and check the impeller to make sure it is free and clear of debris after every use.
17. Disconnect the charger from the outlet when not in use.
18. This appliance contains batteries that are only replaceable by skilled persons.
19. Pollution of the liquid could occur due to leakage of lubricants.
20. If your robotic pool cleaner is not working as it should or has been dropped or damaged in any way, contact Water Tech Customer Service.
21. Save these instructions. Refer to them frequently. Provide these instructions to others who may use the product.



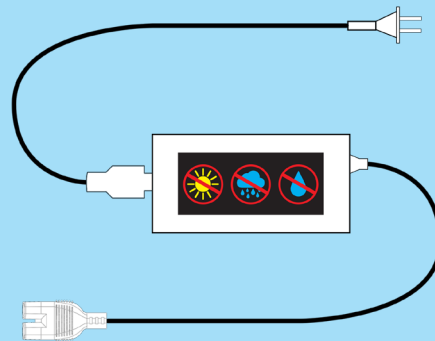
## Pool Blaster CX-1



## Hook



## Charger



\* The hook attaches to your standard size pool pole to help you retrieve the unit from your pool.



## CX-1 Specifications

Cleaning Coverage (sq. ft./hr.).....	3542 sq. ft./hr.
Minimal Operation Depth.....	16 in.
Maximum Operation Depth.....	15 ft.
Run Time.....	Up to 4 Hours.
Charging Time.....	6-8 Hours.
Cleaning Width.....	18.0".
Suction Power.....	Up to 7200 gal. /hr.
Unit Size.....	19.85 x 18.0 x 11.0".
Unit Weight.....	21 lbs.
Shipping Weight.....	27 lbs.
Retrieval Hook Adapter.....	Yes.
Warranty.....	2 years.

## Charger Specifications

### AC-DC CHARGER:

- Input: 100-240AC Volts  
50-60Hz  
60W  
1.5A
- Output: 29V  
2.0A

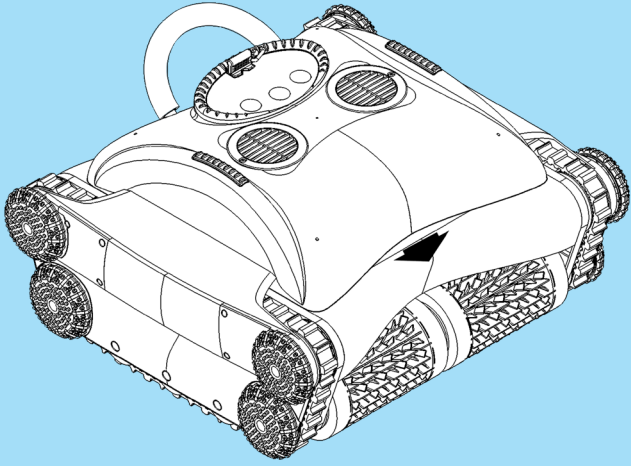
## Battery Specifications

Battery type.....	Li-Ion.
Battery Configuration.....	6S4P.

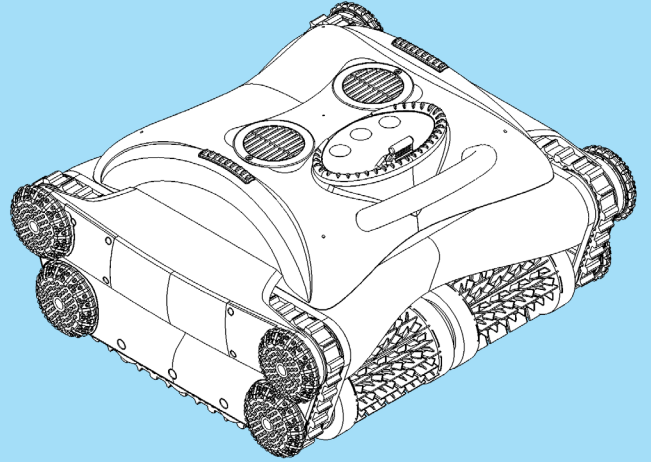
# Knowing Your Unit



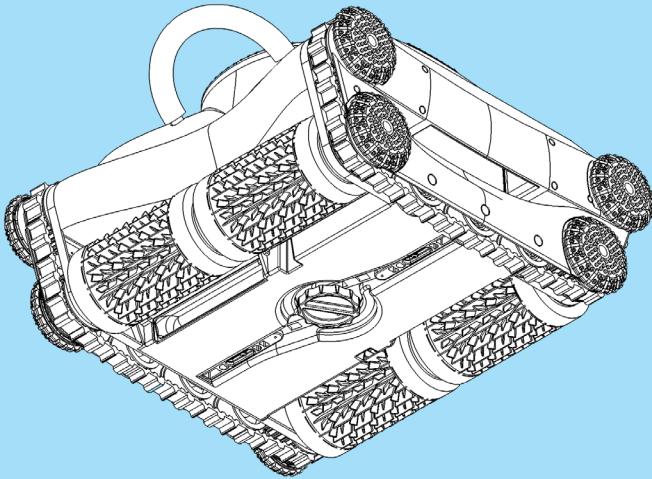
## Full Unit



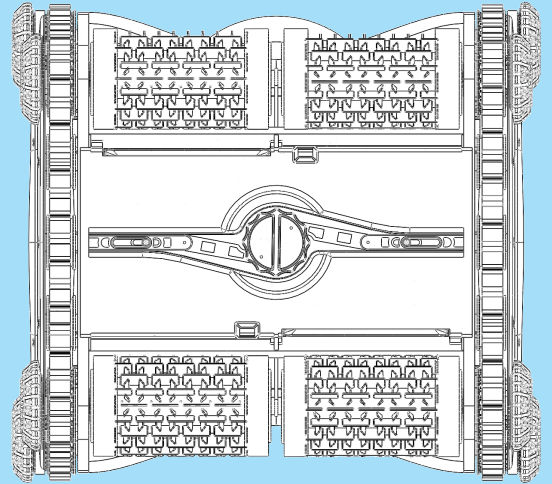
## Full Unit - Rear



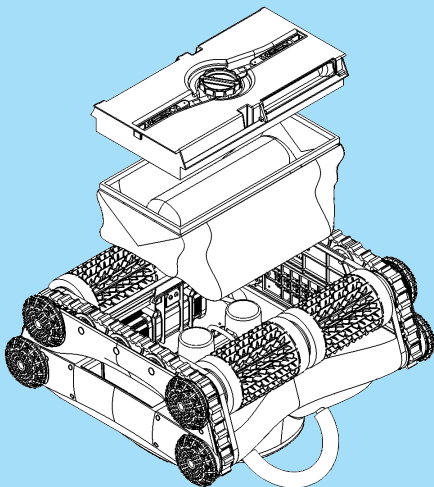
## Full Unit - Bottom



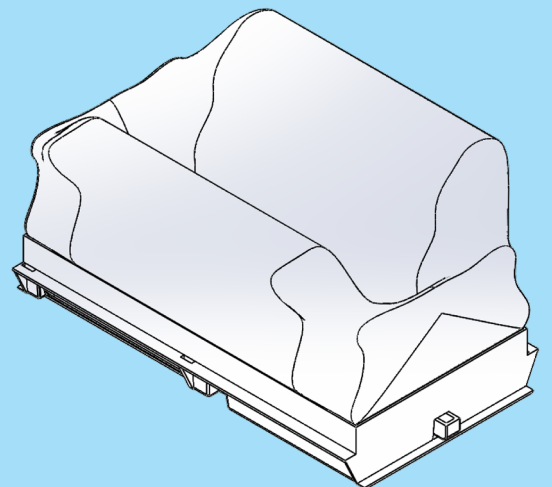
## Bottom - Cover Closed



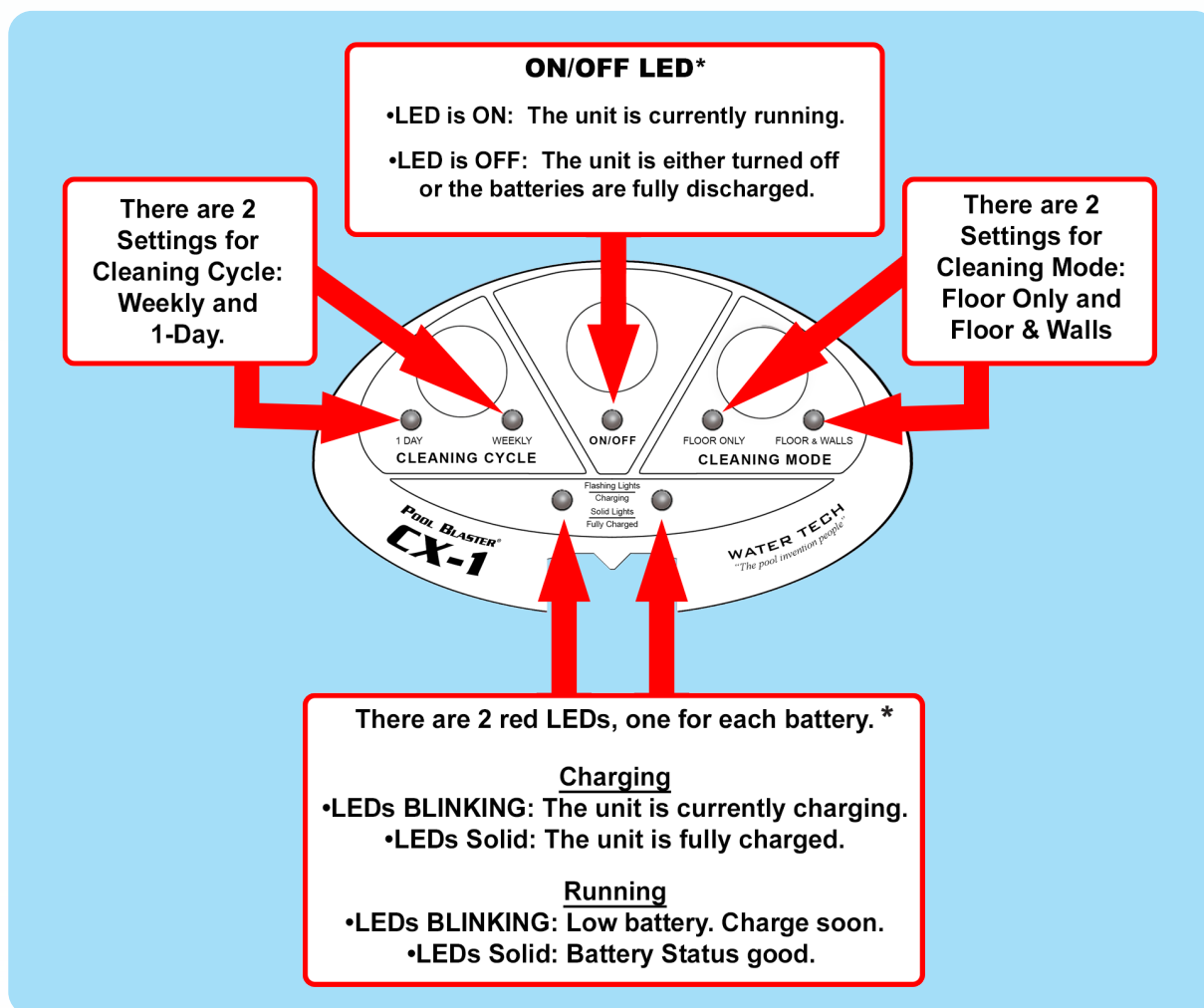
## Bottom - Filter Bag - Cover



## Filter Bag with Cover



# Knowing The Control Panel



On the next page, you will find more detail on how each mode and cycle works.

*\*Note: When your CX-1 is in sleep mode, only the Battery LEDs (and ON/OFF LED for “Weekly” Mode) will stay ON.*

## Smart Features

No matter which modes are chosen, these smart features are included into the software:

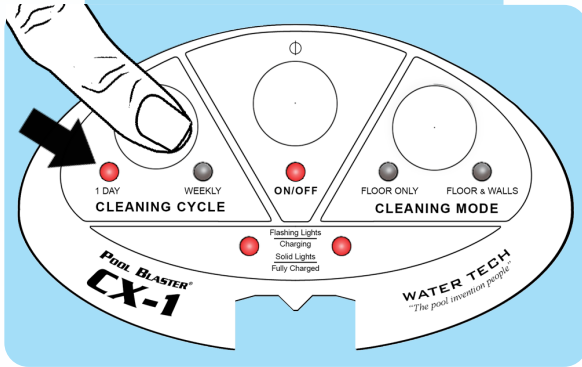
- **Upside-down:** The CX-1 is fully capable of detecting when it is upside-down and can then reorient itself to continue cleaning. It also has a feature where, if it cannot flip itself over (such as if it is stuck on an obstacle or too full of heavy debris), it will shut itself OFF to avoid wasting energy from the batteries. When this happens, you can flip over your CX-1 and it will start cleaning again.
- **Out of water:** The CX-1 can detect when it is in or out of water and will avoid wasting energy when it is out of the water. It will also drive itself back into the water, which is especially useful for beach style pools or pools with steps. If the CX-1 is out of water for too long, it will shut itself down (with the LEDs still ON). To continue operation you must turn it OFF and ON again.
- **Cleaning Path:** The CX-1 is programmed with a completely unique cleaning path that will fit any non-commercial size, shape, and style of pool.

## a. Select Cleaning Cycle



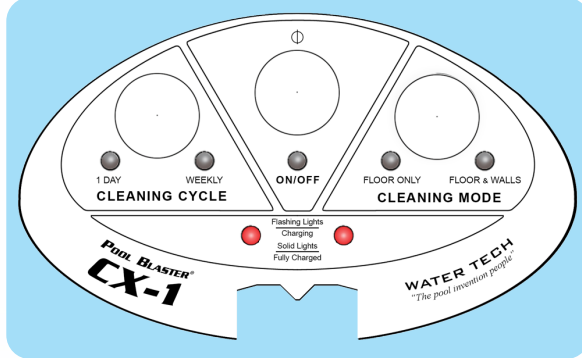
You can program the CX-1 to run for 2 hours or in intervals over a week long period.

### 1-Day Cleaning Cycle



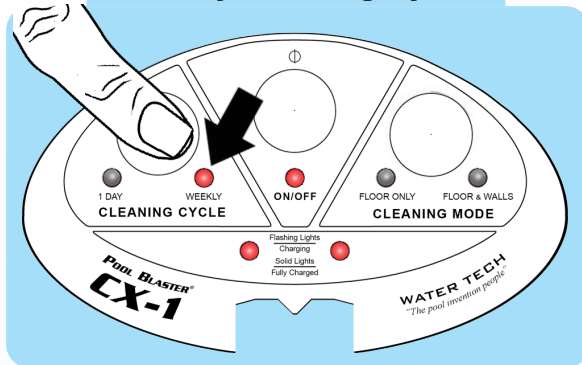
- **1-Day:** The CX-1 will run continuously for up to 2 hours and then go into sleep mode. If 2 hours is not enough, you can wake the robot from the sleep mode to start another 2-hour cycle. The robot can run for two “1-Day” cycles on a single charge. This mode is most effective for thorough cleaning of a dirty pool.

### Sleeping during 1-Day Cleaning Cycle



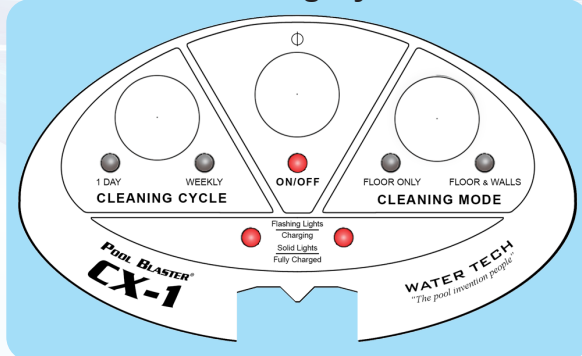
- In “1-Day” Sleep mode the ON/OFF LED is off and both battery LEDs stay on. The robot will not wake from this “Sleep” mode until you turn the robot OFF and ON (or press the “Cleaning Cycle” button). It is recommended to turn the robot OFF if you do not intend on using it again immediately.

### Weekly Cleaning Cycle



- **Weekly:** The CX-1 will run on a schedule (illustrated on next page) that will end after 7 days, at which point the battery will be fully discharged. This mode is most effective for maintaining a clean pool as it will clean the debris that slowly accumulates throughout the week.

### Sleeping during Weekly Cleaning Cycle



- When in Weekly Sleep mode, both Cleaning Mode and Cleaning Cycle LEDs will turn off. Only the ON/OFF LED and the battery LEDs will stay on for the entire time that the robot is in sleep mode. You can leave the CX-1 in your pool while it's in sleep mode. If you take your CX-1 out of the pool, make sure you place it facing the pool so it can drive itself back in when it wakes up.



# Weekly Cycle Running Schedule



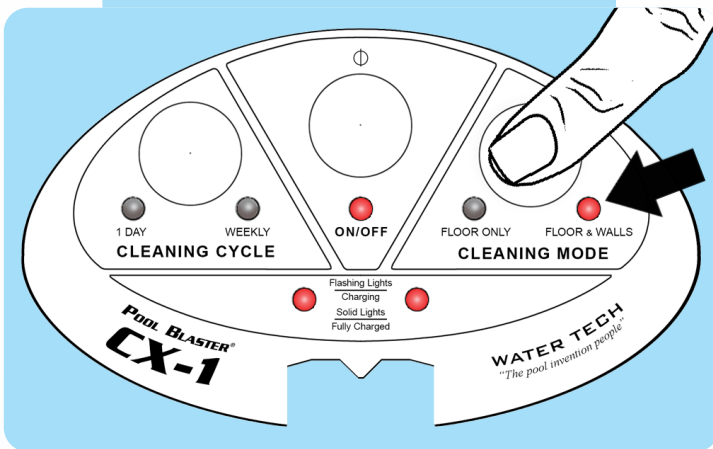
Weekly cycle runs your robot every day for a full week. Starting from when you first turn it on, the robot will clean approximately 60 minutes. Then at the same time every day for the remainder of the week, the robot will run for approximately 30 minutes.

Day 1	Day 2	Day 3	Day 4	Day 5	Day 6	Day 7
60 MINS.	30 MINS.	30 MINS.	30 MINS.	30 MINS.	30 MINS.	30 MINS.* <small>*(actual runtime may vary) REMOVE FROM POOL TO CHARGE</small>

## b. Select Cleaning Mode

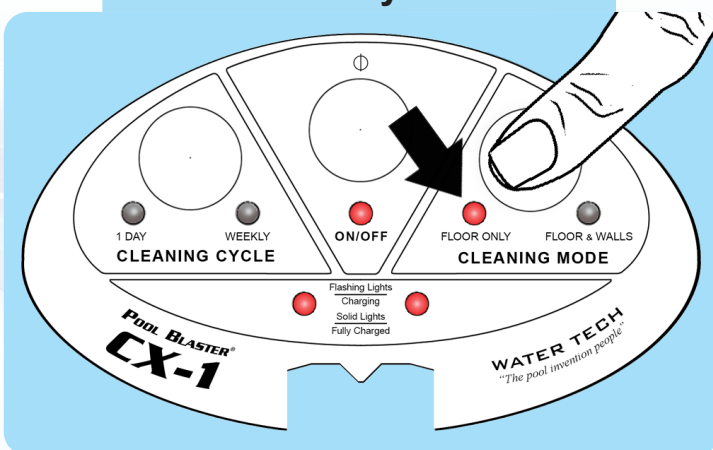
- **Cleaning Modes:** The CX-1 is equipped with tilt sensors to help achieve the customer's desired cleaning mode.

### Floor & Walls Mode



- **Floor & Walls** – The CX-1 will clean the floors and climb the walls, enabling the CX-1 to scrub the waterline.

### Floor Only Mode



- **Floor Only** – The CX-1 will stay on the floor, picking up debris and scrubbing scum. It will partially climb the walls enough for it to clean the hard to reach edges along the bottom of some pools.

# Prepare the Cleaner for Use



## a. Charging your cleaner

### CHARGING TIME: 6-8 HOURS

**Be sure to charge in a dry, shaded area.**

The robot cannot be charged while in the pool. But the robot can be charged immediately after removing from the pool. Just make sure that the pins of the robot's charging jack are dry before plugging in the charger.

*(The CX-1 will not run when the charger is plugged in).*

**DO NOT attempt to charge the CX-1 at temperatures above 113°F (45°C) or below 41°F (5°C).**

**DO NOT use extension cord or power strip.**

**DO NOT expose charger to water or direct sunlight.**

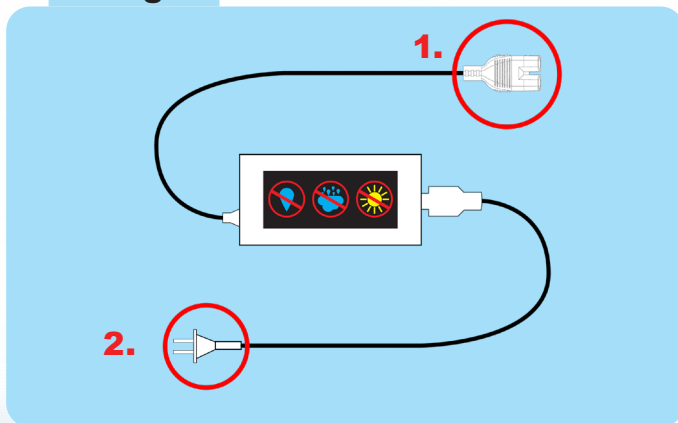
**DO NOT leave unit plugged into charger for extended periods of time.**

**DO NOT leave unit plugged into charger during long term storage.**

**ONLY USE the charger that came with the unit.**

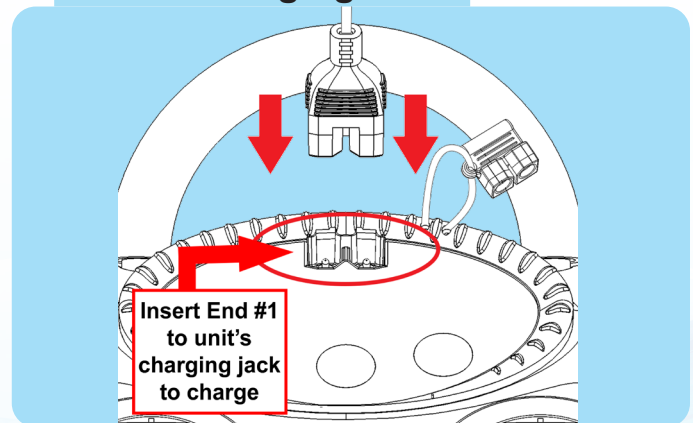
**MAINTAIN a minimum distance of 3.5m (11.5ft) from the edge of the pool when recharging the batteries.**

#### Charger



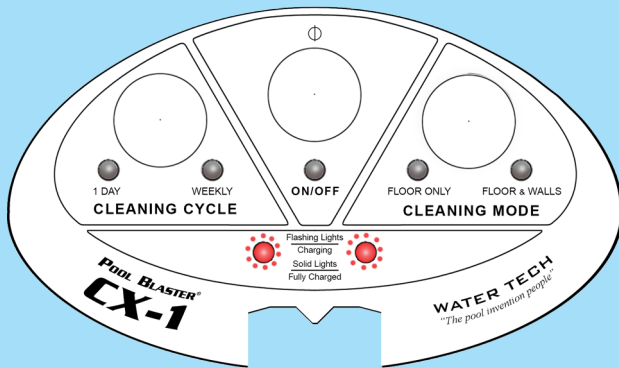
- End #1: To unit's charging jack.
- End #2: To an Indoor Grounded Residential power source.

#### Unit's Charging Jack



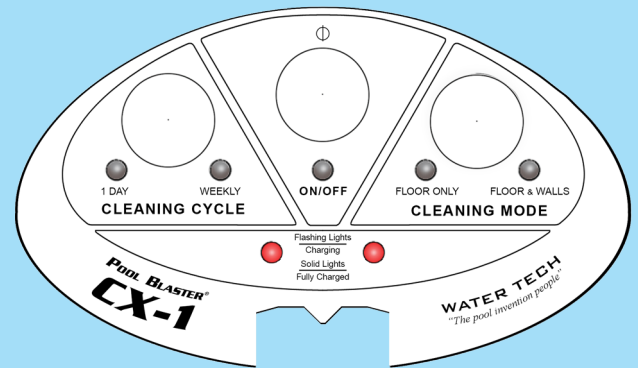
**Make sure there is no water present on the pins of the Unit's charging jack.**

## Battery Packs Charging (Flashing)



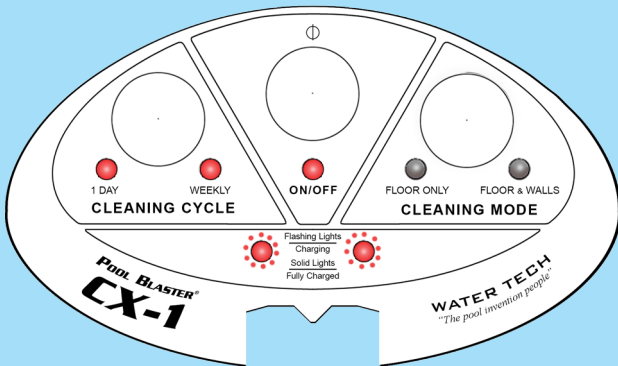
As both battery packs are charging, the LEDs (shown above) will flash.

## Battery Packs Charged (Solid)



Once a battery pack is fully charged, its LED will turn solid. It is common for 1 LED to turn solid before the other.

If one or both LEDs are not flashing or do not turn solid, contact Water Tech Customer Service.



If the CX-1 is charging with the Power (ON/OFF) Button turned ON, the “1-Day”, “Weekly”, and “ON/OFF” LEDs will be ON (as shown on the left). The CX-1 will not be able to operate until the Power (ON/OFF) Button is turned OFF and then back ON. If you notice these LEDs are ON during charging, it is recommended that you turn the Power (ON/OFF) Button OFF.

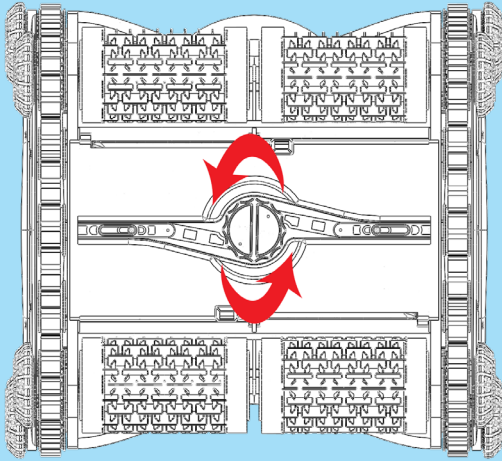
*\*This is a safety feature to ensure that the CX-1 does not turn itself ON while charging or shortly after unplugging the charger.*

# Prepare the Cleaner for Use



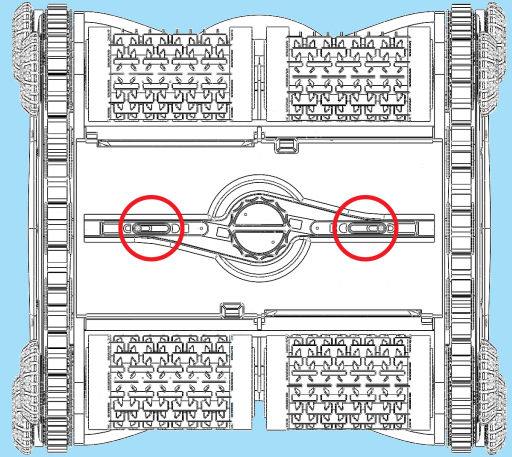
## b. Filter Bag mounting

### Closed Cover



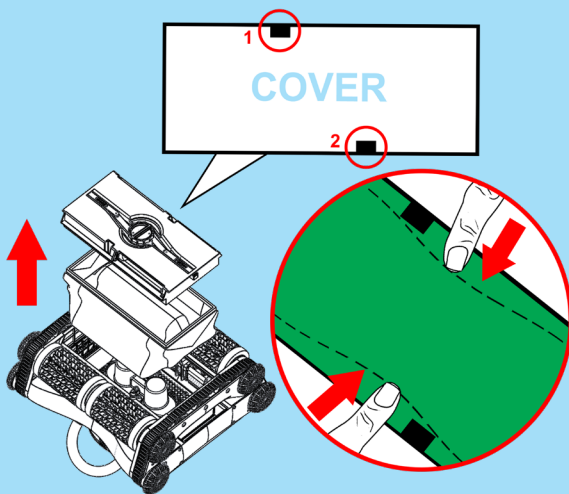
To remove the Filter Bag, flip the CX-1 upside-down and turn the knob on the bottom counter-clockwise.

### Unlocked Cover



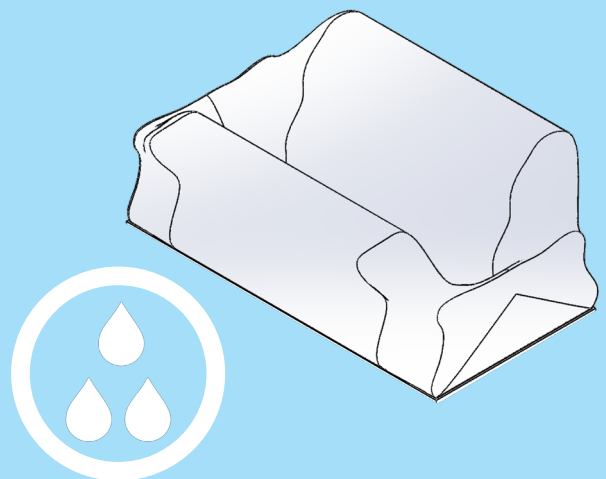
You will feel the knob “snap” as the lock is undone. Note that the locks will move inwards. This means the cover is unlocked.

### Filter Bag & Cover (Out)



Pull out the entire bottom cover. The filter bag will be locked by the locking tabs inside the cover (Illustrated above as #1 and #2). To remove the filter bag, carefully push the filter bag out of the locking tabs.

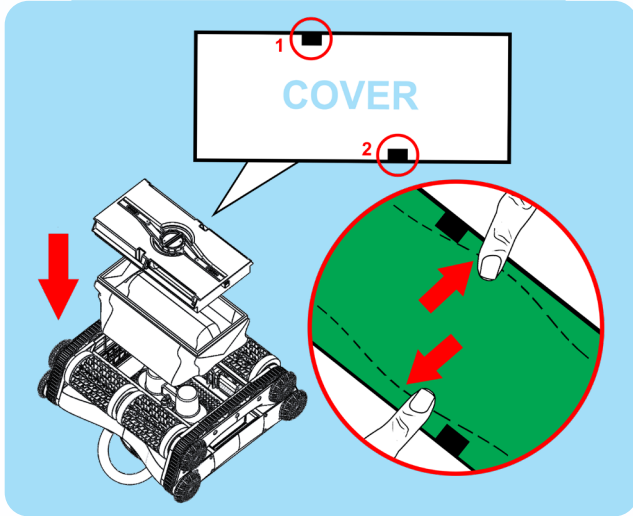
### Filter Bag



Remove the bag and rinse out with a hose or in a sink.

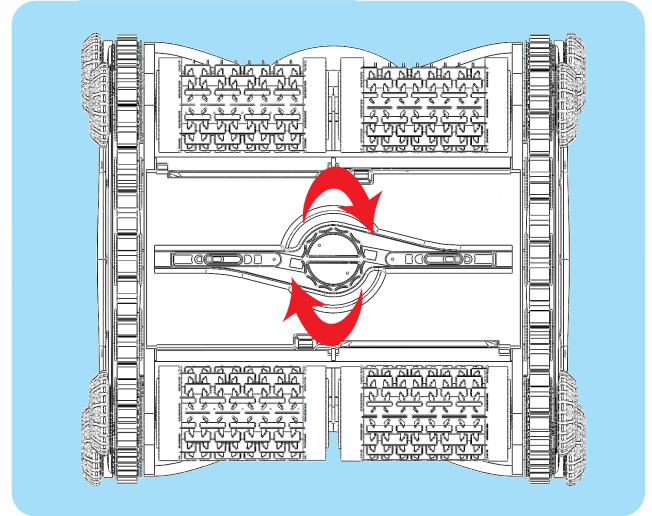


### Filter Bag & Cover (In)



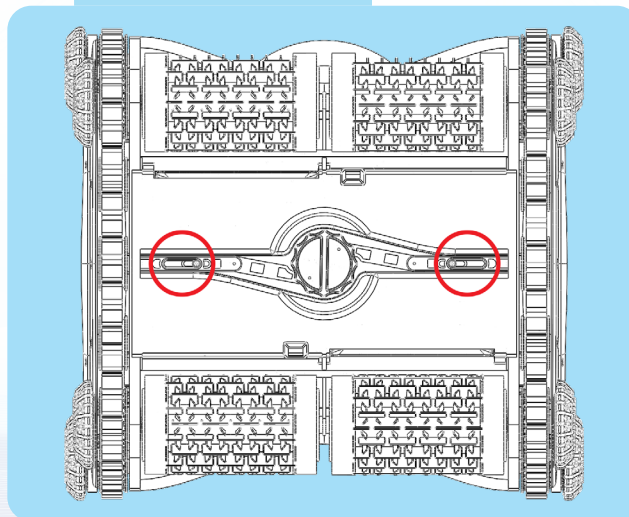
Re-insert the filter bag with the cover on top. Make sure you lock the bag under the two locking tabs (Illustrated above as #1 and #2). Then, insert bag into unit as you lower the cover into place.

### Lock Cover



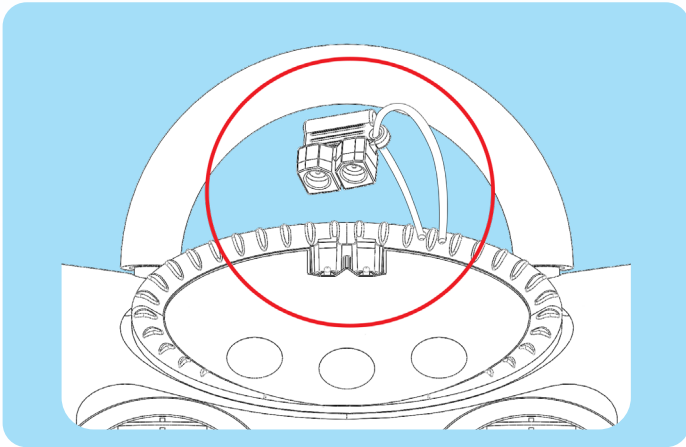
Turn the knob clock-wise to lock the cover. You will hear a “snap” again as the cover locks.

### Closed Cover



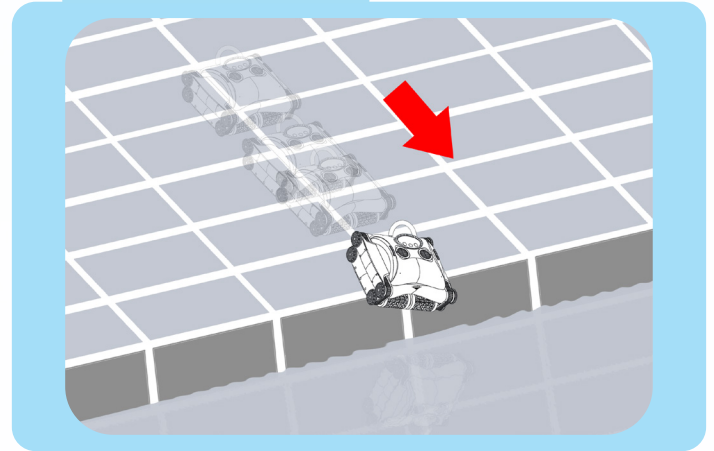
The locking tabs will move outwards.  
This means the cover is locked.

# Start Cleaning



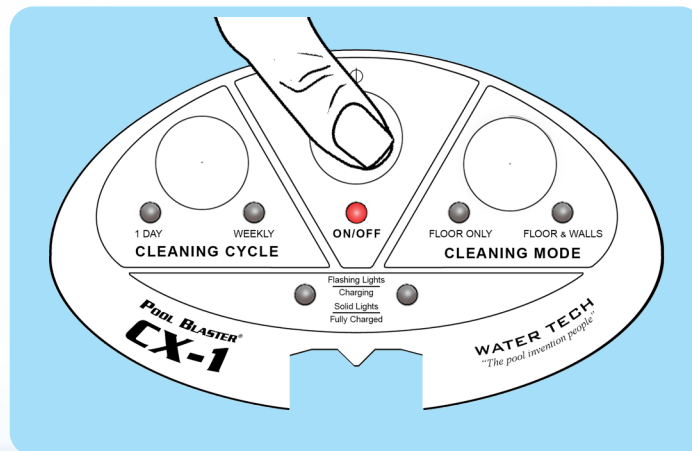
When the CX-1 is done charging, it's important that you **DO NOT** submerge the CX-1 in water without replacing the rubber plug covering the charging jack. Failure to follow this step could damage your unit.

## Aim at the pool



Aim the CX-1 at the pool (place robot roughly 3 ft. from the edge of the pool).

For above ground pools, drop the robot in the pool after selecting your desired settings



Push the ON/OFF button and select your desired Cleaning Cycle and Cleaning Mode.

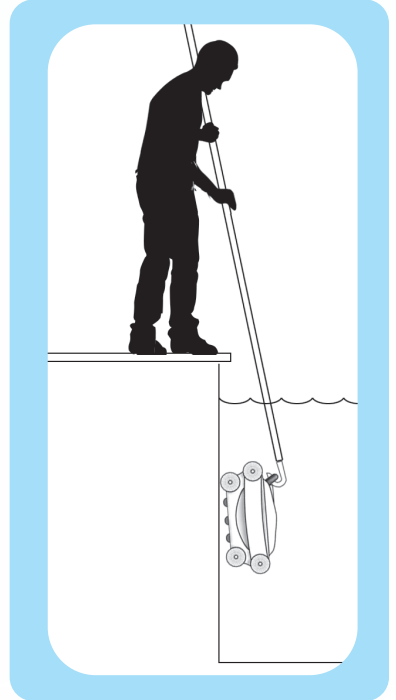
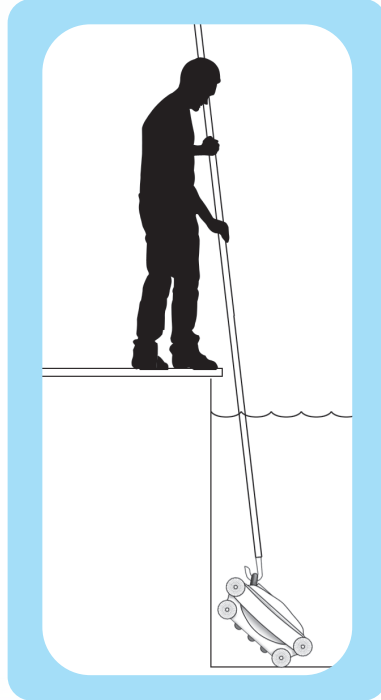
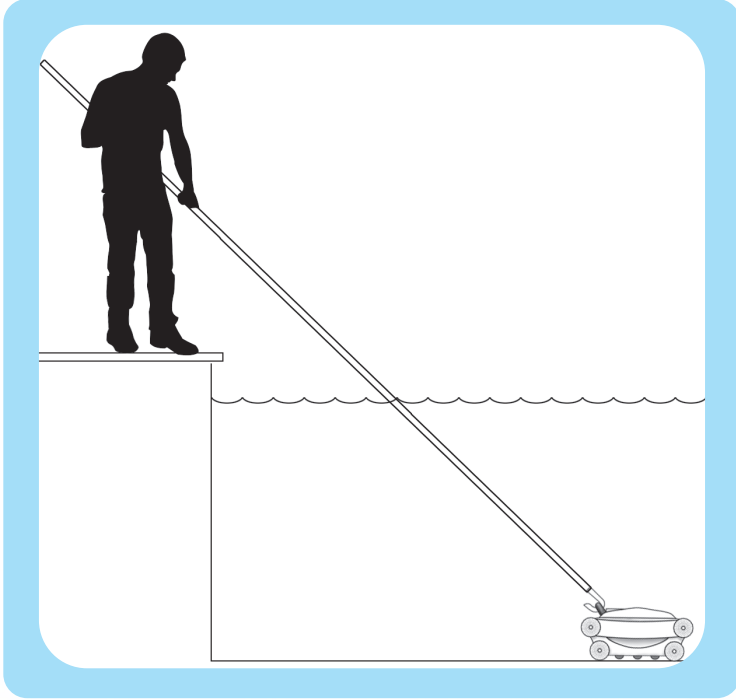
(After the robot is turned on, you will have 10 seconds to select your desired Cleaning Mode and Cleaning Cycle shown on Page 7-8)

# Retrieval After Use

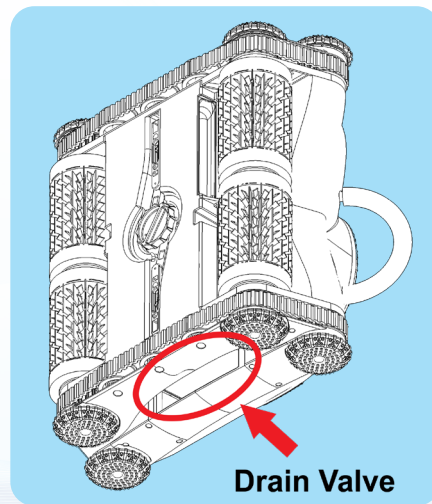
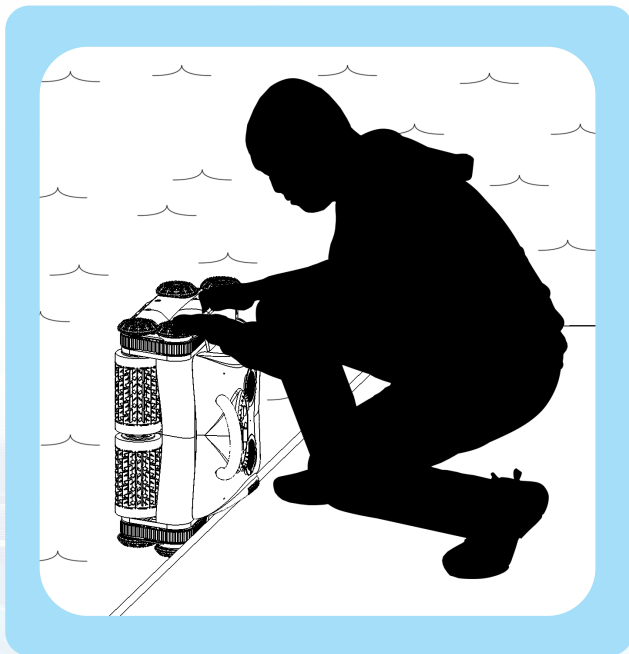
Do not enter the pool when the pool cleaner is in the pool.



**Warning! Risk of Drowning!**  
**NOT** a life saving device. Never allow children or persons who cannot swim to use this product. This product is designed to be used around a residential swimming pool and a person who cannot swim can drown if they accidentally fall into the pool while using or retrieving this product.



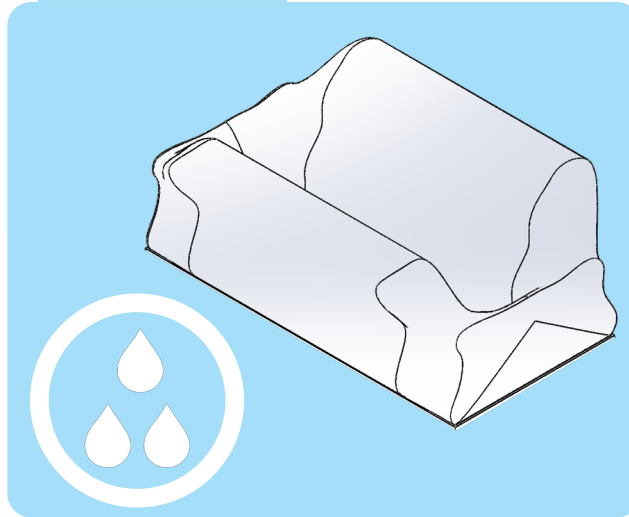
Lift the CX-1 to the surface using a slow, steady pulling motion. Remember, the CX-1 is heavy while full of water.



Rest the CX-1 on the edge of the pool to allow water to drain from the drain valve. Turn the power switch OFF when removing from pool, even if the batteries are fully discharged.

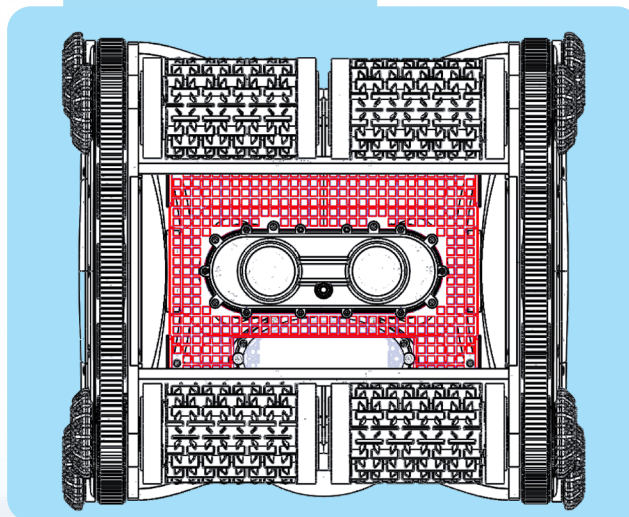


## a. Filter Bag



Always remove and clean the filter bag after every use. Do not store the unit with a dirty filter.

## b. Filter Screen

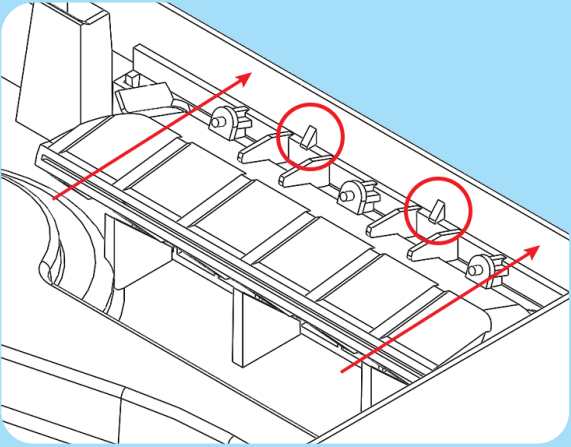


Check the filter screen (Highlighted in red above) for any debris that may have escaped the filter bag. It is recommended to occasionally clean the inside of the unit with a hose.

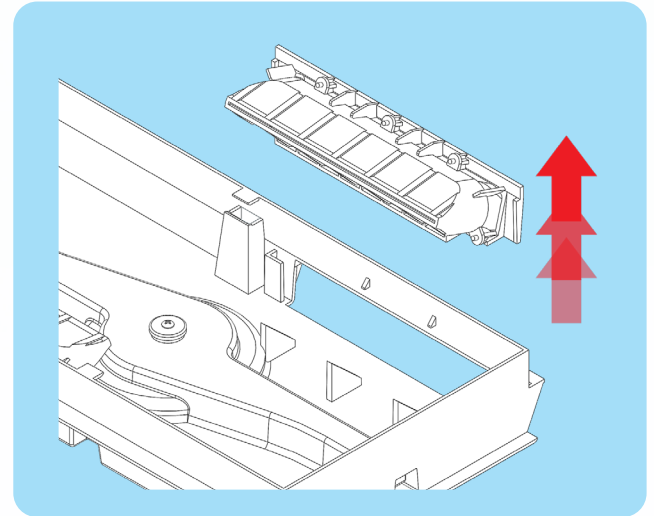




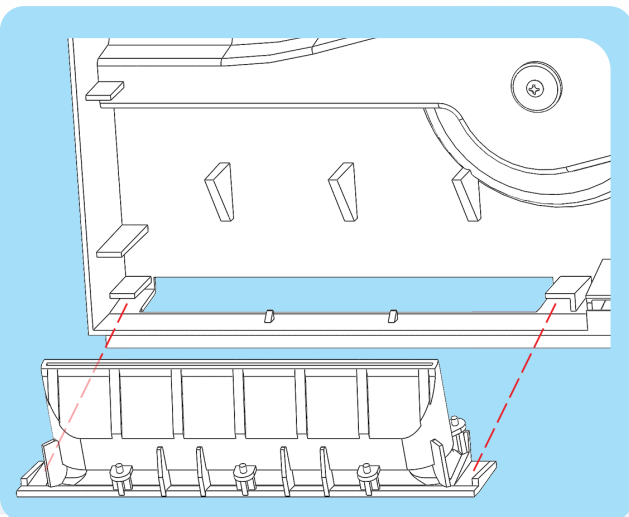
### c. Cleaning bottom cover



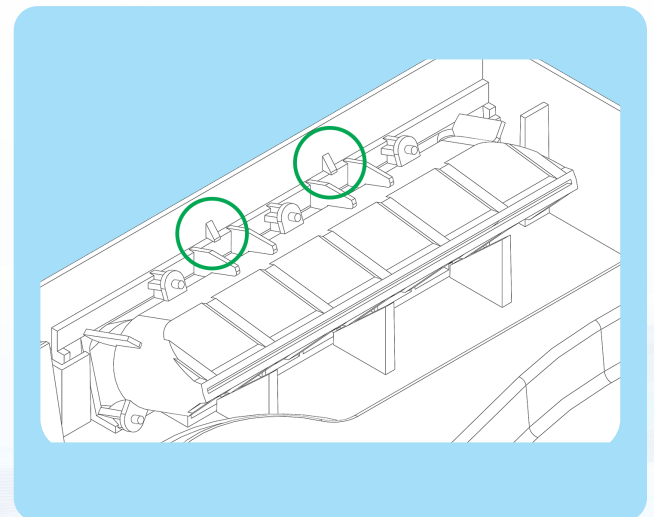
1. Press outward on the bottom cover so the valve mount can fit around triangular tabs (shown circled above).



2. While still pressing outward, lift the valve mount up and out of the bottom cover. Rinse out the valve mounts and bottom cover.



3. Align the valve mounts with the bottom cover and press down into place.



4. Press until triangular tabs snap back over valve mounts.



## e. Long Term Storage

- Before long term storage, run the CX-1 until the batteries are fully discharged. Then use the chart below to charge the batteries the appropriate amount before storing.

Number of Months to be Stored	3 Months	6 Months	9 Months
Number of Hours to be Charged	Charge for 1.5 hours	Charge for 2 hours	Charge for 2.5 hours

- Do not store the CX-1 at temperatures above 113°F (45°C) or below 41°F (5°C).
- After 9 months of storage, charge the batteries for 2 hours every 6 months.
  - Always store your CX-1 in a warm, dry, indoor shelter.
  - Don't leave the CX-1 plugged into the charger.
- At the start of the next season, charge the robot and make sure **BOTH BATTERY LEDs** start flashing while charging.

If one or both LEDs are not flashing, contact Water Tech Customer Service.



# CX-1 Calibration Procedure

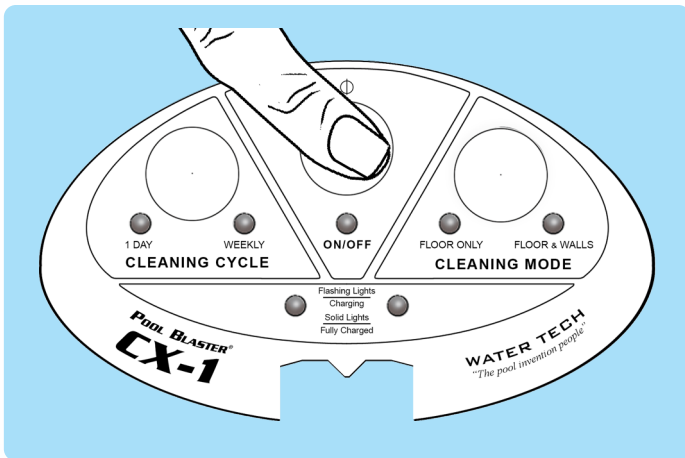
Only follow the instructions below if instructed to by Water Tech or the Troubleshooting / FAQs section.

**Make sure that the batteries are FULLY CHARGED and the unit is OUT OF WATER before calibrating.**

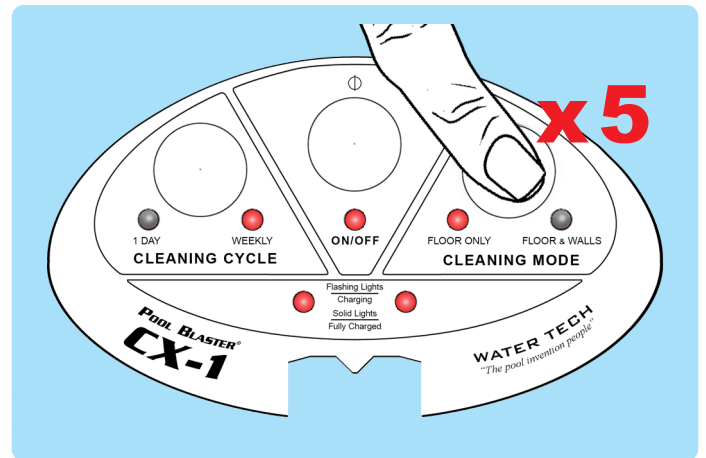


**Calibration Procedure:** Read all instructions before attempting to calibrate robot.

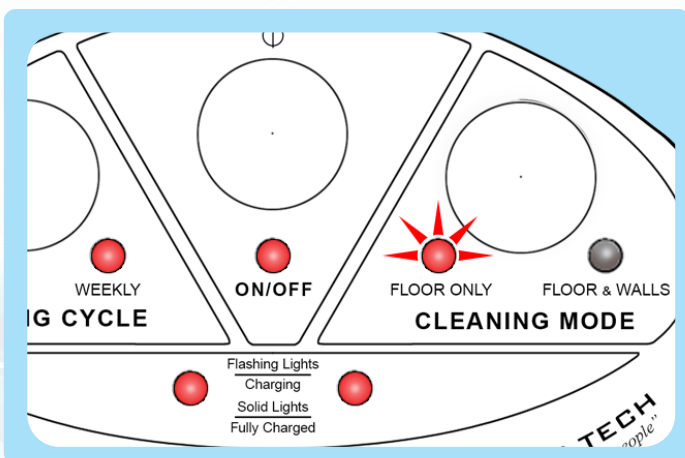
1. Turn ON the robot.



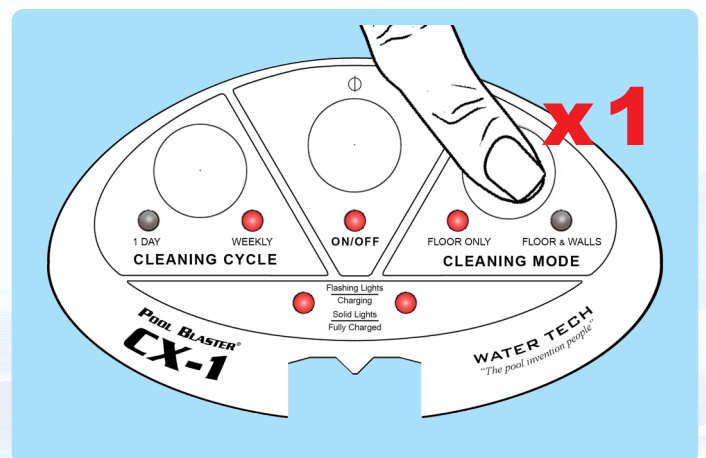
2. Within 5 seconds of turning the robot ON, press the “Cleaning Mode” button 5 times.



3. The “Floor Only” LED light will flash rapidly to indicate proper entry.

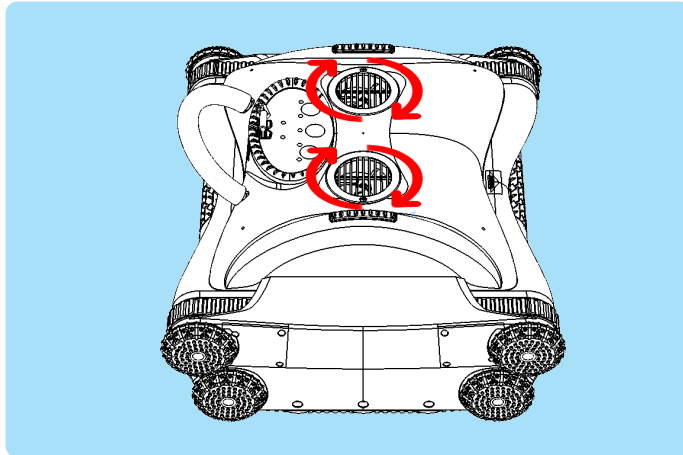


4. Wait for the “Floor Only” LED to stop flashing, then press the “Cleaning Mode” button one time.

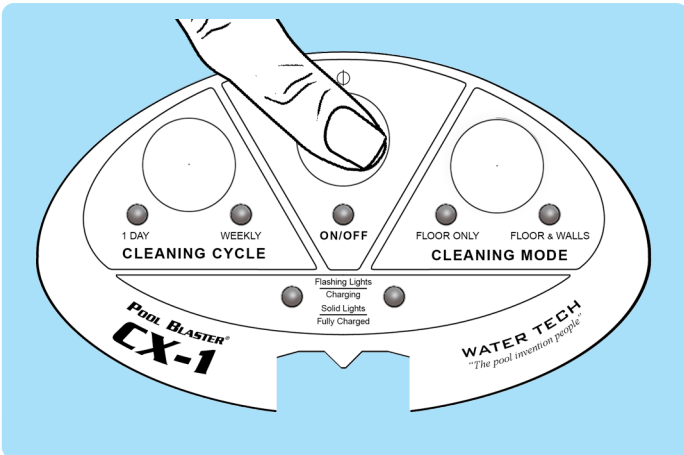


5. The pump will turn ON immediately after pressing the button.

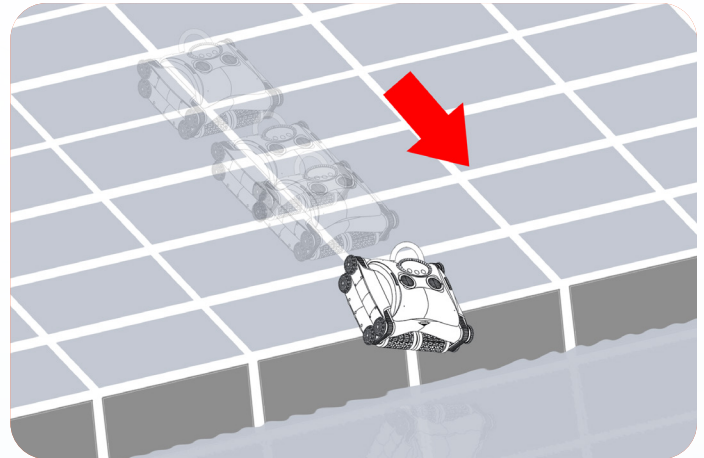
a. If the pump does not turn ON. Turn the robot OFF and try again.



6. Once the pump turns OFF, the robot has been calibrated. It is now OK to turn the robot OFF or place it by the pool and it will automatically turn ON within 5 seconds.



*(Turning robot OFF)*



*(Aiming robot at pool)  
(For above ground pools, drop the robot in)*

# CX-1 Troubleshooting



- **The robot is getting stuck on the main drain of my pool.**
  1. The robot should be able to free itself from the main drain after a couple of minutes.
  2. If your robot cannot free itself or is consistently getting stuck:
    - Do NOT purchase an aftermarket solution, and do NOT return your robot
    - Water Tech is willing to provide a free part that may help prevent this issue. Please contact Water Tech Customer Service to receive a free part.
- **“Floor Only” LED is flashing rapidly, and the robot is not moving.**
  1. Robot may need calibration. Follow the instructions on page 18 for calibration.
  3. If the problem persists, contact Water Tech Customer Service.
- **LED’s are flashing erratically and/or not changing properly after pressing buttons.**
  1. Contact Water Tech Customer Service regarding a “Control Box” issue.
  2. Do NOT attempt to charge batteries or use the cleaner.
- **If:**
  1. One or both battery LEDs are not turning on during use.
  2. One or both battery LEDs are not turning on during charging.
  3. One or both battery LEDs are not turning solid during charging.
  4. One or both battery LEDs are flashing immediately after a full charge.
    - Contact Water Tech Customer Service regarding a “Battery” issue.
- **Robot NOT Moving, power is ON, (and not in sleep mode).**
  1. Robot may need calibration.
    - See page 18 for calibration instructions.
  2. If the problem persists, contact Water Tech Customer Service regarding a “Control Box” issue.
- **Robot keeps cleaning after day 7 of the “Weekly” cycle.**
  1. Robot may need calibration.
    - See page 18 for calibration instructions.
  3. If the problem persists, contact Water Tech Customer Service regarding a “Control Box” issue.
- **One or both pump propellers are not spinning, or one or both track belts are not moving.**
  1. Contact Water Tech Customer Service regarding a “Replacement Motor”.
- **Robot appears to be slowing down.**
  1. Rinse / clean out the inside of the robot.
  2. Check alignment of brushes.
    - Rotate Brushes. The brushes, track belt and outer wheels should rotate in sync.
  3. If the problem persists, contact Water Tech Customer Service regarding a “Drive Motor” issue.
- **Robot appears to be losing suction.**
  1. Clean out the filter bag.
  2. Use a hose to rinse out the inside of the robot. Check the “Screen” for any debris, as shown in page 15 in the manual.
  3. Robot may need calibration.
    - See page 18 for calibration instructions.
  4. If the problem persists, contact Water Tech Customer Service regarding a “Replacement Motor”.

# CX-1 Troubleshooting



- **Robot is driving away during charging.**
  - Contact Water Tech Customer Service regarding a “Control Box” issue.
- **Robot is not moving and “1-Day”, “Weekly”, “ON/OFF”, and Battery LEDs are all ON:**
  1. Turn the robot OFF and ON again using the Power (ON/OFF) Button.
  2. Refer to page 10 for more information.
  3. If problem persists, contact Water Tech Customer Service regarding a “Control Box” issue.
- **Robot appears to be driving in circles or driving back and forth over the same area.**
  1. Robot may need calibration.
    - See page 18 for calibration instructions.
  2. If the problem persists, contact Water Tech Customer Service regarding a “Control Box” or “ Pump Motor” issue.
- **Robot is stuck upside-down in pool.**
  1. Flip the robot over – it should start back up immediately.
  2. Batteries may be fully discharged and the robot will not turn back ON.
  3. If the problem persists, clean out the filter bag and rinse the inside of the robot.
  4. Otherwise contact Water Tech Customer Service regarding a “Control Box” issue.
- **Robot is not covering the entire pool.**
  1. Try using different launch points: the robot has a tendency to spend more time in the deep end of most pools. We recommend launching the robot in the shallow end.
- **Filter Bag is not staying secure to bottom cover during use.**
  - Clean out the filter bag and bottom cover thoroughly.
  - If the problem persists, contact Water Tech Customer Service regarding a “Replacement Bottom Cover”.
- **Robot is driving around with the pump turned OFF.**
  - It is perfectly normal if this happens just after the robot falls off a wall.
  - If this issue occurs more frequently, the robot may need calibration, See page 18 for instructions
  - If the problem persists, contact Water Tech Customer Service regarding a “Control Box” or “Pump Motor” issue.

## CX-1 FAQs

- **Can I leave the robot in the pool?**
  - Yes, the robot can stay in the pool for up to 7 days, even with the battery fully depleted. Do NOT enter the pool while the pool cleaner is in the pool.
- **Can I leave the robot on the charger?**
  - Yes, the robot can stay plugged into the charger for up to 7 days. However, the robot MUST be



charged in a DRY, SHADED AREA. Leaving the charger in water or direct sunlight WILL damage the charger and VOID the warranty.

- **Can I remove the robot before it has finished a full cycle?**
  - Yes, the robot can be removed from the pool at any time. Please remember to turn the robot OFF when removing from the pool, or leave it facing the pool when in “sleep mode”.
- **How do I remove the robot from the pool?**
  - The CX-1 includes a hook which can be mounted to any standard pool pole. Use the hook to pick the robot up by the rubber handle. Refer to page 14 of the manual for more information.
- **Can I unplug the charger before the robot is fully charged?**
  - Yes, just note that the runtime will be decreased.
- **Why won't it clean my carpet?**
  - Because your robot is a water filtering machine for pools.
- **Can I charge the robot in the pool?**
  - No, absolutely not! ALWAYS remove the robot from the pool and charge in a DRY, SHADED AREA.
- **Can I charge the robot immediately after taking it out of the pool?**
  - Yes, just make sure the pins of the unit's charging jack are dry.
  - Charge the robot in a dry, shaded location.
- **Can I turn the robot ON while charging?**
  - No, the robot has safety features to prevent it from turning ON while charging. If the robot does turn ON during charging, contact Water Tech Customer Service.
  - ***DO NOT ATTEMPT TO SUBMERGE THE ROBOT IN WATER WHILE IT IS CHARGING!***
- **How do I know if the robot is fully charged?**
  - The two lights for the batteries will flash while charging and stay ON when fully charged.
  - A full charge will take roughly 6-8 hours.
- **How do I know if the battery is fully discharged?**
  - When all lights are OFF, the robot is fully discharged.
- **There are 2 lights blinking on the robot, what is wrong?**
  - When the 2 lights for the batteries are blinking, the battery power is low. Refer to page 6 for familiarization with the Control Panel.
- **Why is the robot climbing the walls in floor only mode?**
  - When in floor only mode, the CX-1 will climb the walls just enough to go parallel with the wall. This helps the robot better reach debris along the edge of the floor and wall.
- **How often should I clean the filter?**
  - Clean the filter after every use or more frequently as needed when you notice one of the following:
    - Difficulty picking up debris.
    - Difficulty flipping over when upside-down.
    - Clouds or small debris coming from the exhaust.



- **I put the robot in “Weekly” Cycle and now only 3 lights are ON, why is that?**
  - When in “Weekly” Cycle the robot will clean once a day for 7 days. When it is not cleaning, the robot is in “Sleep Mode” which is indicated by the 3 lights. See Pages 7-8 of manual for more information on “Weekly Cleaning Cycle”.
- **I put the robot in “1-Day” Cycle and now only the Battery Lights are ON, why is that?**
  - When in “1-Day” Cycle, the robot will clean for 2-hours and then enter “Sleep” mode indicated by the light display. The robot will not wake itself from this “Sleep” mode. You must manually start the robot to begin the 2nd 2-hour cycle. See page 7 of the manual for more information.
- **I finished charging my robot and now it won’t start, all the LEDs except for “Cleaning Mode” are ON.**
  - This a safety feature to prevent the robot from starting accidentally.
  - Turn the robot OFF and back ON using the Power (ON/OFF) Button.
  - Refer to page 10 for more information.
  - If this problem continues to occur, contact Water Tech Customer Service.
- **How does the CX-1 drive itself into the pool?**
  - Place the robot with the FORWARD arrow pointing TOWARDS the pool. When the robot turns ON, it will drive forward over the edge and into the pool.
  - THIS FEATURE DOES NOT WORK FOR ABOVE GROUND POOLS!
- **What happens if I do not cover the charging jack with the rubber plug?**
  - The charging jack could interfere with the software of the robot and cause strange behavior.
  - Slow discharge of the batteries will occur and shorten the run time.
  - The charging pins will corrode and reduce the life of the robot.
- **How do I store my robot for the winter?**
  - Charge your robot for 1.5 to 2.5 hours before winter storage. Make sure the robot is stored in a warm, dry, indoor shelter. See page 17 for more information on long term storage.
- **Can I run the robot without the filter bag?**
  - No, not intended for use without a filter.
  - Unfiltered debris may jam or obstruct the impeller and/or integral components.
- **Can I leave the robot out in the rain?**
  - If the charger is NOT connected to the robot, it is safe to leave out in the rain. It is safe to leave out in the rain. However, lightning strikes could severely damage the electronics. Do NOT leave out in lightning storm. Do NOT use if you suspect any damage due to lightning.
  - Charge the robot in a dry, shaded location.
- **My robot is falling off the wall, is this normal?**
  - Yes, when the robot reaches the surface, it is designed to fall off the wall rather than drive back down.
  - This saves energy, and the robot reorients itself after submerging.
- **Can I use my robot to clean a commercial / olympic size pool?**
  - Please be aware, runtime on fully charged battery packs may not be sufficient for commercial / olympic sized pools.





- **Can I open the pool with my CX-1?**

- The CX-1 is not intended for cleaning a pool just after opening.
- Once the pool has been properly cleaned after opening, it is safe to use the CX-1.

- **If my robot is in sleep mode and I clean my bag, what will happen?**

- When the robot is in sleep mode, it is safe to remove it from the pool. After cleaning the filter bag, the robot can be placed pool side and it will drive itself back into the pool when it wakes up. Please note that impeller maintenance should NOT be done when the robot is in sleep mode.

- **What happens if I store my unit when fully charged?**

- Li-Ion batteries are not meant to be stored for long periods of time at full charge. This can cause the battery to lose capacity which results in lower runtime of the robot.







10 Alvin Ct., Suite 111

East Brunswick, NJ 08816 - USA

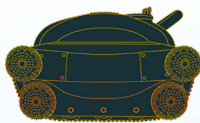
Tel: 732-967-9888 US, Canada & International

Fax: 732-967-0070 US & International

[www.WaterTechCorp.com](http://www.WaterTechCorp.com)



Register at [www.watertechcorp.com/register](http://www.watertechcorp.com/register)



**CX-1 VIP CUSTOMER SERVICE**

Tel: 732-967-9888 EXT. 250

Email: [robotvip@watertechcorp.com](mailto:robotvip@watertechcorp.com)