



LoRaWAN Water Pressure Sensor

Water / Oil / Hydraulic pressure



High precision probe



On-time monitoring



Long range transmission



Wireless configuration



Low power consumption



Built-in battery



IP67 waterproof



LoRaWAN Class A/C

High precision probe

$\pm 0.5\% \text{FS}$



Low power

Multi-protection

Anti-interference

Industrial design

Wide range

Range	Unit	Range	Unit
0~0.35	MPa	0~20	MPa
0~0.7	MPa	0~35	MPa
0~1	MPa	0~50	MPa
0~2	MPa	0~70	MPa
0~3.5	MPa	0~100	MPa
0~7	MPa	0~150	MPa

On-time monitoring

Data display any time on mobile or laptop



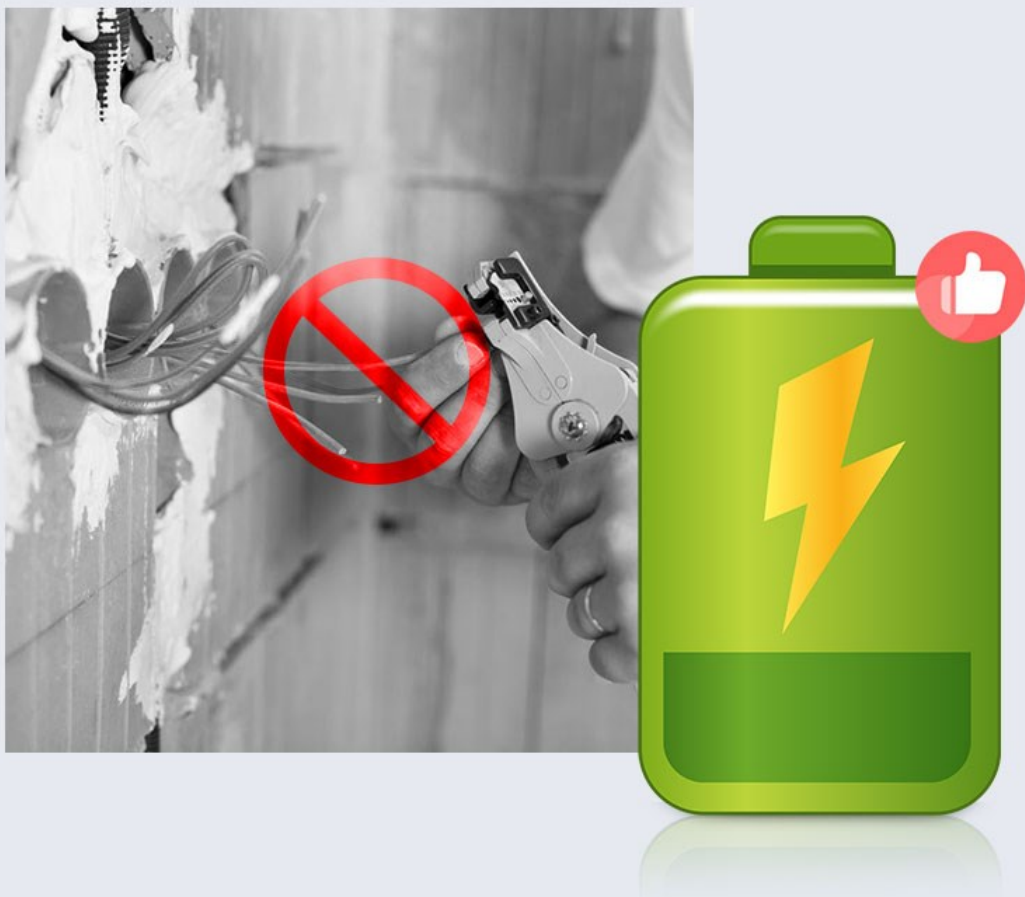
Strong penetration Long range transmission

Built-in LoRa wireless chip



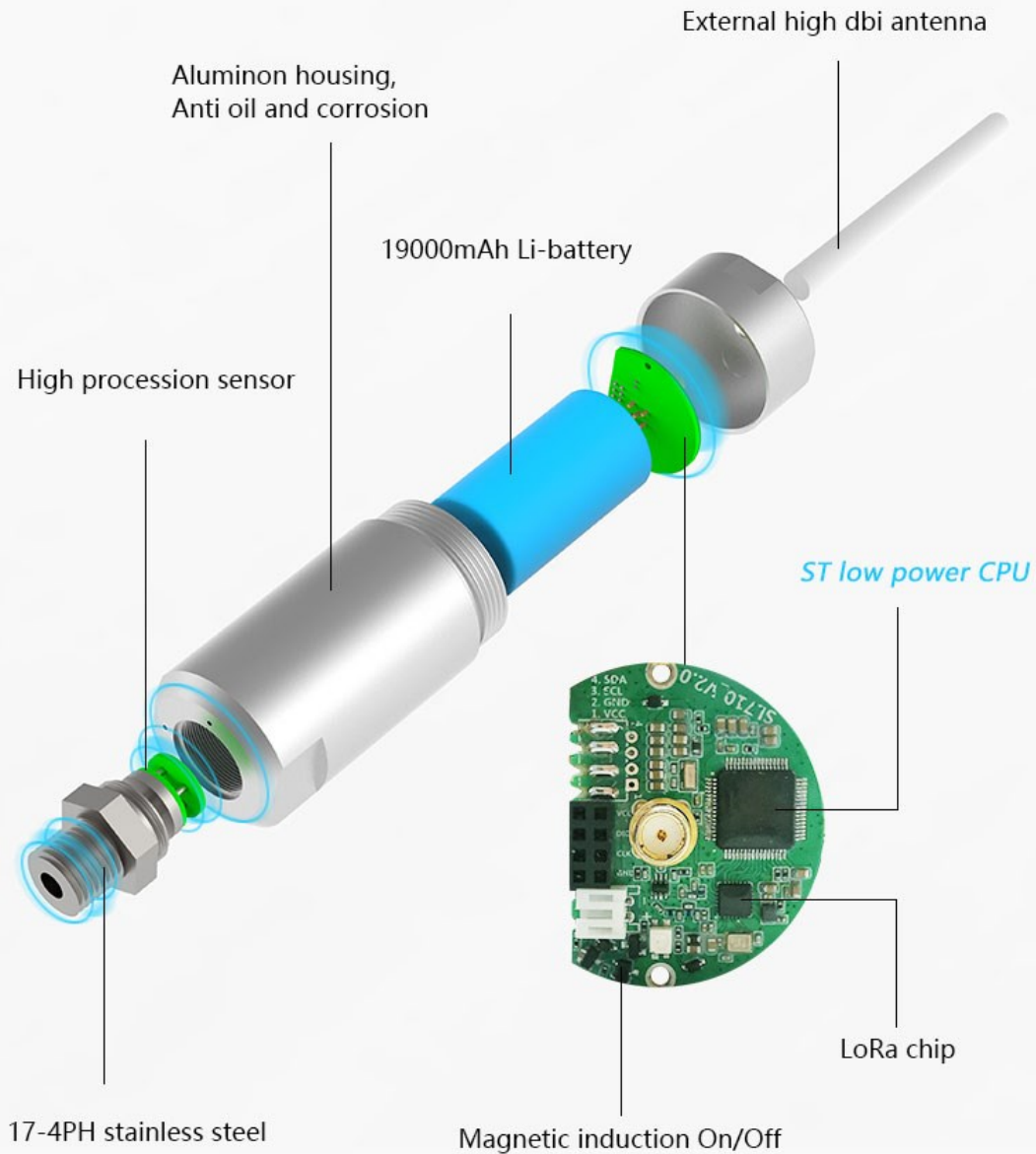
Built in Battery

19000mAh Li-battery, up to 5 years



Design for low power

Last up to 5 years



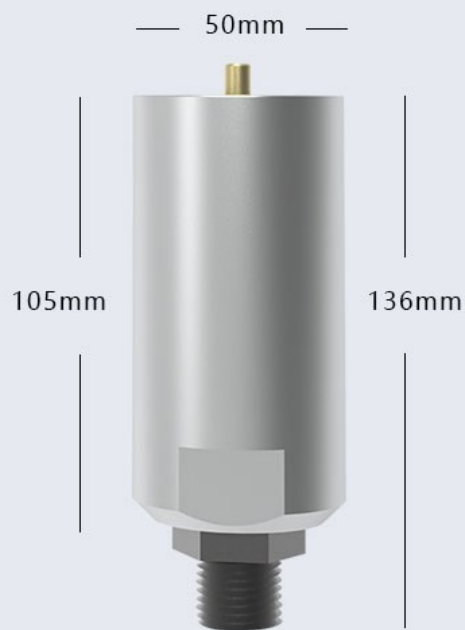
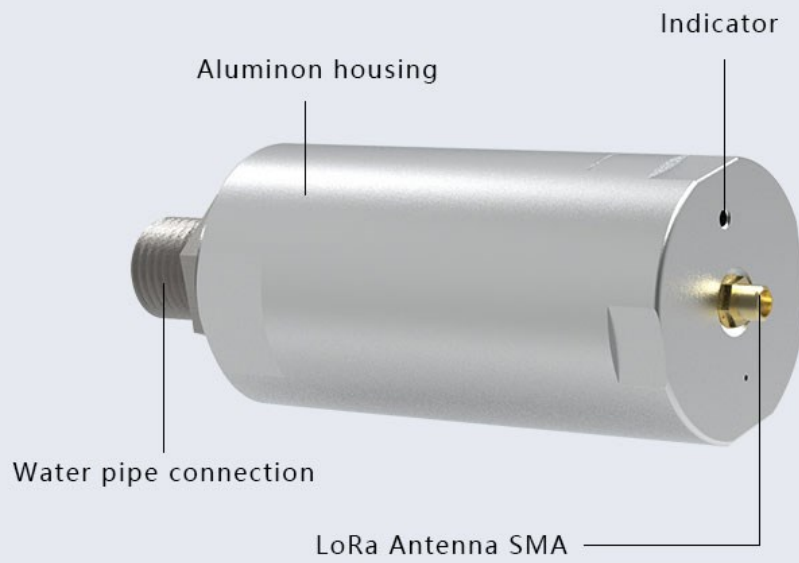
**IP67 Waterproof
High reliability**



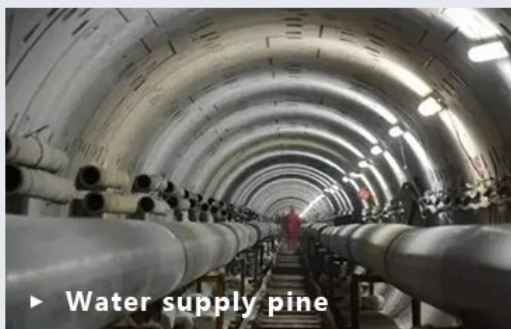
Wireless configuration



Small size



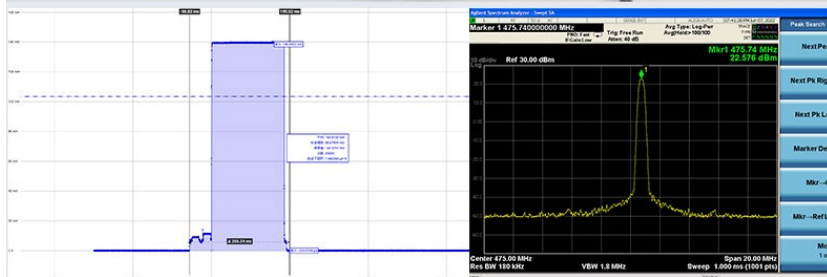
Multi-applications Customization available



Parameters

Parameters	Feature
CPU	STM32L151 CPU
Wireless	LoRa (SX1268/SX1262)
Encryption	AES128
Power	Built-in Li-battery (Non-rechargeable)
Capacity	19000 mAh
Battery life	8 Years (Data collecting every 5 seconds, data uploading every 10 mins @SF9)
Measure Range	0~3.5 MPa
Precision	±0.5 %FS
Long Time Stability	±0.25 %FS
Respond Time	5 Seconds (e.g data collecting time, configurable)
Communication	Half-duplex
Data Speed	300bps ~ 62.5 kbps
Size	102mm X 60mm X 25mm
Working Temperature	-40°C~85°C
TX Power	Max 22dBm
Sensitivity	-140 dBm
Antenna	SMA
Frequency	SX1268: CN470 SX1262: EU868 / US915 / AS923

Standby Current



Testing Project	Data
Time	24h
Connecting period LCP	5s
Updating period LFT	600s
SF	SF9
Updating time	0.225s
Connecting time	35ms
TX current	140mA
Collecting current	9mA
Sleeping current	0.006mA
Single collecting power	0.875uAh
Single TX power	8.75uAh
24h collecting power	1.512mAh
24h TX power	1.26mAh
24h sleeping power	0.144mAh
24h total power	2.916mAh
1 year total power	≈1095mAh Low power consumption

Note: Lab testing based on 19000mAh Li-battery, last up to 8 years.