



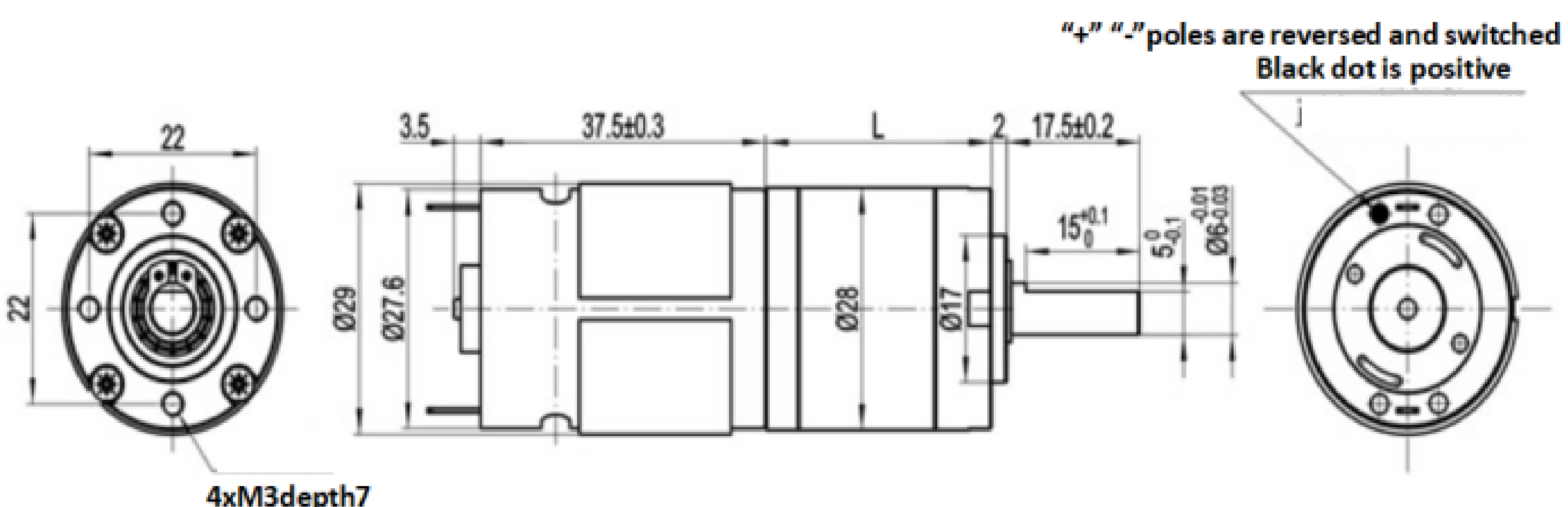
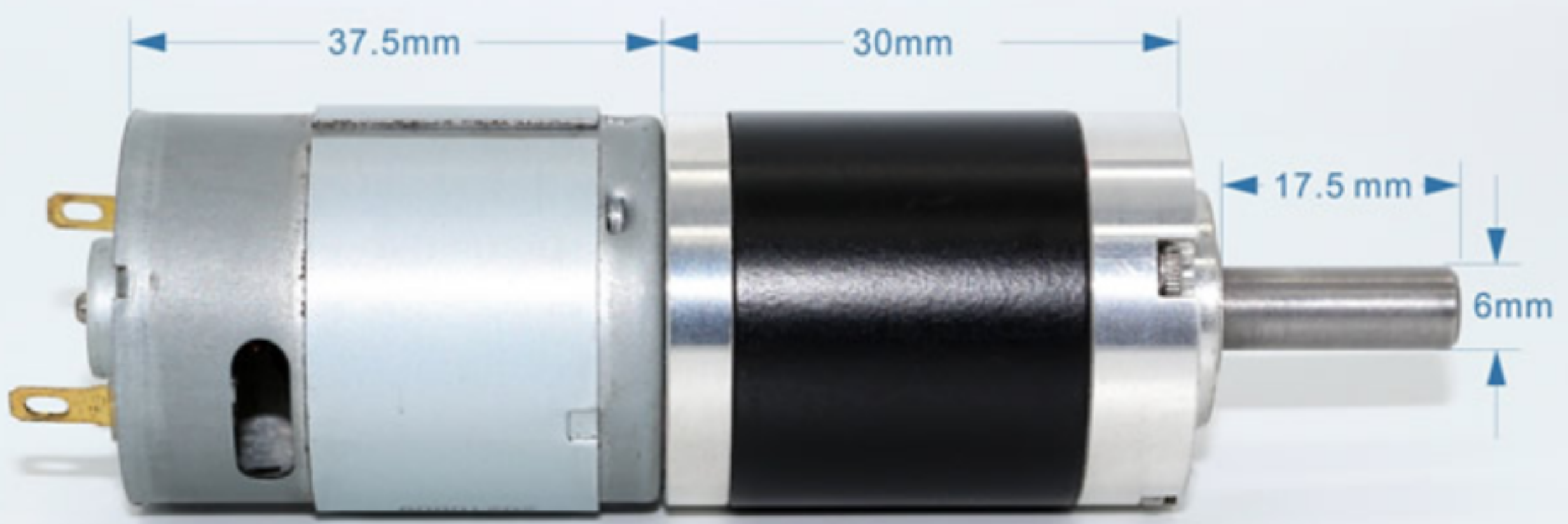
Shenzhen Jinshunlaite motor co., Ltd
 Professional Dc Gear Motor Manufacture

Customization Service OEM/ODM CE RoHS

CM28-385

Specification:		
Performance Range:	Key Features:	Typical Applications:
-Voltage: 12-24VDC	-Multi-speed optional	-Electric Curtain
-Speed: 17-2386rpm	-Low noise	-Electric Valve
-Torque :0.37-28.4Kg.cm	-CW/CCW Running	-Safe and Locking
-Shaft: D shape (Motor shaft shape and length can be customized)	-Adjustable speed	-Robot
-Construction : Permanent Magnet	-Small Size	-Home Appliance,
-Commutation : Brushed DC motor	-High Torque	-Precise equipment

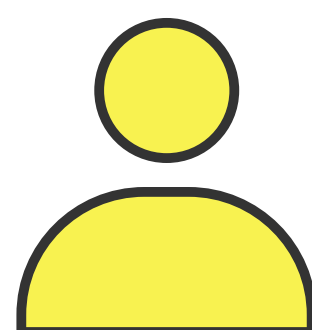
Drawing&Size



Datasheet:							
MODEL	VOLTAGE		NO LOAD		AT RATED LOAD		
	OPERATION RANGE	NOMINAL	SPEED	CURRENT	SPEED	CURRENT	TORQUE
			r/min	A	r/min	A	Kg.cm
CM28-385	6-24V	24VDC	2386	0.1	1324	0.764	0.37
	6-24V	24VDC	1726	0.1	1253	0.623	0.43
	6-24V	24VDC	712	0.1	562	0.462	0.74
	6-24V	24VDC	515	0.1	322	0.615	1.79
	6-24V	24VDC	372	0.1	260	0.55	2
	6-24V	24VDC	212	0.1	174	0.407	2.26
	6-24V	24VDC	153	0.1	112	0.534	3.39
	6-24V	24VDC	111	0.1	90	0.44	4.05
	6-24V	24VDC	80	0.1	71	0.359	4.73
	6-24V	24VDC	63	0.1	53	0.345	5
	6-24V	24VDC	46	0.1	35	0.634	15.63
	6-24V	24VDC	33	0.1	27	0.515	17.84
	6-24V	24VDC	24	0.1	19	0.611	26.3
	6-24V	24VDC	17	0.1	15	0.42	28.4

Remarks:

1. Shaft dimension can be customized.
2. The Voltage can be 6V-24V; The DC Motor's speed is adjustable.
3. This gearbox can matched with other DC Motor.



Contact Us:

Maggie lee

Director of international sales

Skype:lijingmaggie@outlook.com

Mp/Whatsapp:+86 15818723921

Email; manager@sxcmmotor.com