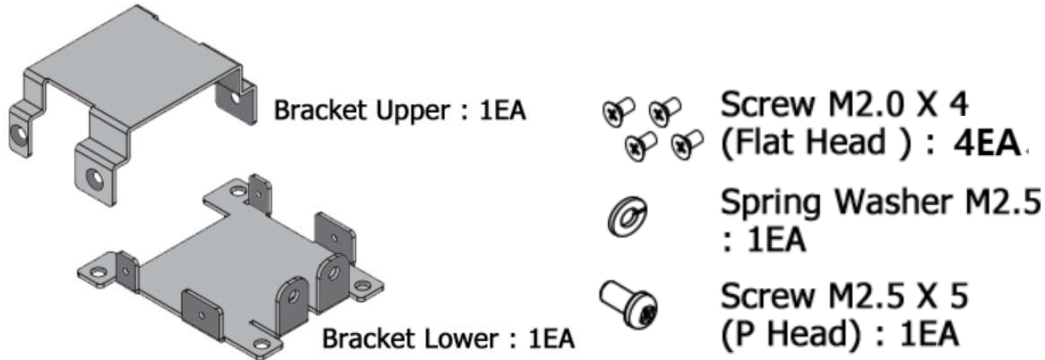


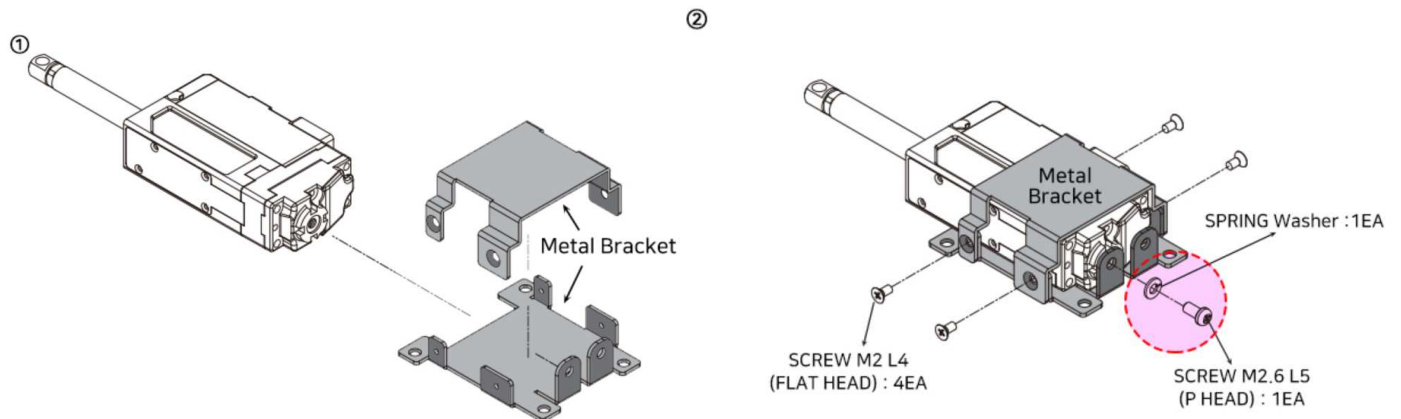
IR-MB02 Metal Bracket (Lateral Type)

- For mounting 26 and 27mm Stroke mightyZAP actuators laterally onto applications.
- For longer stroke mightyZAP, use IR-MB03 or Body case tapping holes.
- Referring to published drawings, user is also able to make this bracket at their end if necessary.
- Bracket material : Stainless Steel

Composition



How to mount



- It is also possible to install the actuator by turning it over in the opposite direction of the picture.
- Make sure to use Spring Washer included in the bracket package when fix M2.5 L5(P-HEAD) screw mark in the circle. Otherwise, it may cause serious product damage.

Thank you for your attention.