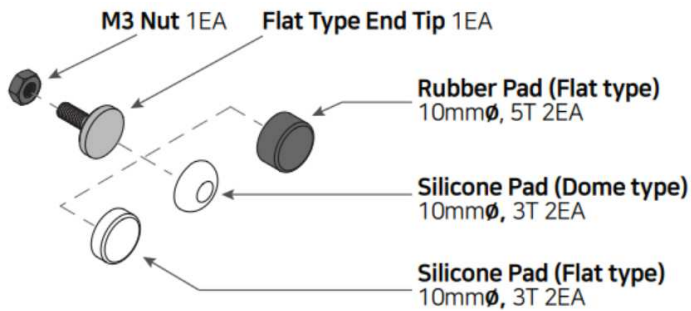


IR-GT01 Rod End Grip Tip

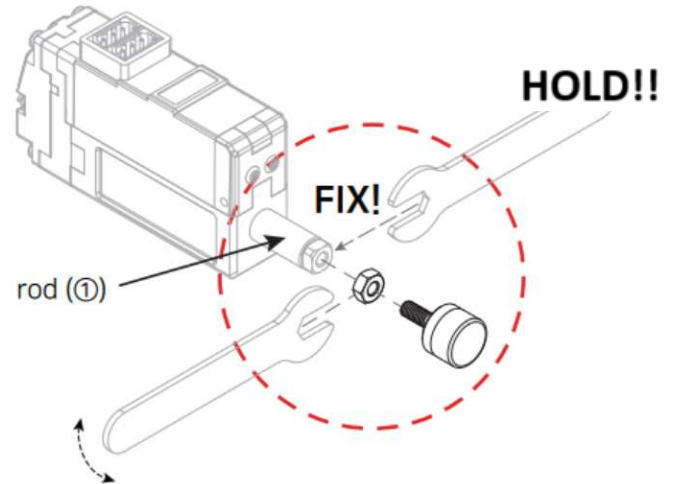
- For all mightyZAP actuators (L12, 12Lf, L7, D7 series, all stroke versions)
- The IR-GT01 is an accessory that prevents physical damage to the application object by attaching a tip with a soft pad to the rod-end of the mightyZAP.
- Three soft tips with different traits are provided so that user can selectively use them if necessary. For example, by attaching a rubber/silicone pad to the flat type end tip, it can be used to control by pushing or touching an object that is easy to be damaged, or to hold or lift an object using the frictional force of the silicone.

Composition



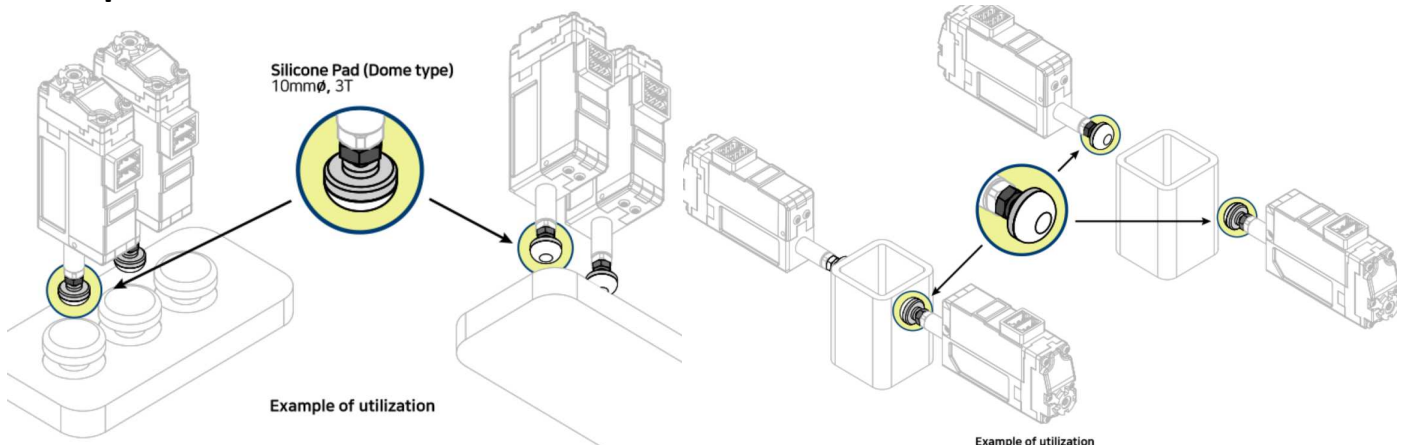
- Rubber Pad (Flat Type) : 2EA (10mm ϕ , 5T)
- Silicone Pad (Dome Type) : 2EA (10mm ϕ , 3T)
- Silicone Pad (Flat Type) : 2EA (10mm ϕ , 3T)
- Flat Type End Tip 1EA / M3 Nut 1EA
- The shape and specifications of the included silicone/rubber pads are subject to be changed

How to mount



Pay attention not to apply excessive turning force to the rod (1) when installing the end tip to the rod-end. Otherwise, it may cause product damage.

Example of Use



Thank you for your attention.