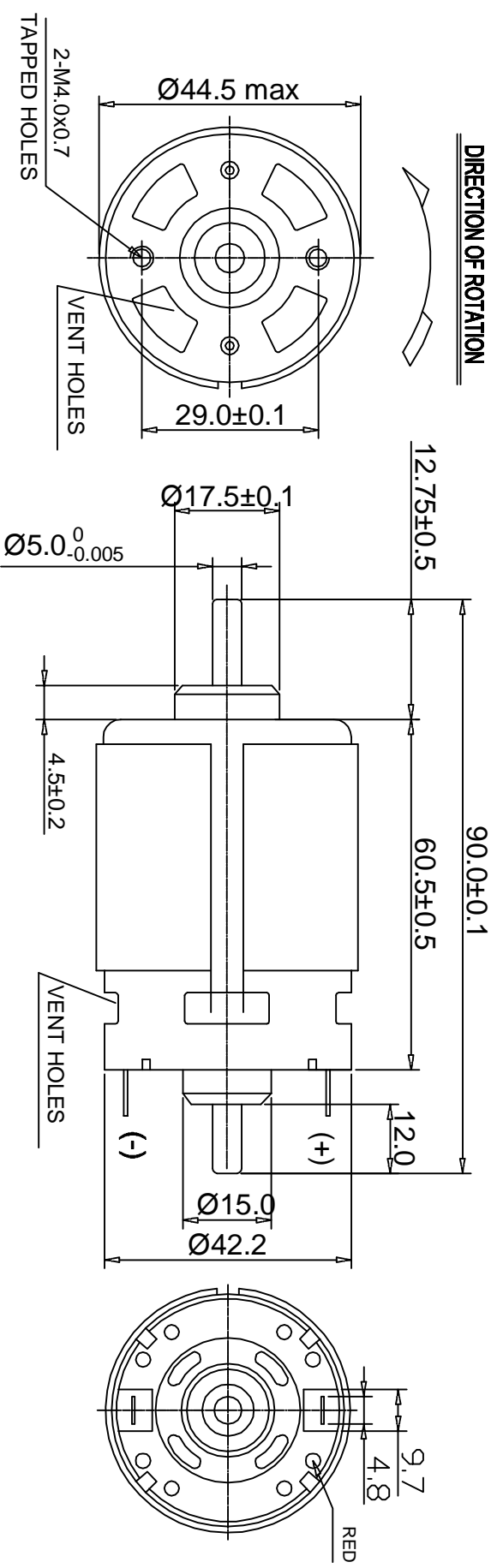


A B C D E F G H

Rev:	DESCRIPTION	POS	Date:



NOTES:

- 1, Dimensions, Modifications or Changes not indicated on this drawing do not apply unless confirmed by us in writing.
- 2, This Dim. applies only when motor shaft is in extreme right position.
- 3, Shaft end play is 0.05~0.5mm.

	REV.: A	TOLERANCE UNLESS SPECIFIED	Dwg by:	Yang	2015.06.01							
	Scale: 1:1	<table border="1"> <tr> <td>X</td> <td>± 0.2</td> </tr> <tr> <td>X.X</td> <td>± 0.15</td> </tr> <tr> <td>X.XX</td> <td>± 0.1</td> </tr> <tr> <td>ANGLE</td> <td>$\pm 3^\circ$</td> </tr> </table>	X	± 0.2	X.X	± 0.15	X.XX	± 0.1	ANGLE	$\pm 3^\circ$	Chkd by:	
X	± 0.2											
X.X	± 0.15											
X.XX	± 0.1											
ANGLE	$\pm 3^\circ$											
Units:mm			Appd by:									
Medel: RS-755PH-3840F												
Daw. NO.: SPR755-RS011503A-D												

6

5

4

3

2

1