

JOE PLOW



Manufactured and distributed by
© 2016 WowWee Group Limited.
All Rights Reserved.

WowWee Group Limited. Energy Plaza, 301A-C
92 Granville Road
T.S.T. East, Hong Kong

WowWee Canada Inc. 3700 Saint Patrick Street
Suite 206, Montreal
QC H4E 1A2, Canada

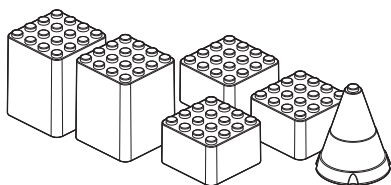
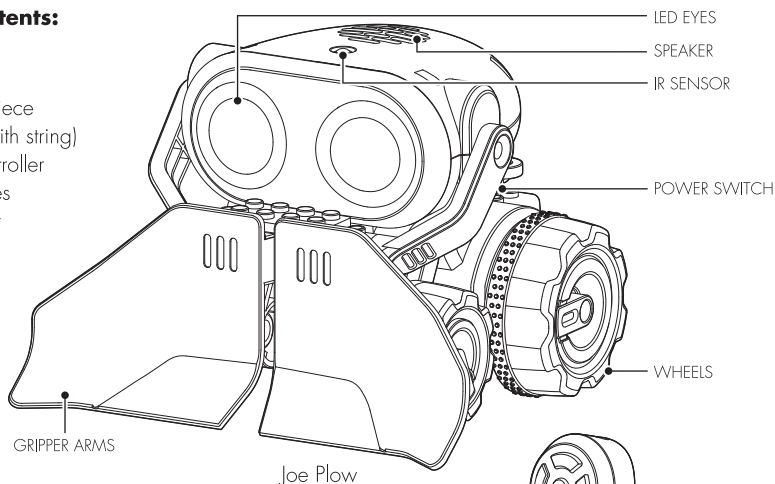
Customer Service: <http://wowweezone.com>

Item No.: 1551, 1555
Age : 4+

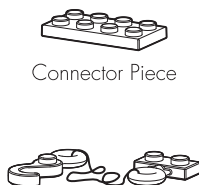
USER MANUAL

Package Contents:

- 1 x Joe Plow
- 1 x Plow Arms
- 1 x Connector Piece
- 1 x Tail Hook (with string)
- 1 x Remote Controller
- 6 x Builder Pieces
- 1 x Sticker Sheet
- 1 x User Manual

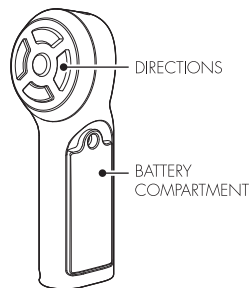


Builder Pieces x 6



Connector Piece

Tail Hook (with string)



Remote Controller

SOME DO'S AND DONT'S

Do's

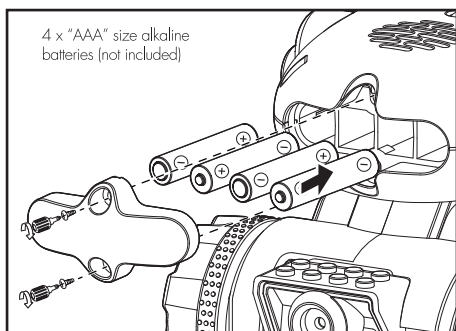
- For best results with the remote control, make sure the transmitter on the remote is in line with the receiver on Joe Plow's head.

Don't's

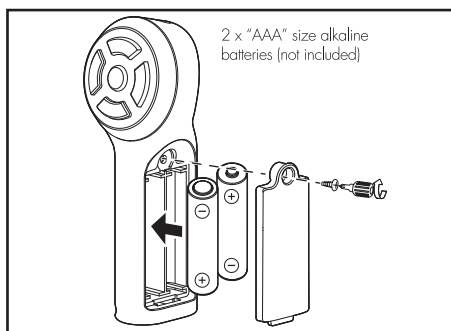
- Do not immerse Joe Plow or any parts in water, or any other form of liquid.
- Do not drop, throw, or kick Joe Plow as this might damage mechanical functions.
- Do not allow Joe Plow to roam near edges from which it could fall.

BATTERY INFORMATION

To change the batteries in Joe Plow, carefully lay it on its back. Do not place the robot where it could easily fall. To change the batteries in the remote controller.



Joe Plow Battery Diagram/Installation



Remote Controller Battery Diagram/Installation

Installing or changing batteries in Joe Plow / Remote Controller:

1. Using a Phillips screwdriver (not included) remove the screw on the battery compartment cover.
2. Insert the batteries according to the diagram. Ensure that the positive and negative polarities match the illustrations inside the battery compartment.
3. Replace the battery compartment cover and replace the screw using the screwdriver. Do not over-tighten.

LOW BATTERY INDICATORS:

Joe Plow

- When the batteries grow weak, Joe Plow will become less responsive and move or turn slowly. When this occurs, power OFF and replace all batteries.

NOTE: You will know when Joe Plow's batteries are nearly depleted because it will make a sound.

Remote Controller

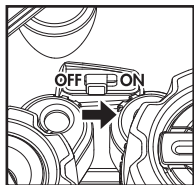
- **NOTE:** You will know when the Remote Controller batteries are nearly depleted because Joe Plow will not respond to commands, or the distance from which the Remote Controller works will be shorter.

IMPORTANT BATTERY INFORMATION

- Use only fresh batteries of the required size and recommended type.
- Do not mix old and new batteries, different types of batteries [standard (Carbon-Zinc), Alkaline or rechargeable] or rechargeable batteries of different capacities.
- Remove rechargeable batteries from the toy before recharging them.
- Rechargeable batteries are only to be charged under adult supervision.
- Please respect the correct polarity, (+) and (-).
- Do not try to recharge non-rechargeable batteries.
- Do not dispose of batteries into fire.
- Replace all batteries of the same type/brand at the same time.
- The supply terminals are not to be short-circuited.
- Remove exhausted batteries from the toy.
- Batteries should be replaced by adults.
- Remove batteries if the toy is not going to be played with for some time.
- Batteries should be recycled or disposed of as per state and local guidelines.

GETTING STARTED

After you've inserted batteries into your Joe Plow and Remote Controller, your hardworking bud is ready to play!



Before turning Joe Plow on, place it on a large, even surface. Next, shift the Power Switch located on the back to ON.

PLAYING WITH JOE-PLOW™

Once you've turned Joe Plow on, it's time to get to work!

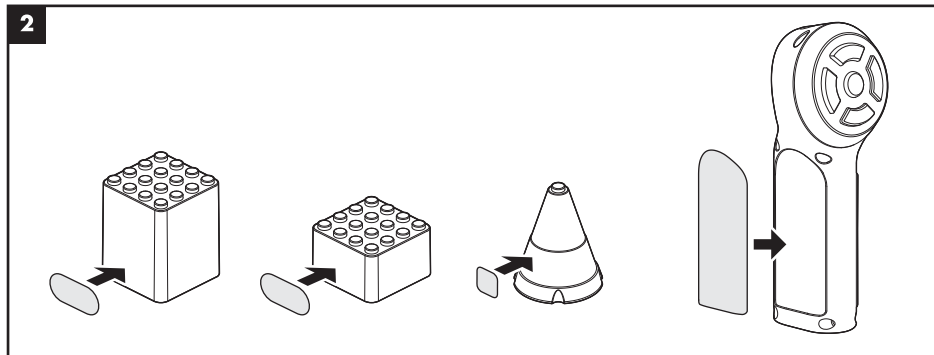
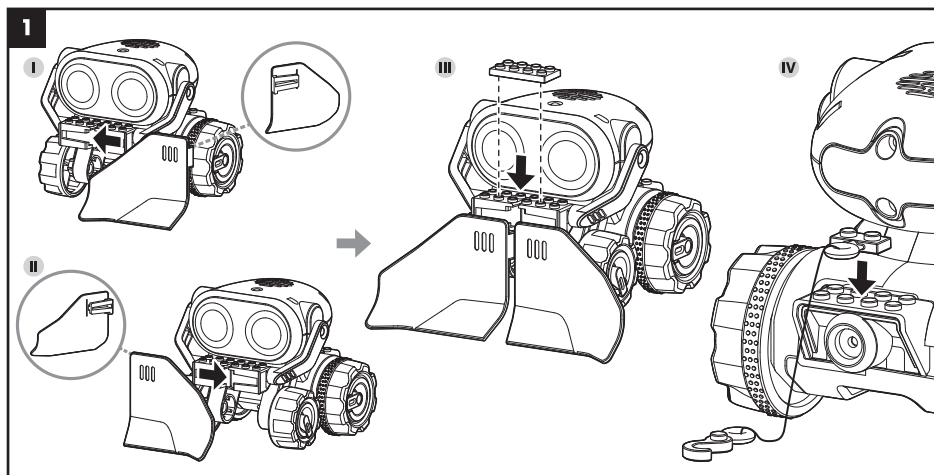
There are two ways to play and interact with Joe Plow: build-up, and remote control.

POWER DOWN MODE

After 10 minutes of inactivity, Joe Plow will power down. To exit Power Down Mode, switch the power OFF then ON again.

BUILD UP






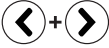
1. Joe Plow comes with a set of plow arms that are detachable. Mix and match attachments with other members from the BotSquad™!
2. Stickers: give the included builder bricks some extra character with the included decals.



REMOTE CONTROL

The Remote Controller gives you full control over Joe Plow's motion.

Joe Plow has two sets of wheels and can turn on the spot. To control it, point the Remote Controller at the IR Sensor located on top of Joe Plow's head.

	To make Joe Plow move forward, push the throttle upwards on the Remote Controller.		To make Joe Plow move backward, push the throttle downwards on the Remote Controller.
	To make Joe Plow move left, push the throttle to the left on the Remote Controller.		To make Joe Plow move right, push the throttle to the right on the Remote Controller.
	To make Joe Plow charge forward, push the center button on the Remote Controller.		To toggle volume settings on Joe Plow, press the left and right buttons on the bottom of the Remote Controller at the same time.

Manufactured and distributed by © 2016 WowWee Group Limited. Product names, designations, and logos are trademarks or registered trademarks of WowWee Group Limited. All rights reserved.

Customer Service Website: <http://wowweezone.com>

We recommend that you retain our address for future reference.

Product and colors may vary.

Packaging printed in China.

WARNING! This product is not suitable for children under 3 years because of small parts - choking hazard.

CAN ICES-3(B)/NMB-3(B)

MADE IN CHINA

CAUTION

Changes or modifications not expressly approved by the party responsible for compliance could void the user's authority to operate the equipment.

NOTE

This equipment has been tested and found to comply with the limits for a class B digital device, pursuant to part 15 of the FCC rules. These limits are designed to provide reasonable protection against harmful interference in a residential installation. This equipment generates, uses and can radiate radio frequency energy and, if not installed and used in accordance with the instructions, may cause harmful interference to radio communications.

However, there is no guarantee that interference will not occur in a particular installation. If this equipment does cause harmful interference

to radio or television reception, which can be determined by turning the equipment off and on, the user is encouraged to try and correct the interference by one or more of the following measures:

- Reorient or relocate the receiving antenna
- Increase the separation between the equipment and receiver
- Connect the equipment into an outlet on a circuit different from that to which the receiver is connected
- Consult the dealer or experienced radio/TV technician for help

This Device complies with Part 15 of the FCC Rules. Operation is subject to the following two conditions:

- (1) This device may not cause harmful interference, and
- (2) This device must accept any interference received, including interference that may cause undesired operation.

For more indepth instructions, please refer to

<http://wowwee.com/botsquad>

For warranty information, please visit

<http://wowwee.com/information/warranty>

WARNING! This equipment may experience difficulty and/or memory loss when subjected to any electrostatic discharge, radio frequency interference, or sudden power surge/interruption. The user is encouraged to reset the equipment should any of these occur.



WowWee Group Limited

Energy Plaza, 301A-C
92 Granville Road
T.S.T. East, Hong Kong

WowWee Canada Inc.

3700 Saint Patrick Street
Suite 206
Montreal, QC, H4E 1A2, Canada



1551US01TOP_MM