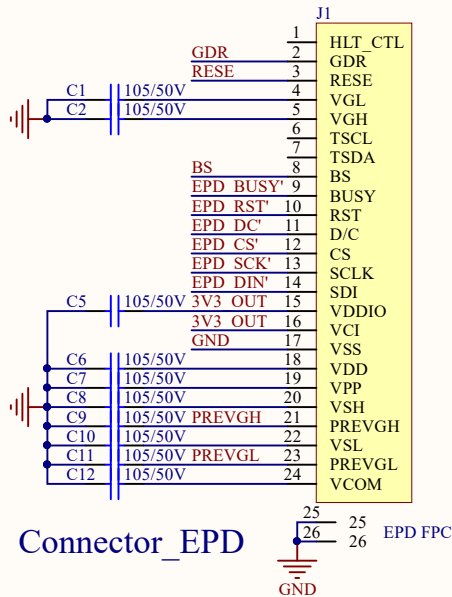
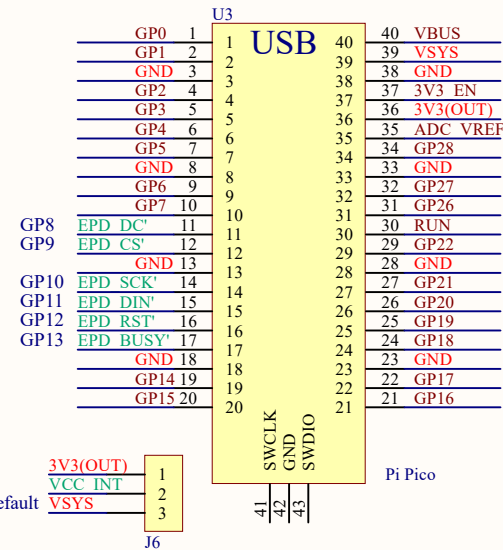


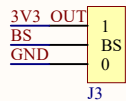
Boost



Connector_EPd



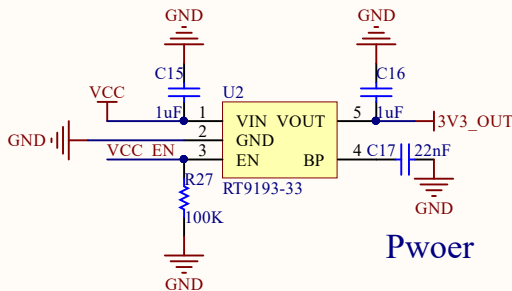
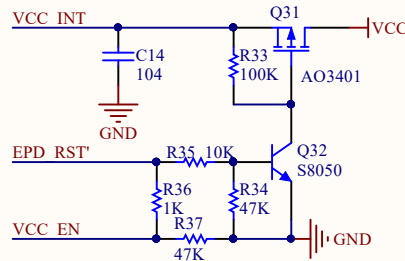
Connector_Pico



Pico-ePaper-2.66



BS	VCC	GND
Interface	3-line SPI	4-line SPI



Pwoer

74.00mm

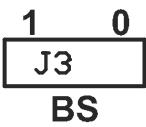
37.00mm

2.15mm

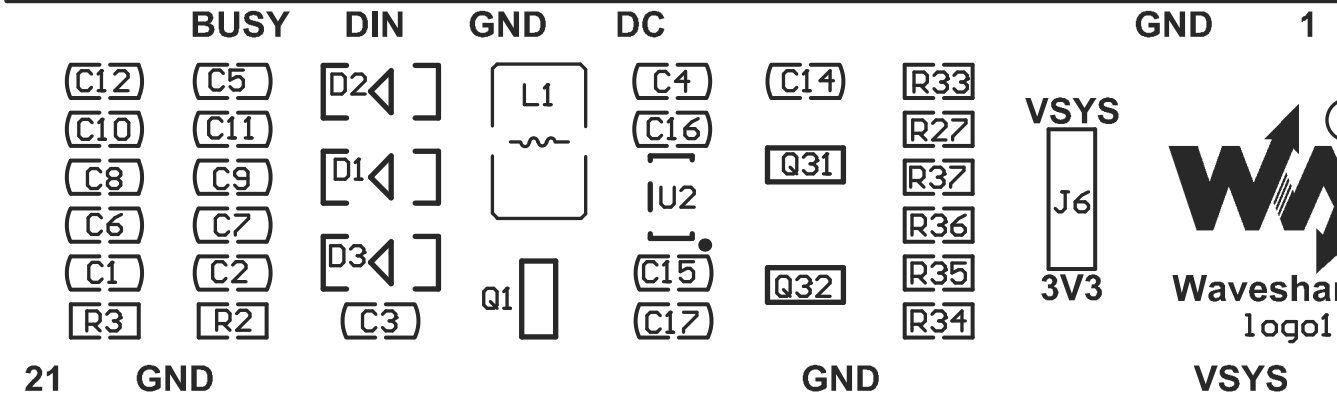
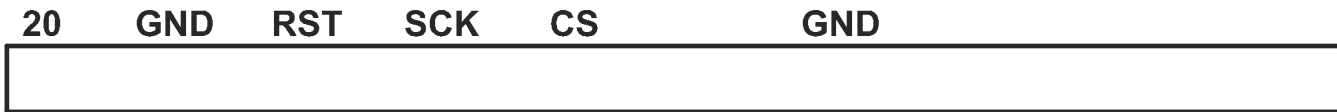
3.85mm

4.60mm

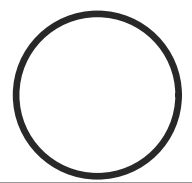
Pico-ePaper-2.66



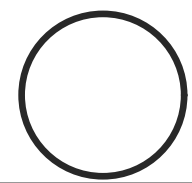
BS	1	0
SPI	3-line	4-line



B/W



B/W/R



B/W/Y

