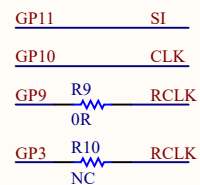
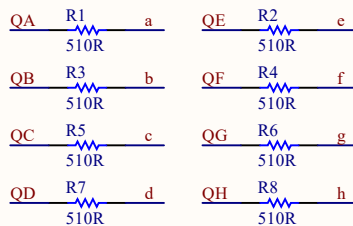
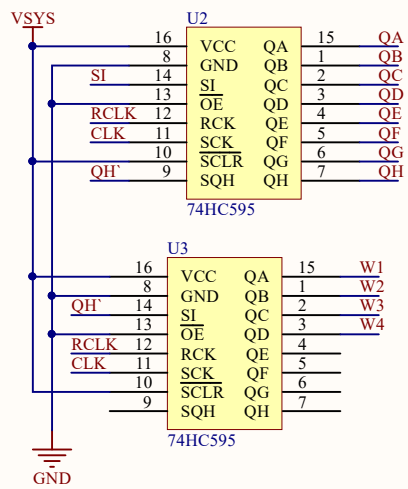


GP0	1	GPIO0	VBUS	40	VBUS
GP1	2	GPIO1	VSYS	39	VSYS
GND	3	GND	GND	38	GND
GP2	4	GPIO2	3V3_EN	37	3V3_EN
GP3	5	GPIO3	3V3_OUT	36	3V3(OUT)
GP4	6	GPIO3	3V3	35	ADC_VREF
GP5	7	GPIO4	ADC_VREF	34	GP28
GND	8	GND	AGND	33	GND
GP6	9	GPIO6	IO27/ADC1	32	GP27
GP7	10	GPIO7	IO26/ADC0	31	GP26
GP8	11	GPIO8	RUN	30	RUN
GP9	12	GPIO9	GPIO22	29	GP22
GND	13	GND	GND	28	GND
GP10	14	GPIO10	GPIO21	27	GP21
GP11	15	GPIO11	GPIO20	26	GP20
GP12	16	GPIO12	GPIO19	25	GP19
GP13	17	GPIO13	GPIO18	24	GP18
GND	18	GND	GND	23	GND
GP14	19	GPIO14	GPIO17	22	GP17
GP15	20	GPIO15	GPIO16	21	GP16

Pi pico (40P)



W
aveshare
Pico-8SEG-LED



限流电阻

