

1

2

3

4

A

A

B

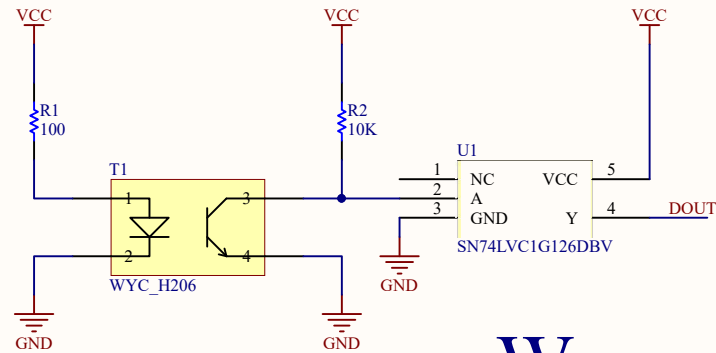
B

C

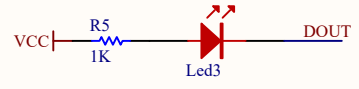
C

D

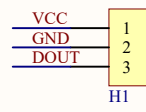
D



Switch Indicator



Power Indicator



1

2

3

4

