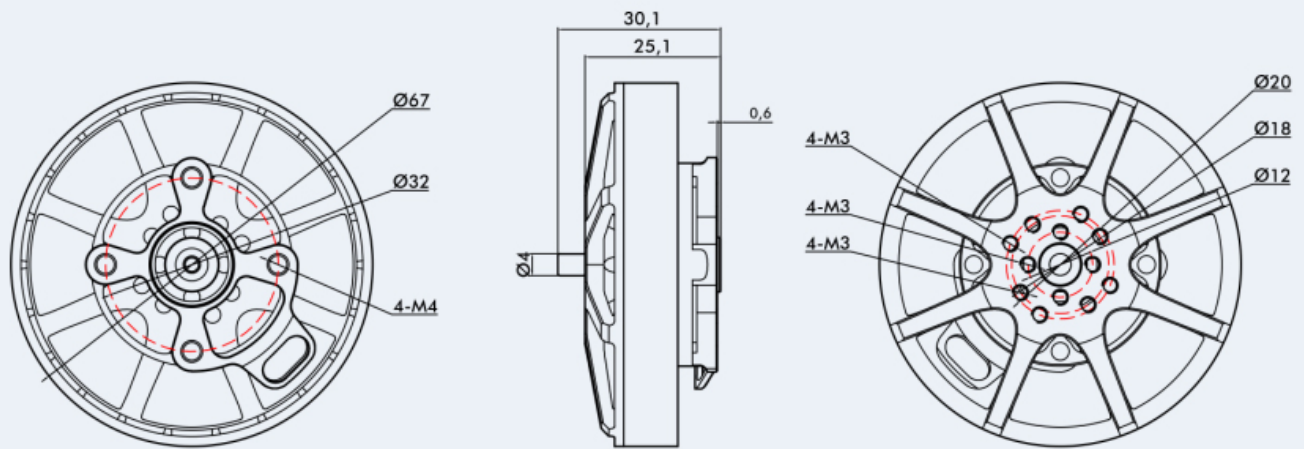


Product Drawing



Specifications