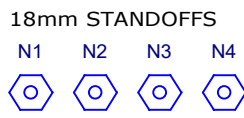
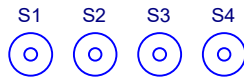
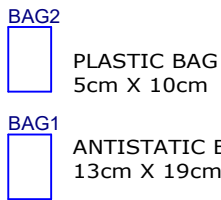
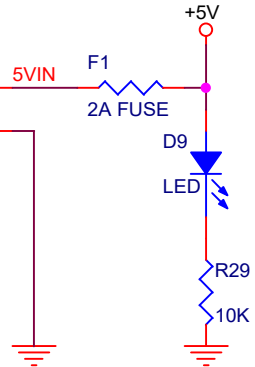
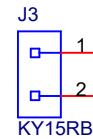
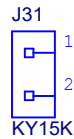
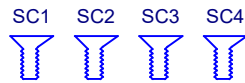


CONNECTOR PLUGS



2.5mm NUTS



M2.5x5mm SCREWS

JMP1

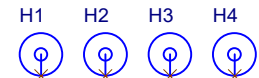


JMP2



ID Jumpers

MOUNTING HOLES



SEQUENTMICROSYSTEMS.COM		
Title 8-MOSFETS		
Size A	Document Number BLOCK DIAGRAM	Rev 3.0
Date: Sunday, January 24, 2021	Sheet 1 of 7	

5 4 3 2 1

CHANGES V1.1

- * Move Connectors J4, J5 to 472 mils spacing
- * Move Connectors J8 - J11 to 475 mils spacing
- * Reload H1-H4 holes from library, had wrong hole
- * Clear 105 mils around mounting holes

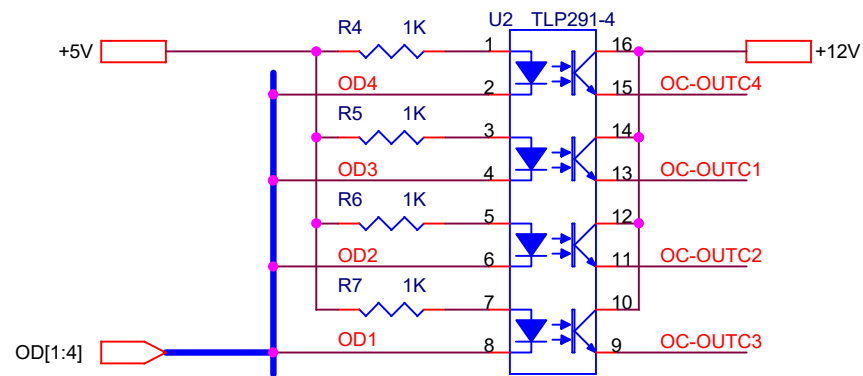
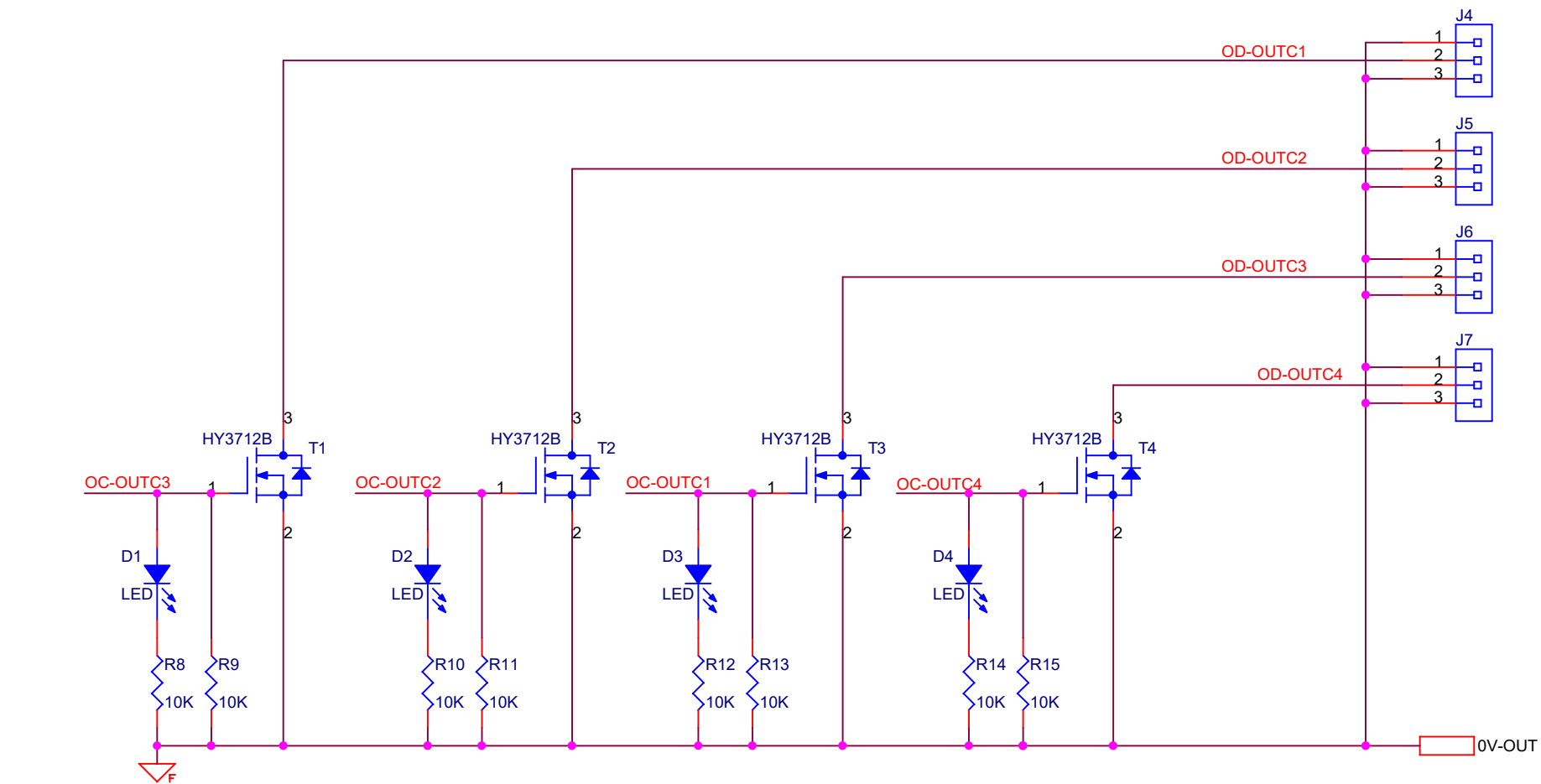
CHANGES V2.0

- * Replace High Voltage Mosfets with MDD14N25CRH
- * 250V/1A specification.
- * Previous Mosfet was too expensive.

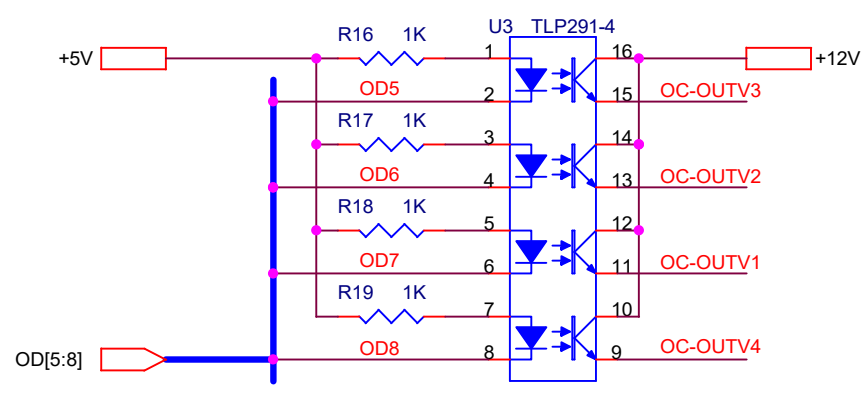
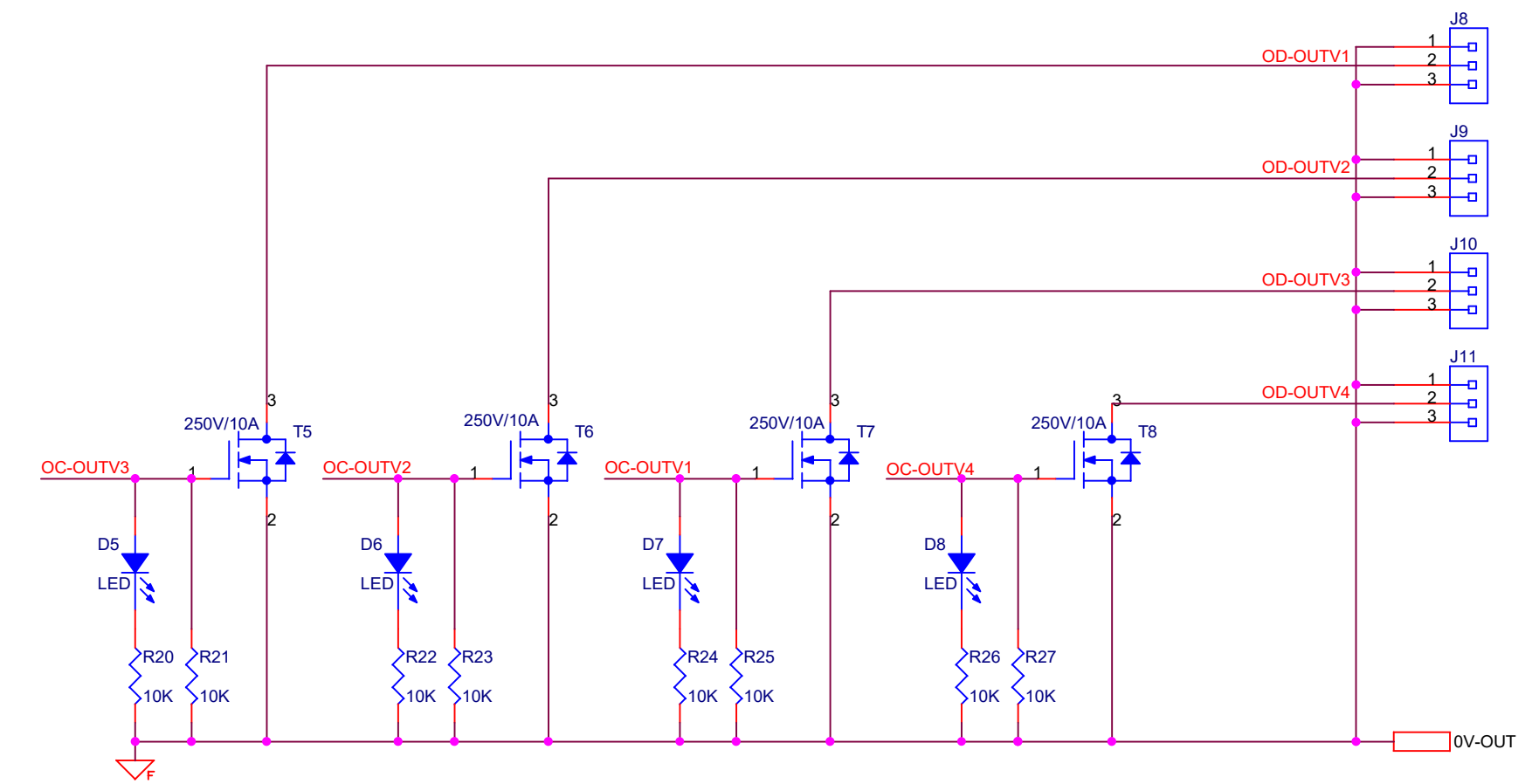
CHANGES V2.1

- * Move J1 on the bottom
- * Fix size of pluggable connectors

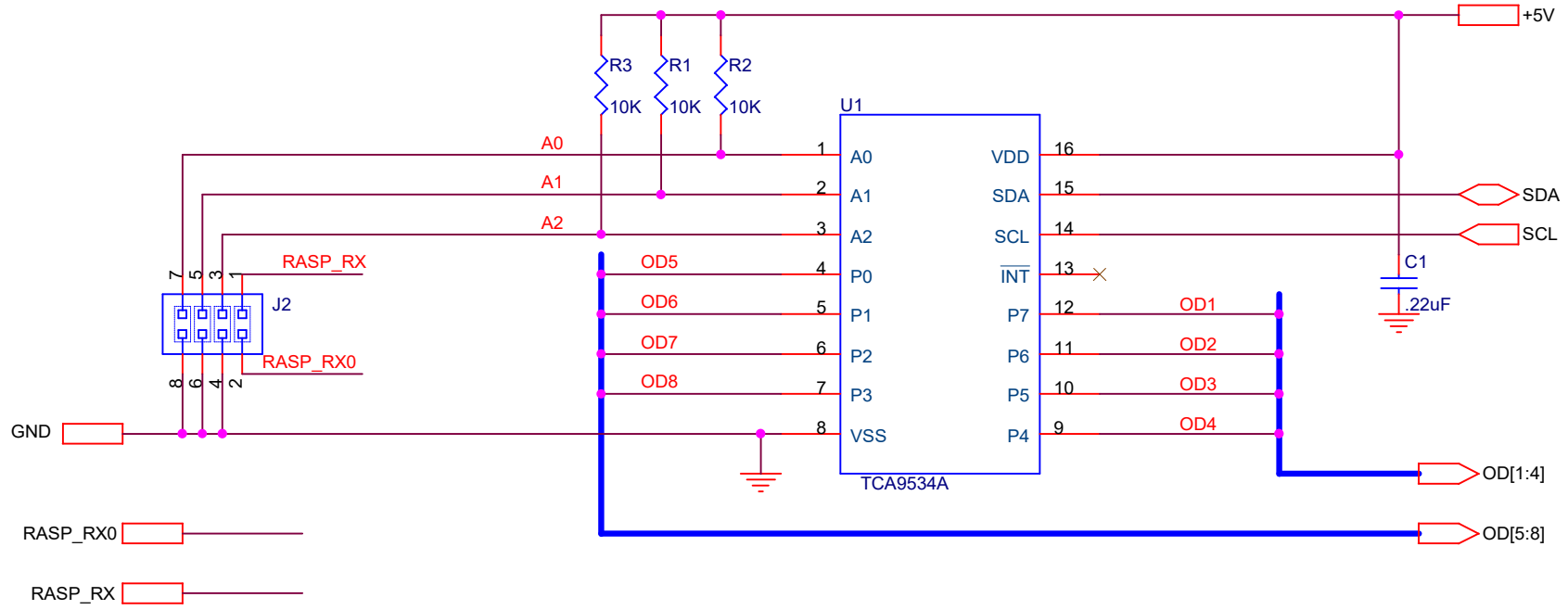
SEQUENTMICROSYSTEMS.COM		
Title		
8-MOSFETS		
Size	Document Number	Rev
A	CHANGE HISTORY	2.1
Date:	Sunday, January 24, 2021	Sheet 2 of 7
	2	1



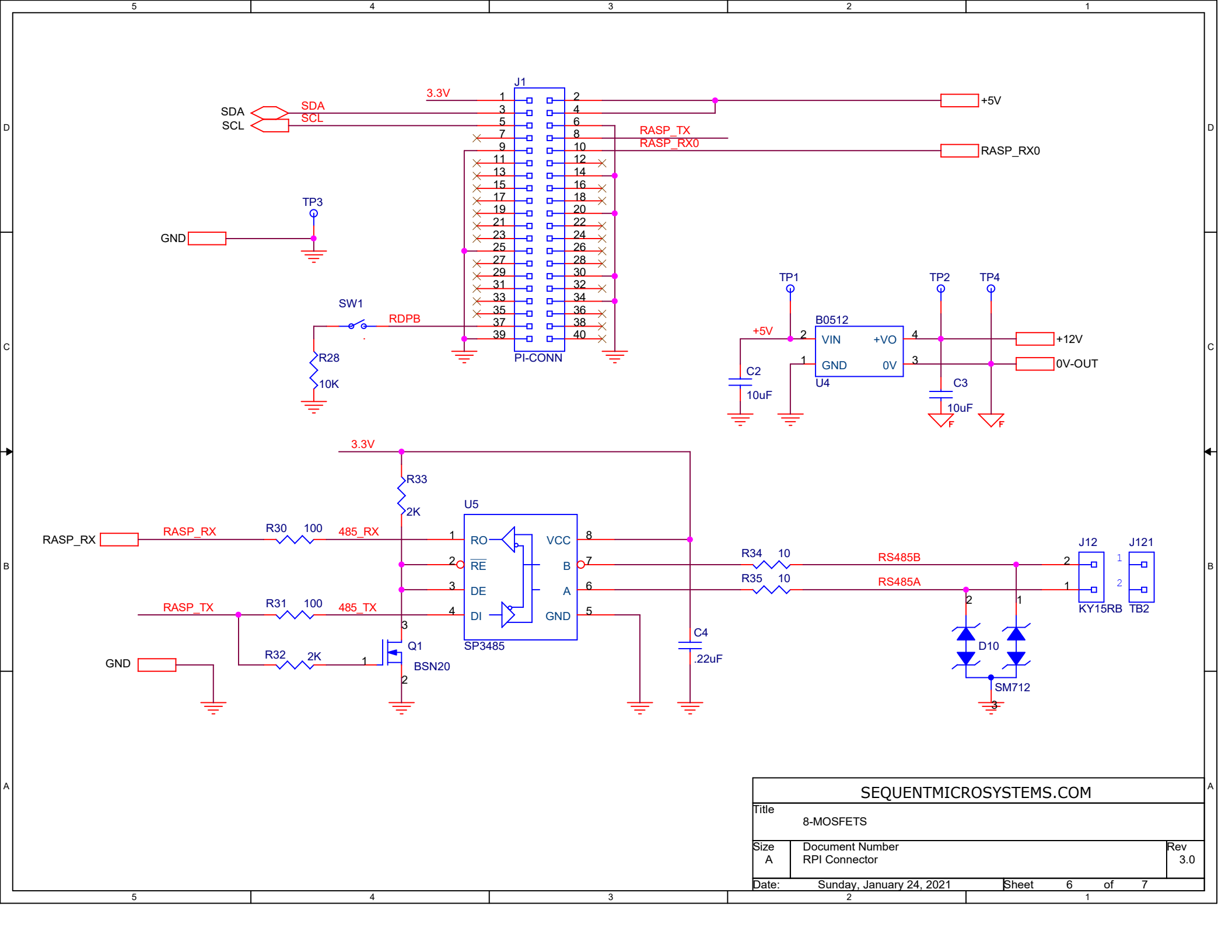
SEQUENTMICROSYSTEMS.COM		
Title		
8-MOSFETS		
Size	Document Number	Rev
A	HIGH CURRENT	3.0
Date:	Sunday, January 24, 2021	Sheet 3 of 7



SEQUENTMICROSYSTEMS.COM		
Title		
8-MOSFETS		
Size	Document Number	Rev
A	HIGH VOLTAGE	3.0
Date:	Sunday, January 24, 2021	Sheet 4 of 7
5	2	1

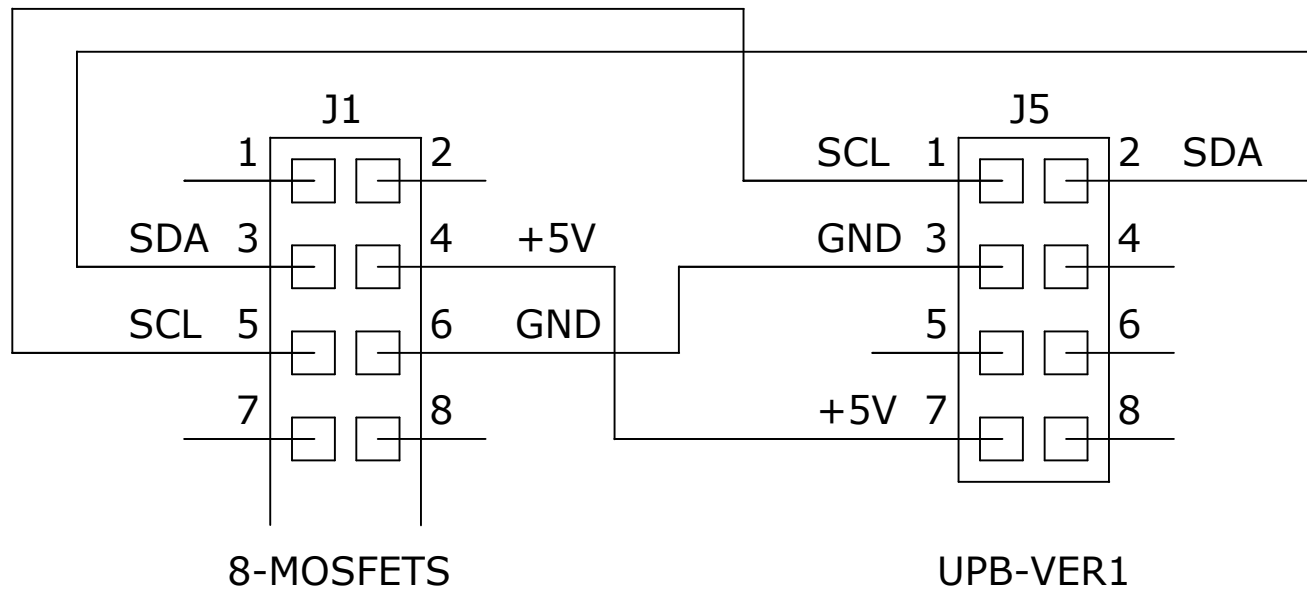


SEQUENTMICROSYSTEMS.COM		
Title		
8-MOSFETS		
Size	Document Number	Rev
A	IO EXPANDER	3.0
Date:	Sunday, January 24, 2021	Sheet 5 of 7
	2	1



SEQUENTMICROSYSTEMS.COM

Title		
8-MOSFETS		
Size	Document Number	Rev
A	RPI Connector	3.0
Date:	Sunday, January 24, 2021	Sheet 6 of 7



SEQUENTMICROSYSTEMS.COM		
Title 8-MOSFETS		
Size A	Document Number TEST CABLE TO UPB-VER1	Rev 2.1
Date: Sunday, January 24, 2021	Sheet 2	7 of 7 1