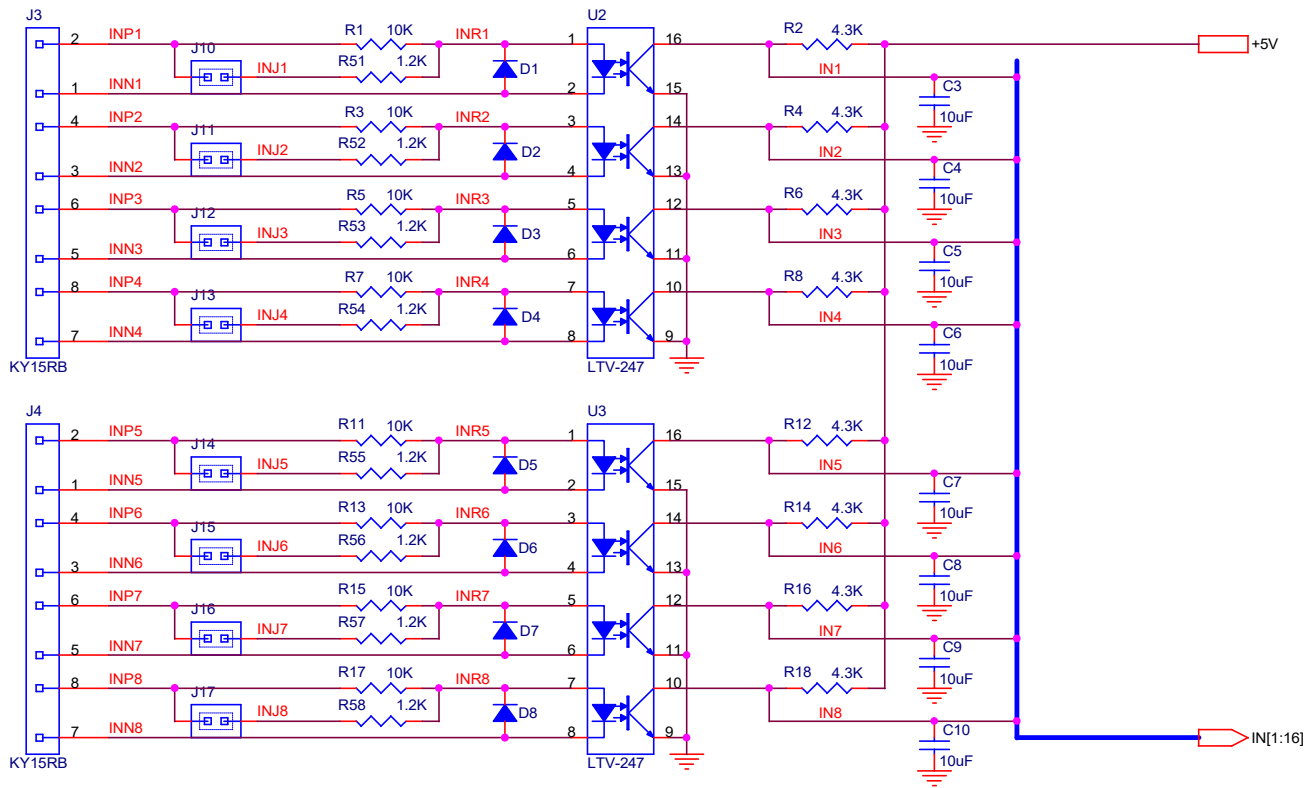


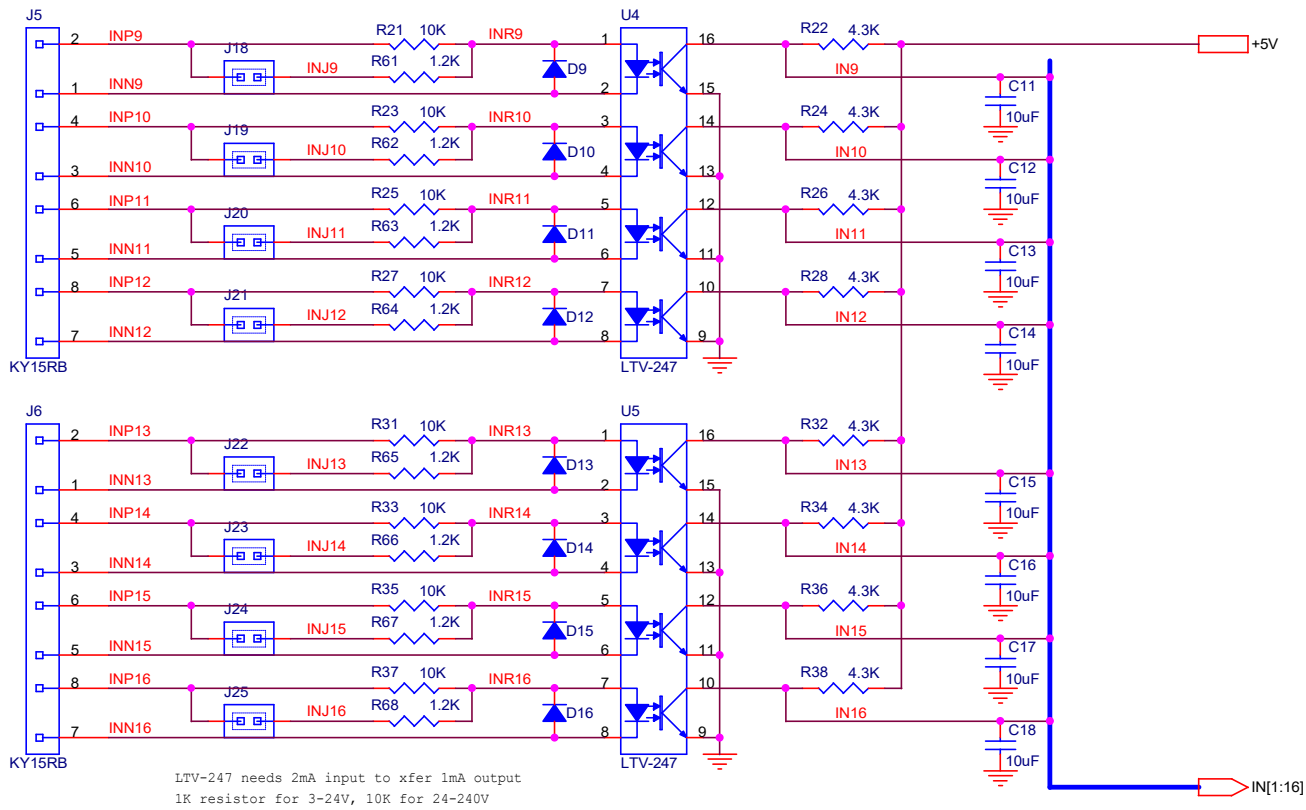
SEQUENTMICROSYSTEMS.COM		
Title 16 INPUTS		
Size A	Document Number BLOCK DIAGRAM	Rev 3.1
Date:	Saturday, February 13, 2021	Sheet 1 of 6



LTV-247 needs 2mA input to xfer 1mA output  
 1K resistor for 3-24V, 10K for 24-240V



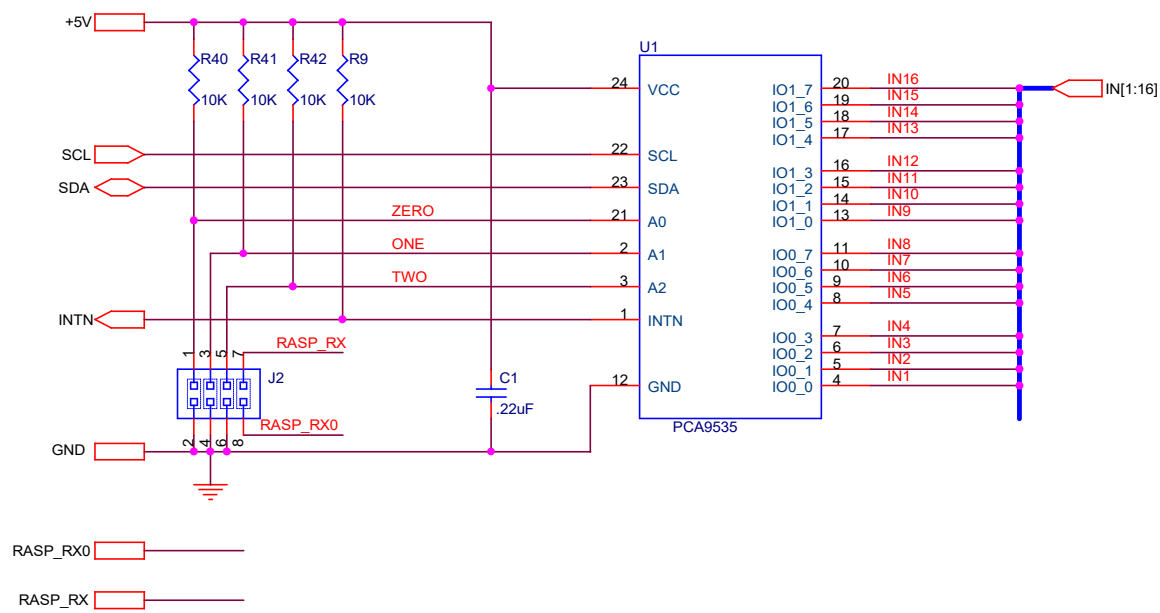
SEQUENTMICROSYSTEMS.COM		
Title		
16-INPUTS		
Size	Document Number	Rev
A	INPUTS 1-8	3.1
Date:	Saturday, February 13, 2021	Sheet 2 of 6
	2	1



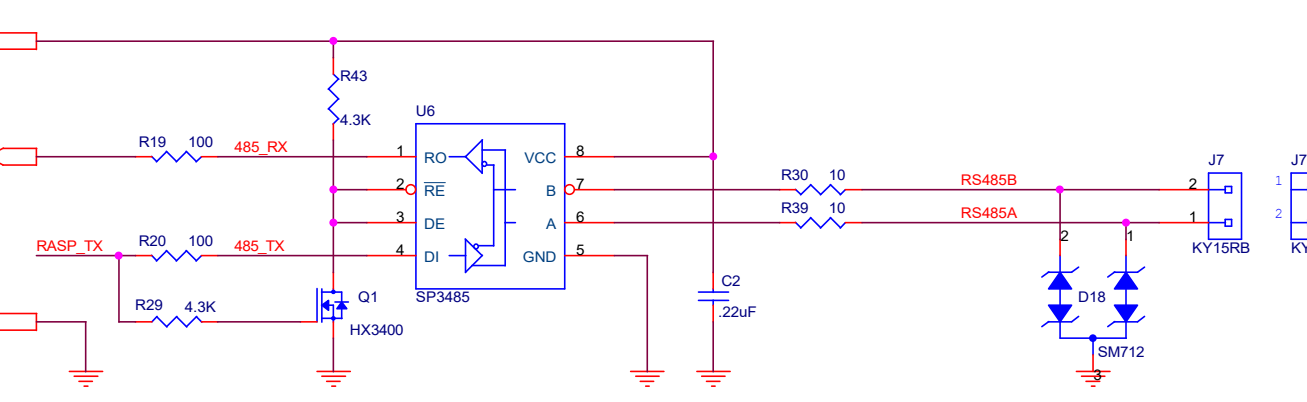
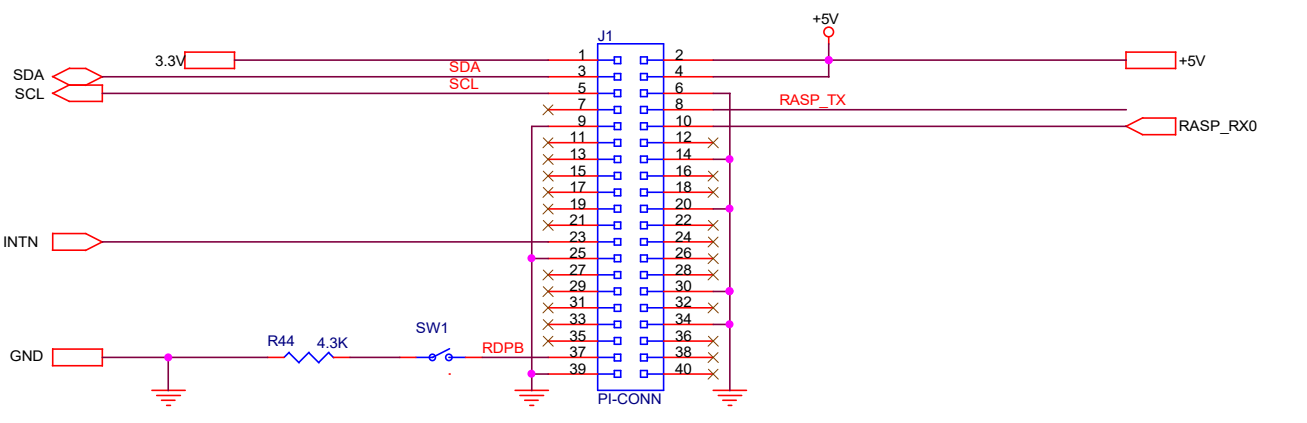
LTV-247 needs 2mA input to xfer 1mA output  
 1K resistor for 3-24V, 10K for 24-240V



SEQUENTMICROSYSTEMS.COM		
Title		
16-INPUTS		
Size	Document Number	Rev
A	INPUTS 9-16	3.1
Date:	Saturday, February 13, 2021	Sheet 2 of 6



SEQUENTMICROSYSTEMS.COM		
Title		
16 INPUTS		
Size	Document Number	Rev
A	IO EXPANDER	3.1
Date:	Saturday, February 13, 2021	Sheet 4 of 6
	2	1



SEQUENTMICROSYSTEMS.COM		
Title 16 INPUTS		
Size A	Document Number PI CONN	Rev 3.1
Date:	Saturday, February 13, 2021	Sheet 5 of 6