

New on v31:  
 Change to ATmega32U4  
 Switch to microUSB  
 Change to 8MHz Xtal  
 Add battery voltage detect  
 Add Charge Status to ATmega  
 Update reset switch  
 Removed FTDI Connection  
 Re-arranged and re-named SPI pins  
 Re-ordered Analog pins  
 Changed PWM pin designator to ~  
 Changed UCC to 3.3V

New on v31:

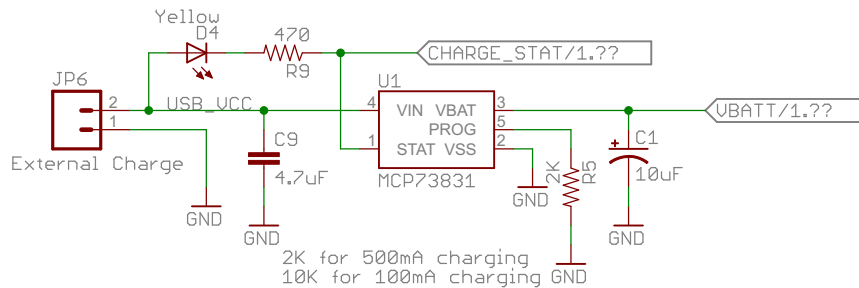
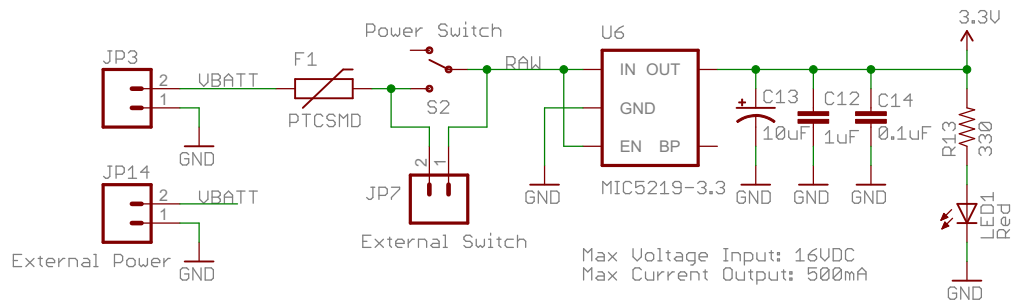


Released under the Creative Commons Attribution Share-Alike 3.0 License  
<http://creativecommons.org/licenses/by-sa/3.0>

FIO\_LOGO

TITLE: Arduino-Fio_v31	SFE
Design by Shigeru Kobayashi N. Seidle Revision by Klopfenstein	REV: v31
Date: 2/5/2014 12:32:56 PM	Sheet: 1/2


  
 Cut this jumper if powering the board with more than 5.5V



Released under the Creative Commons Attribution Share-Alike 3.0 License  
<http://creativecommons.org/licenses/by-sa/3.0>

TITLE: Arduino-Fio\_v31

Design by:

REV:

Date: 2/5/2014 12:32:56 PM

Sheet: 2/2