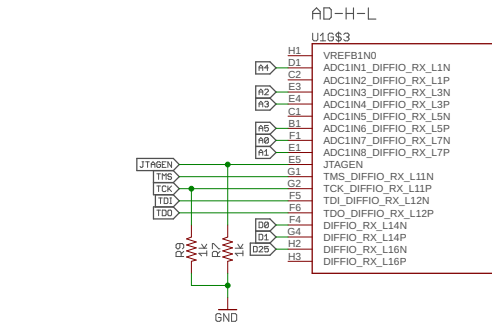
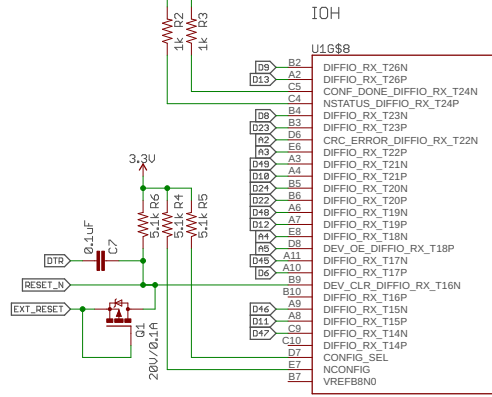
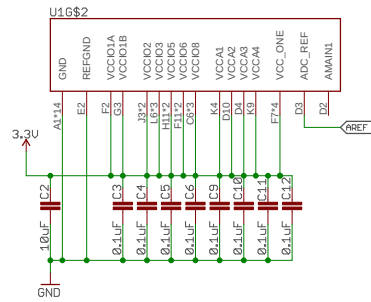


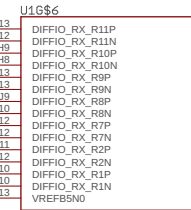
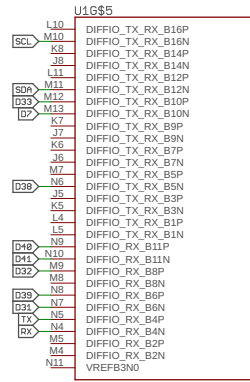
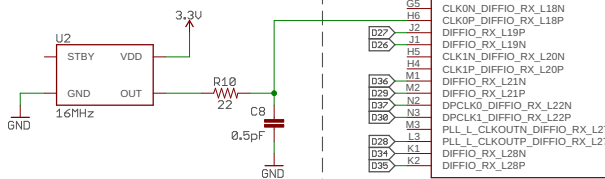
# FPGA



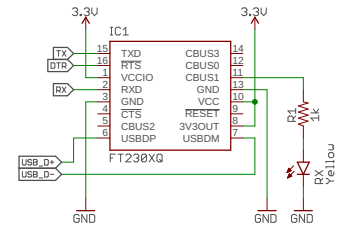
## FPGA Power UCC: 2.85 - 3.465V



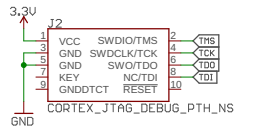
## Clock



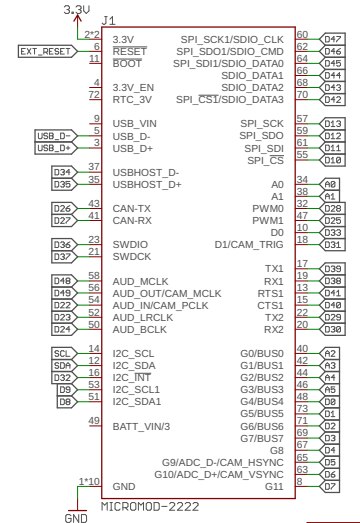
# USB



# JTAG



# MicroMod



Released under the Creative Commons Attribution Share-Alike 4.0 License  
<https://creativecommons.org/licenses/by-sa/4.0/>

TITLE: MicroMod\_Sno\_Processor

Design by: Alorium Technology

Date: 2/15/2022 10:40 AM

REV: U10

Sheet: 1/1