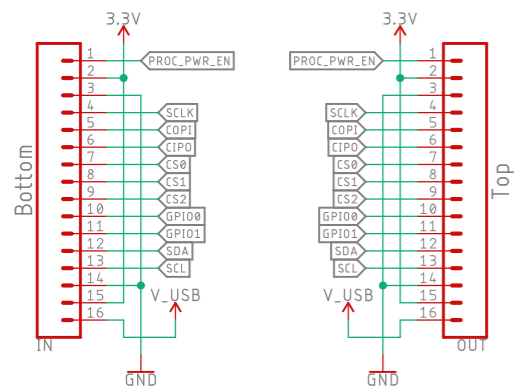
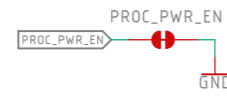


smôl Connectors



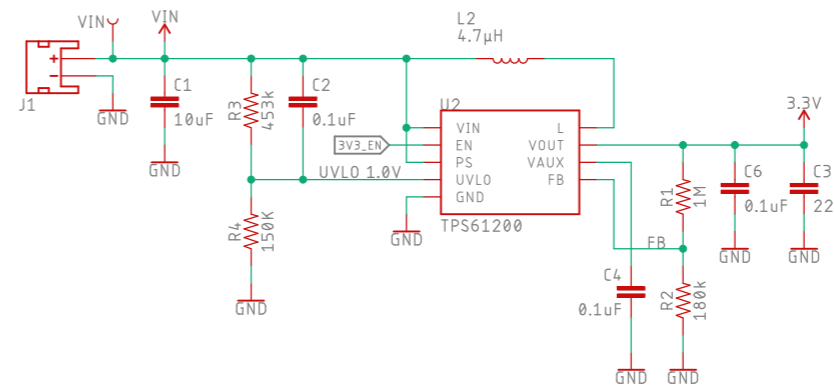
Disable Processor Board Regulator



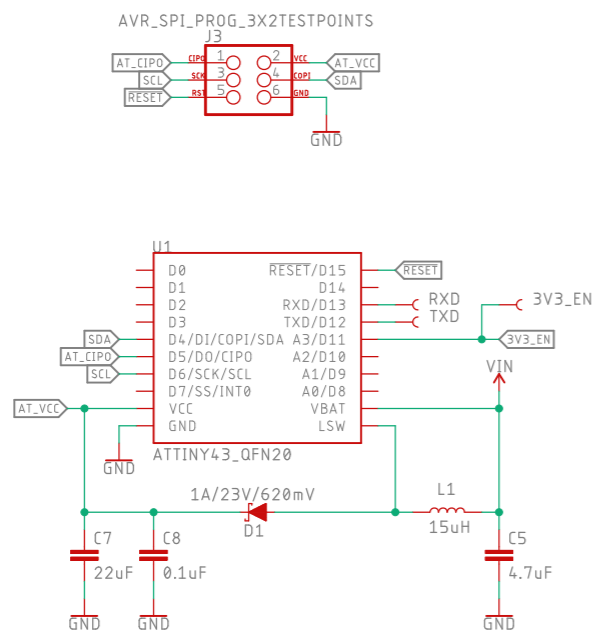
Boost Converter

Caution
====
Ensure the battery polarity is correct
There is no reverse-polarity protection on this board

Recommended VIN (Min) : 1.5V (1 x AAA)
Recommended VIN (Max): 3.0V (2 x AAA)
Maximum VIN: 5.5V



ATTiny43



ATTiny43
====
Pin 4 is COPI and Pin 5 is CIPO when the chip is in peripheral mode or is being programmed
Pin 4 is CIPO and Pin 5 is COPI when the chip is operating in controller mode
The #defines in the ATTinyCore assume controller mode



Released under the Creative Commons Attribution Share-Alike 4.0 License https://creativecommons.org/licenses/by-sa/4.0/		Special Instructions
TITLE: SparkX_smol_Power_AAA		
Design by: Paul Clark		REV: X02
Date: 20/08/2021 13:35	Sheet: 1/1	