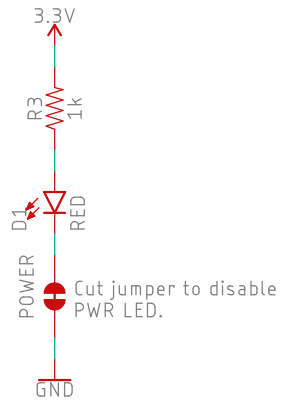


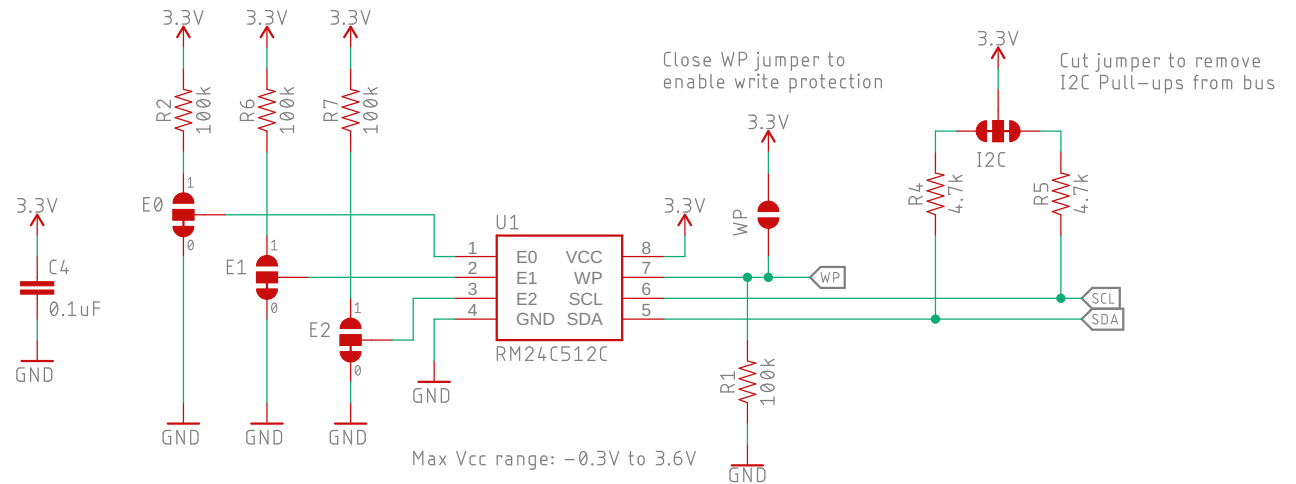
Power LED



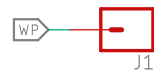
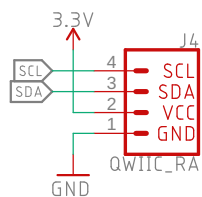
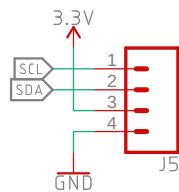
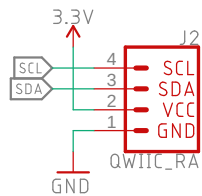
EEPROM – 512Kbit

E2	E1	E0	ADDRESS
0	0	0	0x50
0	0	1	0x51
0	1	0	0x52
0	1	1	0x53
1	0	0	0x54
1	0	1	0x55
1	1	0	0x56
1	1	1	0x57

7-bit unshifted I2C address: 0x5{E2,E1,E0}
Default: 0x50



Connectors



QWIIC

open hardware

sparkfun

Released under the Creative Commons Attribution Share-Alike 4.0 License
<https://creativecommons.org/licenses/by-sa/4.0/>



TITLE: Qwiic EEPROM

Design by: Ciara Jekel

REV:
v10

Revised by: Priyanka Makin

Date: 7/20/2021 8:01 AM

Sheet: 1/1