

# ESP32-C3-WROOM-02

# ESP32-C3-WROOM-02U

## Datasheet

Module with flash and 15 GPIOs

Built around RISC-V single-core SoC

Supporting IEEE 802.11b/g/n (2.4 GHz Wi-Fi) and Bluetooth 5 (LE)



Pre-release v0.7  
Espressif Systems  
Copyright © 2021

## About This Document

This document provides specifications for the ESP32-C3-WROOM-02 and ESP32-C3-WROOM-02U modules.

## Document Updates

Please always refer to the latest version on <https://www.espressif.com/en/support/download/documents>.

## Revision History

For revision history of this document, please refer to the [last page](#).

## Documentation Change Notification

Espressif provides email notifications to keep you updated on changes to technical documentation. Please subscribe at [www.espressif.com/en/subscribe](http://www.espressif.com/en/subscribe).

## Certification

Download certificates for Espressif products from [www.espressif.com/en/certificates](http://www.espressif.com/en/certificates).

# 1 Module Overview

## 1.1 Features

### MCU

- ESP32-C3 embedded, 32-bit RISC-V single-core processor, up to 160 MHz
- 384 KB ROM
- 400 KB SRAM (16 KB for cache)
- 8 KB SRAM in RTC

### Wi-Fi

- IEEE 802.11 b/g/n-compliant
- Center frequency range of operating channel: 2412 ~ 2484 MHz
- Supports 20 MHz, 40 MHz bandwidth in 2.4 GHz band
- 1T1R mode with data rate up to 150 Mbps
- Wi-Fi Multimedia (WMM)
- TX/RX A-MPDU, TX/RX A-MSDU
- Immediate Block ACK
- Fragmentation and defragmentation
- Transmit opportunity (TXOP)
- Automatic Beacon monitoring (hardware TSF)
- 4 × virtual Wi-Fi interfaces
- Simultaneous support for Infrastructure BSS in Station mode, SoftAP mode, Station + SoftAP mode, and promiscuous mode

*Note that when ESP32-C3 family scans in Station mode, the SoftAP channel will change along with the Station channel*

- Antenna diversity
- 802.11mc FTM

### Bluetooth®

- Bluetooth LE: Bluetooth 5, Bluetooth mesh
- Speed: 125 Kbps, 500 Kbps, 1 Mbps, 2 Mbps
- Advertising extensions
- Multiple advertisement sets
- Channel selection algorithm #2

### Hardware

- Interfaces: GPIO, SPI, UART, I2C, I2S, remote control peripheral, LED PWM controller, general DMA controller, TWAI® controller (compatible with ISO 11898-1), USB Serial/JTAG controller, temperature sensor, SAR ADC
- 40 MHz crystal oscillator
- 4 MB SPI flash
- Operating voltage/Power supply: 3.0 ~ 3.6 V
- Operating ambient temperature:
  - 85 °C version module: -40 ~ 85 °C
  - 105 °C version module: -40 ~ 105 °C
- Dimensions: See Table 1

### Test

- HTOL/HTSL/uHAST/TCT/ESD/Latch-up

## 1.2 Description

ESP32-C3-WROOM-02 and ESP32-C3-WROOM-02U are two general-purpose Wi-Fi and Bluetooth LE module. The rich set of peripherals and high performance make the two modules an ideal choice for smart homes, industrial automation, health care, consumer electronics, etc.

ESP32-C3-WROOM-02 and ESP32-C3-WROOM-02U both feature a 4 MB external SPI flash. ESP32-C3-WROOM-

02 comes with a PCB antenna. ESP32-C3-WROOM-02U comes with a U.FL connector for an external IPEX antenna. ESP32-C3-WROOM-02 and ESP32-C3-WROOM-02U have two variants:

- 85 °C version operating at –40 ~ 85 °C
- 105 °C version operating at –40 ~ 105 °C

The two variants only differ in ambient operating temperature. In this datasheet unless otherwise stated, ESP32-C3-WROOM-02 refers to the ESP32-C3-WROOM-02 module in 85 °C and 105 °C versions, and ESP32-C3-WROOM-02U refers to the ESP32-C3-WROOM-02U module in 85 °C and 105 °C versions.

The ordering information for the two modules is as follows:

**Table 1: Ordering Information**

Module	Chip embedded	Flash	Module dimensions (mm)
ESP32-C3-WROOM-02	ESP32-C3	4 MB	18.0 × 20.0 × 3.2
ESP32-C3-WROOM-02U			18.0 × 14.3 × 3.2

At the core of the two modules is ESP32-C3\*, which has a 32-bit RISC-V single-core processor.

ESP32-C3 integrates a rich set of peripherals, ranging from UART, I2C, I2S, remote control peripheral, LED PWM controller, general DMA controller, TWAI® controller, USB Serial/JTAG controller, temperature sensor, and ADC. It also includes SPI, Dual SPI and Quad SPI interfaces.

**Note:**

\* For more information on ESP32-C3, please refer to [ESP32-C3 Family Datasheet](#).

## 1.3 Applications

- [Smart Home](#)
  - Light control
  - Smart button
  - Smart plug
  - Indoor positioning
- [Industrial Automation](#)
  - Industrial robot
  - Mesh network
  - Human machine interface (HMI)
  - Industrial field bus
- [Health Care](#)
  - Health monitor
- Baby monitor
- [Consumer Electronics](#)
  - Smart watch and bracelet
  - Over-the-top (OTT) devices
  - Wi-Fi and bluetooth speaker
  - Logger toys and proximity sensing toys
- Smart Agriculture
  - Smart greenhouse
  - Smart irrigation
  - Agriculture robot
- Retail and Catering
  - POS machines

- Service robot
- Audio Device
  - Internet music players
  - Live streaming devices
- Internet radio players
- Generic Low-power IoT Sensor Hubs
- Generic Low-power IoT Data Loggers

# Contents

<b>1</b>	<b>Module Overview</b>	<b>3</b>
1.1	Features	3
1.2	Description	3
1.3	Applications	4
<b>2</b>	<b>Block Diagram</b>	<b>10</b>
<b>3</b>	<b>Pin Definitions</b>	<b>11</b>
3.1	Pin Layout	11
3.2	Pin Description	11
3.3	Strapping Pins	12
<b>4</b>	<b>Electrical Characteristics</b>	<b>14</b>
4.1	Absolute Maximum Ratings	14
4.2	Recommended Operating Conditions	14
4.3	DC Characteristics (3.3 V, 25 °C)	14
4.4	Current Consumption Characteristics	15
4.5	Wi-Fi Radio	16
4.5.1	Wi-Fi RF Standards	16
4.5.2	Wi-Fi RF Transmitter (TX) Specifications	16
4.5.3	Wi-Fi RF Receiver (RX) Specifications	17
4.6	Bluetooth LE Radio	18
4.6.1	Bluetooth LE RF Transmitter (TX) Specifications	18
4.6.2	Bluetooth LE RF Receiver (RX) Specifications	20
<b>5</b>	<b>Module Schematics</b>	<b>23</b>
<b>6</b>	<b>Peripheral Schematics</b>	<b>25</b>
<b>7</b>	<b>Physical Dimensions and PCB Land Pattern</b>	<b>26</b>
7.1	Physical Dimensions	26
7.2	Recommended PCB Land Pattern	27
7.3	U.FL Connector Dimensions	29
<b>8</b>	<b>Product Handling</b>	<b>30</b>
8.1	Storage Conditions	30
8.2	Electrostatic Discharge (ESD)	30
8.3	Reflow Profile	30
<b>9</b>	<b>Learning Resources</b>	<b>31</b>
9.1	Must-Read Documents	31
9.2	Important Resources	31

## Revision History

## List of Tables

1	Ordering Information	4
2	Pin Definitions	11
3	Strapping Pins	13
4	Parameter Descriptions of Setup and Hold Times for the Strapping Pin	13
5	Absolute Maximum Ratings	14
6	Recommended Operating Conditions	14
7	DC Characteristics (3.3 V, 25 °C)	14
8	Current Consumption Depending on RF Modes	15
9	Current Consumption Depending on Work Modes	15
10	Wi-Fi RF Standards	16
11	TX Power with Spectral Mask and EVM Meeting 802.11 Standards	16
12	TX EVM Test	16
13	RX Sensitivity	17
14	Maximum RX Level	18
15	RX Adjacent Channel Rejection	18
16	Transmitter General Characteristics	18
17	Transmitter Characteristics - Bluetooth LE 1M	19
18	Transmitter Characteristics - Bluetooth LE 2M	19
19	Transmitter Characteristics - Bluetooth LE 125K	19
20	Transmitter Characteristics - Bluetooth LE 500K	20
21	Receiver Characteristics - Bluetooth LE 1M	20
22	Receiver Characteristics - Bluetooth LE 2M	21
23	Receiver Characteristics - Bluetooth LE 125K	21
24	Receiver Characteristics - Bluetooth LE 500K	21



## List of Figures

1	ESP32-C3-WROOM-02 Block Diagram	10
2	ESP32-C3-WROOM-02U Block Diagram	10
3	Pin Layout (Top View)	11
4	Setup and Hold Times for the Strapping Pin	13
5	ESP32-C3-WROOM-02 Schematics	23
6	ESP32-C3-WROOM-02U Schematics	24
7	Peripheral Schematics	25
8	ESP32-C3-WROOM-02 Physical Dimensions	26
9	ESP32-C3-WROOM-02U Physical Dimensions	26
10	ESP32-C3-WROOM-02 Recommended PCB Land Pattern	27
11	ESP32-C3-WROOM-02U Recommended PCB Land Pattern	28
12	U.FL Connector Dimensions	29
13	Reflow Profile	30

## 2 Block Diagram

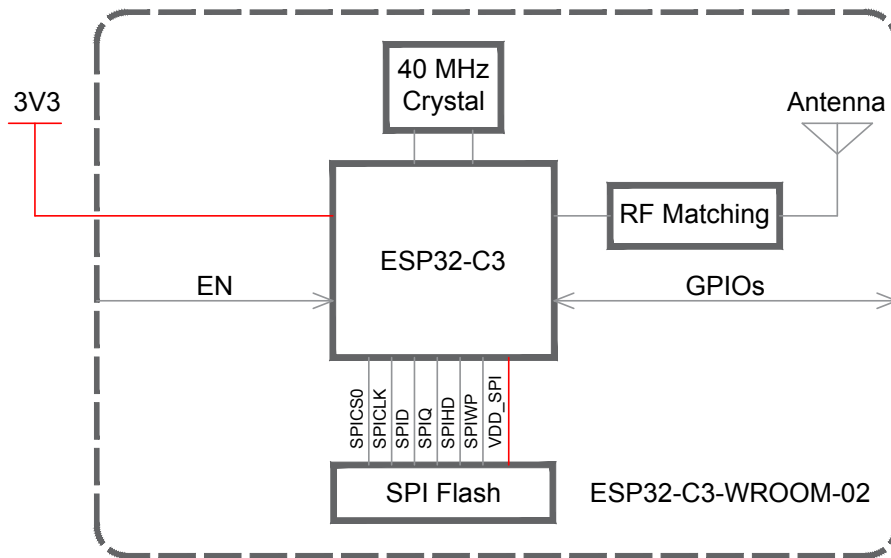


Figure 1: ESP32-C3-WROOM-02 Block Diagram

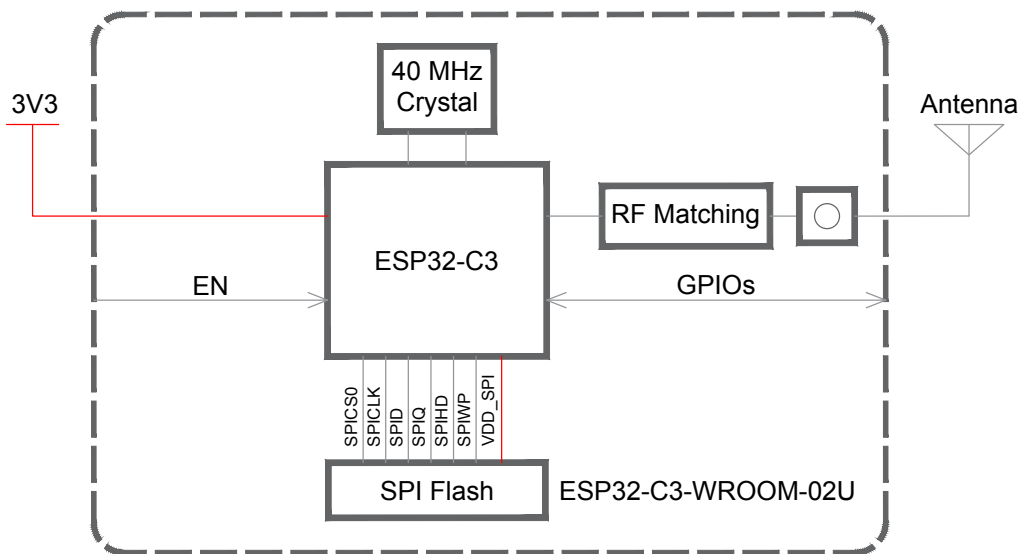


Figure 2: ESP32-C3-WROOM-02U Block Diagram

## 3 Pin Definitions

### 3.1 Pin Layout

The pin diagram below shows the approximate location of pins on the module. For the actual diagram drawn to scale, please refer to Figure 7.1 *Physical Dimensions*.

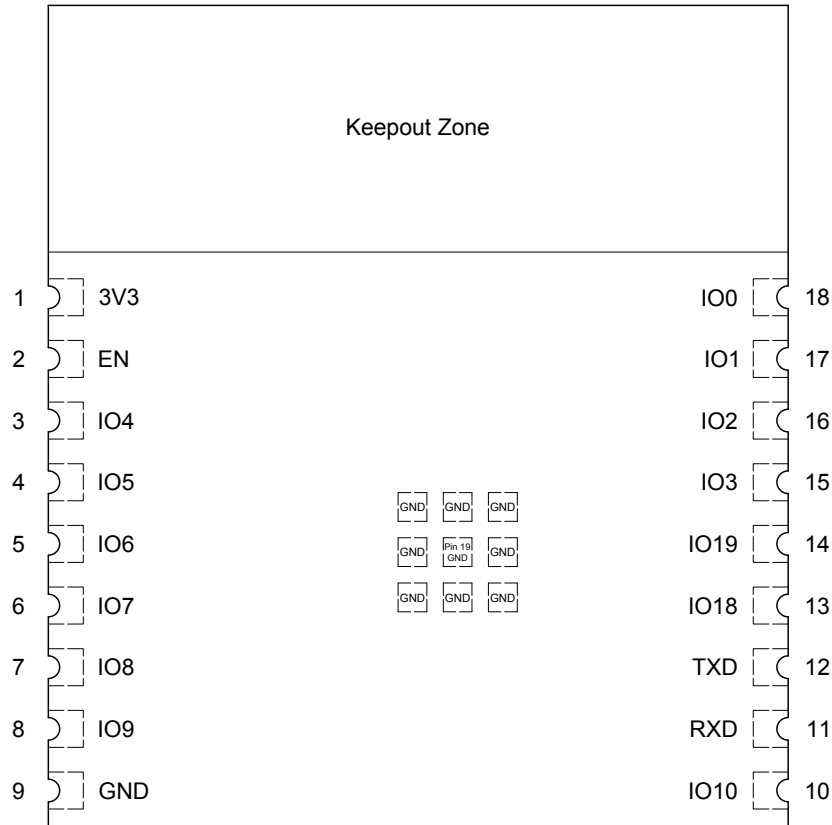


Figure 3: Pin Layout (Top View)

### 3.2 Pin Description

The module has 19 pins. See pin definitions in Table 2.

For peripheral pin configurations, please refer to [ESP32-C3 Family Datasheet](#).

Table 2: Pin Definitions

Name	No.	Type <sup>1</sup>	Function
3V3	1	P	Power supply
EN	2	I	High: on, enables the chip. Low: off, the chip powers off. Note: Do not leave the EN pin floating.
IO4	3	I/O/T	GPIO4, ADC1_CH4, FSPiHD, MTMS
IO5	4	I/O/T	GPIO5, ADC2_CH0, FSPiWP, MTDI
IO6	5	I/O/T	GPIO6, FSPiCLK, MTCK

Cont'd on next page

Table 2 – cont'd from previous page

Name	No.	Type <sup>1</sup>	Function
IO7	6	I/O/T	GPIO7, FSPID, MTDO
IO8	7	I/O/T	GPIO8
IO9	8	I/O/T	GPIO9
GND	9,19	P	Ground
IO10	10	I/O/T	GPIO10, FSPICS0
RXD	11	I/O/T	GPIO20, U0RXD
TXD	12	I/O/T	GPIO21, U0TXD
IO18	13	I/O/T	GPIO18, USB_D-
IO19	14	I/O/T	GPIO19, USB_D+
IO3	15	I/O/T	GPIO3, ADC1_CH3
IO2	16	I/O/T	GPIO2, ADC1_CH2, FSPIQ
IO1	17	I/O/T	GPIO1, ADC1_CH1, XTAL_32K_N
IO0	18	I/O/T	GPIO0, ADC1_CH0, XTAL_32K_P

<sup>1</sup> P: power supply; I: input; O: output; T: high impedance.

### 3.3 Strapping Pins

**Note:**

The content below is excerpted from Section Strapping Pins in [ESP32-C3 Family Datasheet](#). For the strapping pin mapping between the chip and modules, please refer to Chapter 5 *Module Schematics*.

ESP32-C3 family has four strapping pins:

- GPIO2
- GPIO8
- GPIO9

Software can read the values of GPIO2, GPIO8 and GPIO9 from GPIO\_STRAPPING field in GPIO\_STRAP\_REG register. For register description, please refer to Section GPIO Matrix Register Summary in [ESP32-C3 Technical Reference Manual](#).

During the chip's system reset, the latches of the strapping pins sample the voltage level as strapping bits of "0" or "1", and hold these bits until the chip is powered down or shut down.

Types of system reset include:

- power-on-reset
- RTC watchdog reset
- brownout reset
- analog super watchdog reset
- crystal clock glitch detection reset

By default, GPIO9 is connected to the internal pull-up resistor. If GPIO9 is not connected or connected to an external high-impedance circuit, the latched bit value will be "1"

To change the strapping bit values, you can apply the external pull-down/pull-up resistances, or use the host MCU's GPIOs to control the voltage level of these pins when powering on ESP32-C3 family.

After reset, the strapping pins work as normal-function pins.

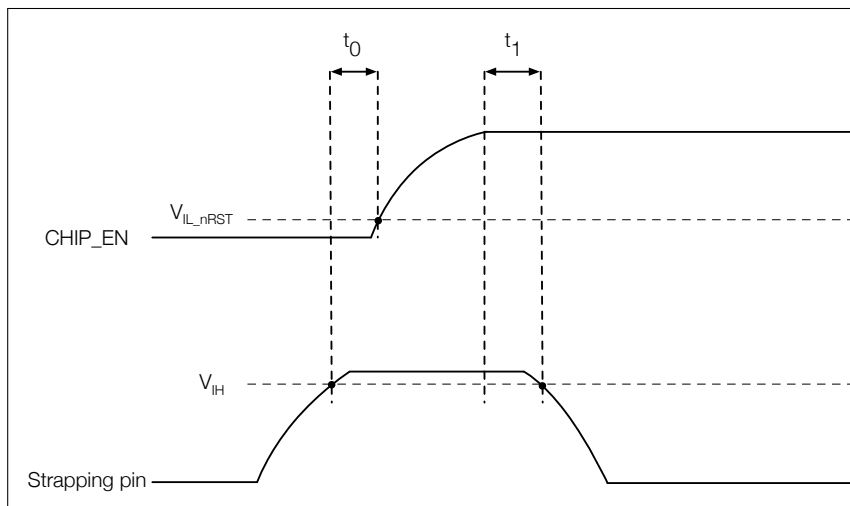
Refer to Table 3 for a detailed boot-mode configuration of the strapping pins.

**Table 3: Strapping Pins**

Booting Mode <sup>1</sup>			
Pin	Default	SPI Boot	Download Boot
GPIO2	N/A	1	1
GPIO8	N/A	Don't care	1
GPIO9	Internal pull-up	1	0
Enabling/Disabling ROM Code Print During Booting			
Pin	Default	Functionality	
GPIO8	N/A	When the value of eFuse field EFUSE_UART_PRINT_CONTROL is 0 (default), print is enabled and not controlled by GPIO8. 1, if GPIO8 is 0, print is enabled; if GPIO8 is 1, it is disabled. 2, if GPIO8 is 0, print is disabled; if GPIO8 is 1, it is enabled. 3, print is disabled and not controlled by GPIO8.	

<sup>1</sup> The strapping combination of GPIO8 = 0 and GPIO9 = 0 is invalid and will trigger unexpected behavior.

Figure 4 shows the setup and hold times for the strapping pin before and after the CHIP\_EN signal goes high. Details about the parameters are listed in Table 4.



**Figure 4: Setup and Hold Times for the Strapping Pin**

**Table 4: Parameter Descriptions of Setup and Hold Times for the Strapping Pin**

Parameter	Description	Min (ms)
$t_0$	Setup time before CHIP_EN goes from low to high	0
$t_1$	Hold time after CHIP_EN goes high	3

## 4 Electrical Characteristics

### 4.1 Absolute Maximum Ratings

Stresses above those listed in *Absolute Maximum Ratings* may cause permanent damage to the device. These are stress ratings only and functional operation of the device at these or any other conditions beyond those indicated under *Recommended Operating Conditions* is not implied. Exposure to absolute-maximum-rated conditions for extended periods may affect device reliability.

Table 5: Absolute Maximum Ratings

Symbol	Parameter	Min	Max	Unit
VDD33	Power supply voltage	-0.3	3.6	V
T <sub>STORE</sub>	Storage temperature	-40	105	°C

### 4.2 Recommended Operating Conditions

Table 6: Recommended Operating Conditions

Symbol	Parameter	Min	Typ	Max	Unit
VDD33	Power supply voltage	3.0	3.3	3.6	V
I <sub>VDD</sub>	Current delivered by external power supply	0.5	—	—	A
T <sub>A</sub>	Ambient temperature	-40	—	85	°C
				105	
Humidity	Humidity condition	—	—	85	%RH

### 4.3 DC Characteristics (3.3 V, 25 °C)

Table 7: DC Characteristics (3.3 V, 25 °C)

Symbol	Parameter	Min	Typ	Max	Unit
C <sub>IN</sub>	Pin capacitance	—	2	—	pF
V <sub>IH</sub>	High-level input voltage	0.75 × VDD <sup>1</sup>	—	VDD <sup>1</sup> + 0.3	V
V <sub>IL</sub>	Low-level input voltage	-0.3	—	0.25 × VDD <sup>1</sup>	V
I <sub>IH</sub>	High-level input current	—	—	50	nA
I <sub>IL</sub>	Low-level input current	—	—	50	nA
V <sub>OH</sub> <sup>2</sup>	High-level output voltage	0.8 × VDD <sup>1</sup>	—	—	V
V <sub>OL</sub> <sup>2</sup>	Low-level output voltage	—	—	0.1 × VDD <sup>1</sup>	V
I <sub>OH</sub>	High-level source current (VDD <sup>1</sup> = 3.3 V, V <sub>OH</sub> ≥ 2.64 V, PAD_DRIVER = 3)	—	40	—	mA
I <sub>OL</sub>	Low-level sink current (VDD <sup>1</sup> = 3.3 V, V <sub>OL</sub> = 0.495 V, PAD_DRIVER = 3)	—	28	—	mA
R <sub>PU</sub>	Pull-up resistor	—	45	—	kΩ
R <sub>PD</sub>	Pull-down resistor	—	45	—	kΩ

Cont'd on next page

Table 7 – cont'd from previous page

Symbol	Parameter	Min	Typ	Max	Unit
$V_{IH\_nRST}$	Chip reset release voltage	$0.75 \times VDD^1$	—	$VDD^1 + 0.3$	V
$V_{IL\_nRST}$	Chip reset voltage	-0.3	—	$0.25 \times VDD^1$	V

<sup>1</sup> VDD is the I/O voltage for a particular power domain of pins.

<sup>2</sup>  $V_{OH}$  and  $V_{OL}$  are measured using high-impedance load.

## 4.4 Current Consumption Characteristics

With the use of advanced power-management technologies, the module can switch between different power modes. For details on different power modes, please refer to Section *Low Power Management* in [ESP32-C3 Family Datasheet](#).

Table 8: Current Consumption Depending on RF Modes

Work mode	Description	Peak (mA)	
Active (RF working)	TX	802.11b, 1 Mbps, @20.5 dBm	345
		802.11g, 54 Mbps, @18 dBm	285
		802.11n, HT20, MCS 7, @17.5 dBm	280
		802.11n, HT40, MCS 7, @17 dBm	280
	RX	802.11b/g/n, HT20	82
		802.11n, HT40	84

<sup>1</sup> The current consumption measurements are taken with a 3.3 V supply at 25 °C of ambient temperature at the RF port. All transmitters' measurements are based on a 100% duty cycle.

<sup>2</sup> The current consumption figures for in RX mode are for cases when the peripherals are disabled and the CPU idle.

Table 9: Current Consumption Depending on Work Modes

Work mode	Description	Typ	Unit
Modem-sleep <sup>1, 2</sup>	The CPU is powered on <sup>3</sup>	160 MHz	20 mA
		80 MHz	15 mA
Light-sleep	—	130	$\mu$ A
Deep-sleep	RTC timer + RTC memory	5	$\mu$ A
Power off	CHIP_PU is set to low level, the chip is powered off	1	$\mu$ A

<sup>1</sup> The current consumption figures in Modem-sleep mode are for cases where the CPU is powered on and the cache idle.

<sup>2</sup> When Wi-Fi is enabled, the chip may switch between Active and Modem-sleep modes. Therefore, current consumption changes accordingly.

<sup>3</sup> In practice, software can adjust CPU's frequency according to CPU load to reduce current consumption.

## 4.5 Wi-Fi Radio

### 4.5.1 Wi-Fi RF Standards

Table 10: Wi-Fi RF Standards

Name		Description
Center frequency range of operating channel <sup>1</sup>		2412 ~ 2484 MHz
Wi-Fi wireless standard		IEEE 802.11b/g/n
Data rate	20 MHz	11b: 1, 2, 5.5 and 11 Mbps 11g: 6, 9, 12, 18, 24, 36, 48, 54 Mbps 11n: MCS0-7, 72.2 Mbps (Max)
	40 MHz	11n: MCS0-7, 150 Mbps (Max)
Antenna type		PCB antenna, IPEX antenna

<sup>1</sup> Device should operate in the center frequency range allocated by regional regulatory authorities. Target center frequency range is configurable by software.

### 4.5.2 Wi-Fi RF Transmitter (TX) Specifications

Target TX power is configurable based on device or certification requirements. The default characteristics are provided in Table 11.

Table 11: TX Power with Spectral Mask and EVM Meeting 802.11 Standards

Rate	Min (dBm)	Typ (dBm)	Max (dBm)
802.11b, 1 Mbps	—	20.5	—
802.11b, 11 Mbps	—	20.5	—
802.11g, 6 Mbps	—	20.0	—
802.11g, 54 Mbps	—	18.0	—
802.11n, HT20, MCS 0	—	19.0	—
802.11n, HT20, MCS 7	—	17.5	—
802.11n, HT40, MCS 0	—	18.5	—
802.11n, HT40, MCS 7	—	17.0	—

Table 12: TX EVM Test

Rate	Min (dB)	Typ (dB)	SL <sup>1</sup> (dB)
802.11b, 1 Mbps, @20.5 dBm	—	-24.5	-10
802.11b, 11 Mbps, @20.5 dBm	—	-25.0	-10
802.11g, 6 Mbps, @20 dBm	—	-23.0	-5
802.11g, 54 Mbps, @18 dBm	—	-28.0	-25
802.11n, HT20, MCS 0, @19 dBm	—	-23.5	-5
802.11n, HT20, MCS 7, @17.5 dBm	—	-30.5	-27

Cont'd on next page



Table 12 – cont'd from previous page

Rate	Min (dB)	Typ (dB)	SL <sup>1</sup> (dB)
802.11n, HT40, MCS 0, @18.5 dBm	—	-26.5	-5
802.11n, HT40, MCS 7, @17 dBm	—	-30.5	-27

<sup>1</sup> SL stands for standard limit value.

### 4.5.3 Wi-Fi RF Receiver (RX) Specifications

Table 13: RX Sensitivity

Rate	Min (dBm)	Typ (dBm)	Max (dBm)
802.11b, 1 Mbps	—	-98.0	—
802.11b, 2 Mbps	—	-96.0	—
802.11b, 5.5 Mbps	—	-93.0	—
802.11b, 11 Mbps	—	-88.6	—
802.11g, 6 Mbps	—	-93.0	—
802.11g, 9 Mbps	—	-92.0	—
802.11g, 12 Mbps	—	-90.8	—
802.11g, 18 Mbps	—	-88.4	—
802.11g, 24 Mbps	—	-85.4	—
802.11g, 36 Mbps	—	-82.0	—
802.11g, 48 Mbps	—	-78.0	—
802.11g, 54 Mbps	—	-76.4	—
802.11n, HT20, MCS 0	—	-93.0	—
802.11n, HT20, MCS 1	—	-90.8	—
802.11n, HT20, MCS 2	—	-88.2	—
802.11n, HT20, MCS 3	—	-84.6	—
802.11n, HT20, MCS 4	—	-81.4	—
802.11n, HT20, MCS 5	—	-77.4	—
802.11n, HT20, MCS 6	—	-75.4	—
802.11n, HT20, MCS 7	—	-74.4	—
802.11n, HT40, MCS 0	—	-90.0	—
802.11n, HT40, MCS 1	—	-87.6	—
802.11n, HT40, MCS 2	—	-84.8	—
802.11n, HT40, MCS 3	—	-81.8	—
802.11n, HT40, MCS 4	—	-78.4	—
802.11n, HT40, MCS 5	—	-74.4	—
802.11n, HT40, MCS 6	—	-72.6	—
802.11n, HT40, MCS 7	—	-71.2	—

Table 14: Maximum RX Level

Rate	Min (dBm)	Typ (dBm)	Max (dBm)
802.11b, 1 Mbps	—	5	—
802.11b, 11 Mbps	—	5	—
802.11g, 6 Mbps	—	5	—
802.11g, 54 Mbps	—	0	—
802.11n, HT20, MCS 0	—	5	—
802.11n, HT20, MCS 7	—	0	—
802.11n, HT40, MCS 0	—	5	—
802.11n, HT40, MCS 7	—	0	—

Table 15: RX Adjacent Channel Rejection

Rate	Min (dB)	Typ (dB)	Max (dB)
802.11b, 1 Mbps	—	35	—
802.11b, 11 Mbps	—	35	—
802.11g, 6 Mbps	—	31	—
802.11g, 54 Mbps	—	14	—
802.11n, HT20, MCS 0	—	31	—
802.11n, HT20, MCS 7	—	13	—
802.11n, HT40, MCS 0	—	19	—
802.11n, HT40, MCS 7	—	8	—

## 4.6 Bluetooth LE Radio

### 4.6.1 Bluetooth LE RF Transmitter (TX) Specifications

Table 16: Transmitter General Characteristics

Parameter	Min	Typ	Max	Unit
RF transmit power	—	0	—	dBm
Gain control step	—	3	—	dB
RF power control range	-27	—	18	dBm

Table 17: Transmitter Characteristics - Bluetooth LE 1M

Parameter	Description	Min	Typ	Max	Unit
In-band emissions	$F = F_0 \pm 2$ MHz	—	-37.62	—	dBm
	$F = F_0 \pm 3$ MHz	—	-41.95	—	dBm
	$F = F_0 \pm > 3$ MHz	—	-44.48	—	dBm
Modulation characteristics	$\Delta f_{1_{avg}}$	—	245.00	—	kHz
	$\Delta f_{2_{max}}$	—	208.00	—	kHz
	$\Delta f_{2_{avg}}/\Delta f_{1_{avg}}$	—	0.93	—	—
Carrier frequency offset	—	—	-9.00	—	kHz
Carrier frequency drift	$ f_0 - f_n _{n=2, 3, 4, \dots, k}$	—	1.17	—	kHz
	$ f_1 - f_0 $	—	0.30	—	kHz
	$ f_n - f_{n-5} _{n=6, 7, 8, \dots, k}$	—	4.90	—	kHz

Table 18: Transmitter Characteristics - Bluetooth LE 2M

Parameter	Description	Min	Typ	Max	Unit
In-band emissions	$F = F_0 \pm 4$ MHz	—	-43.55	—	dBm
	$F = F_0 \pm 5$ MHz	—	-45.26	—	dBm
	$F = F_0 \pm > 5$ MHz	—	-47.00	—	dBm
Modulation characteristics	$\Delta f_{1_{avg}}$	—	497.00	—	kHz
	$\Delta f_{2_{max}}$	—	398.00	—	kHz
	$\Delta f_{2_{avg}}/\Delta f_{1_{avg}}$	—	0.95	—	—
Carrier frequency offset	—	—	-9.00	—	kHz
Carrier frequency drift	$ f_0 - f_n _{n=2, 3, 4, \dots, k}$	—	0.46	—	kHz
	$ f_1 - f_0 $	—	0.70	—	kHz
	$ f_n - f_{n-5} _{n=6, 7, 8, \dots, k}$	—	6.80	—	kHz

Table 19: Transmitter Characteristics - Bluetooth LE 125K

Parameter	Description	Min	Typ	Max	Unit
In-band emissions	$F = F_0 \pm 2$ MHz	—	-37.90	—	dBm
	$F = F_0 \pm 3$ MHz	—	-41.00	—	dBm
	$F = F_0 \pm > 3$ MHz	—	-42.50	—	dBm
Modulation characteristics	$\Delta f_{1_{avg}}$	—	252.00	—	kHz
	$\Delta f_{1_{max}}$	—	200.00	—	kHz
Carrier frequency offset	—	—	-13.70	—	kHz
Carrier frequency drift	$ f_0 - f_n _{n=1, 2, 3, \dots, k}$	—	1.52	—	kHz
	$ f_0 - f_3 $	—	0.65	—	kHz
	$ f_n - f_{n-3} _{n=7, 8, 9, \dots, k}$	—	0.70	—	kHz

Table 20: Transmitter Characteristics - Bluetooth LE 500K

Parameter	Description	Min	Typ	Max	Unit
In-band emissions	$F = F_0 \pm 2 \text{ MHz}$	—	-37.90	—	dBm
	$F = F_0 \pm 3 \text{ MHz}$	—	-41.30	—	dBm
	$F = F_0 \pm > 3 \text{ MHz}$	—	-42.80	—	dBm
Modulation characteristics	$\Delta f_{2\text{avg}}$	—	220.00	—	kHz
	$\Delta f_{2\text{max}}$	—	205.00	—	kHz
Carrier frequency offset	—	—	-11.90	—	kHz
Carrier frequency drift	$ f_0 - f_n _{n=1, 2, 3, \dots, k}$	—	1.37	—	kHz
	$ f_0 - f_3 $	—	1.09	—	kHz
	$ f_n - f_{n-3} _{n=7, 8, 9, \dots, k}$	—	0.51	—	kHz

#### 4.6.2 Bluetooth LE RF Receiver (RX) Specifications

Table 21: Receiver Characteristics - Bluetooth LE 1M

Parameter	Description	Min	Typ	Max	Unit
Sensitivity @30.8% PER	—	—	-97	—	dBm
Maximum received signal @30.8% PER	—	—	10	—	dBm
Co-channel C/I	—	—	7	—	dB
Adjacent channel selectivity C/I	$F = F_0 + 1 \text{ MHz}$	—	-4	—	dB
	$F = F_0 - 1 \text{ MHz}$	—	-4	—	dB
	$F = F_0 + 2 \text{ MHz}$	—	-29	—	dB
	$F = F_0 - 2 \text{ MHz}$	—	-31	—	dB
	$F \geq F_0 + 3 \text{ MHz}$	—	-33	—	dB
	$F \leq F_0 - 3 \text{ MHz}$	—	-35	—	dB
	$F \geq F_0 + 4 \text{ MHz}$	—	-35	—	dB
Image frequency	—	—	-35	—	dB
	—	—	-35	—	dB
Adjacent channel to image frequency	$F = F_{\text{image}} + 1 \text{ MHz}$	—	-40	—	dB
	$F = F_{\text{image}} - 1 \text{ MHz}$	—	-33	—	dB
Out-of-band blocking performance	30 MHz ~ 2000 MHz	—	-6	—	dBm
	2003 MHz ~ 2399 MHz	—	-26	—	dBm
	2484 MHz ~ 2997 MHz	—	-25	—	dBm
	3000 MHz ~ 12.75 GHz	—	-5	—	dBm
Intermodulation	—	—	-30	—	dBm

Table 22: Receiver Characteristics - Bluetooth LE 2M

Parameter	Description	Min	Typ	Max	Unit
Sensitivity @30.8% PER	—	—	-93	—	dBm
Maximum received signal @30.8% PER	—	—	5	—	dBm
Co-channel C/I	—	—	10	—	dB
Adjacent channel selectivity C/I	$F = F_0 + 2 \text{ MHz}$	—	-8	—	dB
	$F = F_0 - 2 \text{ MHz}$	—	-7	—	dB
	$F = F_0 + 4 \text{ MHz}$	—	-32	—	dB
	$F = F_0 - 4 \text{ MHz}$	—	-34	—	dB
	$F \geq F_0 + 6 \text{ MHz}$	—	-39	—	dB
	$F \leq F_0 - 6 \text{ MHz}$	—	-39	—	dB
Image frequency	—	—	-32	—	dB
Adjacent channel to image frequency	$F = F_{image} + 2 \text{ MHz}$	—	-39	—	dB
	$F = F_{image} - 2 \text{ MHz}^{(2)}$	—	-8	—	dB
Out-of-band blocking performance	30 MHz ~ 2000 MHz	—	-12	—	dBm
	2003 MHz ~ 2399 MHz	—	-30	—	dBm
	2484 MHz ~ 2997 MHz	—	-28	—	dBm
	3000 MHz ~ 12.75 GHz	—	-6	—	dBm
Intermodulation	—	—	-29	—	dBm

Table 23: Receiver Characteristics - Bluetooth LE 125K

Parameter	Description	Min	Typ	Max	Unit
Sensitivity @30.8% PER	—	—	-105	—	dBm
Maximum received signal @30.8% PER	—	—	10	—	dBm
Co-channel C/I	—	—	2	—	dB
Adjacent channel selectivity C/I	$F = F_0 + 1 \text{ MHz}$	—	-6	—	dB
	$F = F_0 - 1 \text{ MHz}$	—	-4	—	dB
	$F = F_0 + 2 \text{ MHz}$	—	-33	—	dB
	$F = F_0 - 2 \text{ MHz}$	—	-41	—	dB
	$F \geq F_0 + 3 \text{ MHz}$	—	-37	—	dB
	$F \leq F_0 - 3 \text{ MHz}$	—	-46	—	dB
	$F \geq F_0 + 4 \text{ MHz}$	—	-40	—	dB
	$F \leq F_0 - 4 \text{ MHz}$	—	-49	—	dB
Image frequency	—	—	-40	—	dB
Adjacent channel to image frequency	$F = F_{image} + 1 \text{ MHz}$	—	-46	—	dB
	$F = F_{image} - 1 \text{ MHz}$	—	-37	—	dB

Table 24: Receiver Characteristics - Bluetooth LE 500K

Parameter	Description	Min	Typ	Max	Unit
Sensitivity @30.8% PER	—	—	-101	—	dBm
Maximum received signal @30.8% PER	—	—	10	—	dBm
Co-channel C/I	—	—	3	—	dB

Cont'd on next page

Table 24 – cont'd from previous page

Parameter	Description	Min	Typ	Max	Unit
Adjacent channel selectivity C/I	$F = F_0 + 1 \text{ MHz}$	—	-6	—	dB
	$F = F_0 - 1 \text{ MHz}$	—	-7	—	dB
	$F = F_0 + 2 \text{ MHz}$	—	-34	—	dB
	$F = F_0 - 2 \text{ MHz}$	—	-37	—	dB
	$F \geq F_0 + 3 \text{ MHz}$	—	-38	—	dB
	$F \leq F_0 - 3 \text{ MHz}$	—	-40	—	dB
	$F \geq F_0 + 4 \text{ MHz}$	—	-40	—	dB
	$F \leq F_0 - 4 \text{ MHz}$	—	-42	—	dB
Image frequency	—	—	-40	—	dB
Adjacent channel to image frequency	$F = F_{image} + 1 \text{ MHz}$	—	-45	—	dB
	$F = F_{image} - 1 \text{ MHz}$	—	-38	—	dB

# 5 Module Schematics

This is the reference design of the module.

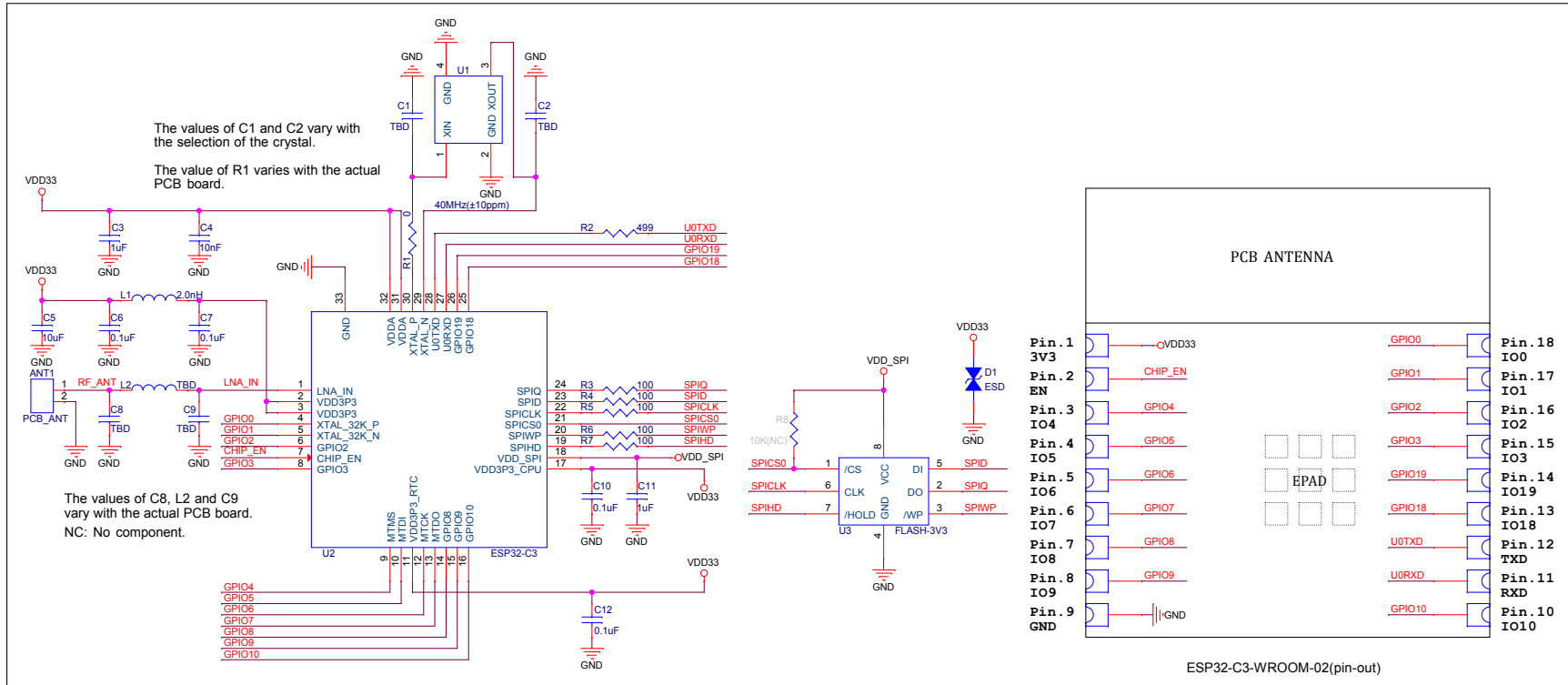


Figure 5: ESP32-C3-WROOM-02 Schematics

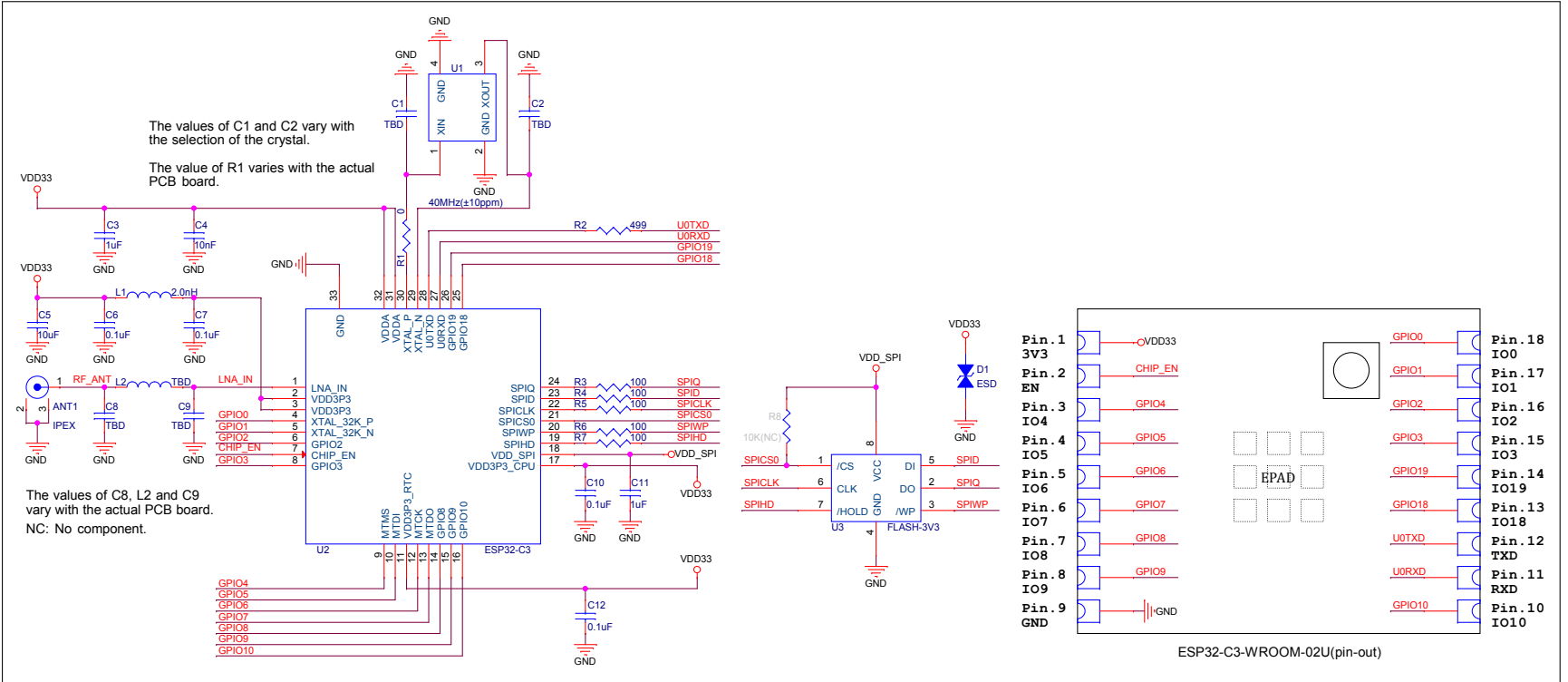


Figure 6: ESP32-C3-WROOM-02U Schematics



## 6 Peripheral Schematics

This is the typical application circuit of the module connected with peripheral components (for example, power supply, antenna, reset button, JTAG interface, and UART interface).

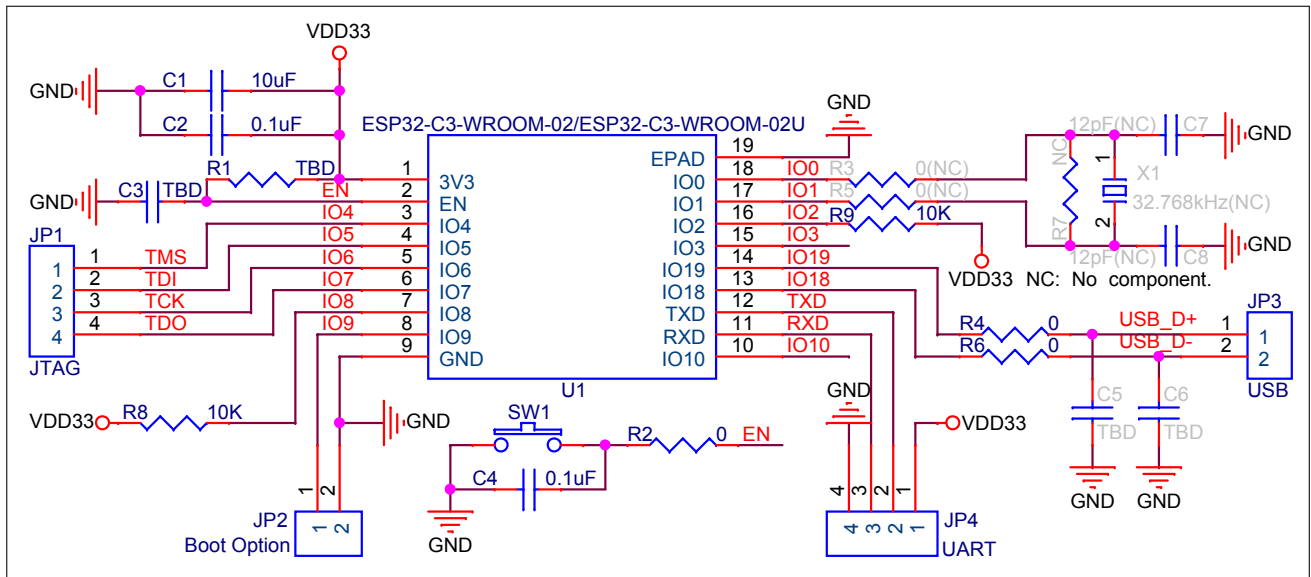


Figure 7: Peripheral Schematics

- Soldering the EPAD to the ground of the base board is not a must, though doing so can get optimized thermal performance. If you do want to solder it, please ensure that you apply the correct amount of soldering paste.
- To ensure the power supply to the ESP32-C3 family chip is stable during power-up, it is advised to add an RC delay circuit at the EN pin. The recommended setting for the RC delay circuit is usually  $R = 10\text{ k}\Omega$  and  $C = 1\text{ }\mu\text{F}$ . However, specific parameters should be adjusted based on the power-up timing of the module and the power-up and reset sequence timing of the chip. For power-up and reset sequence timing diagram of the ESP32-C3 family chip, please refer to Section *Power Scheme* in [ESP32-C3 Family Datasheet](#).

## 7 Physical Dimensions and PCB Land Pattern

### 7.1 Physical Dimensions

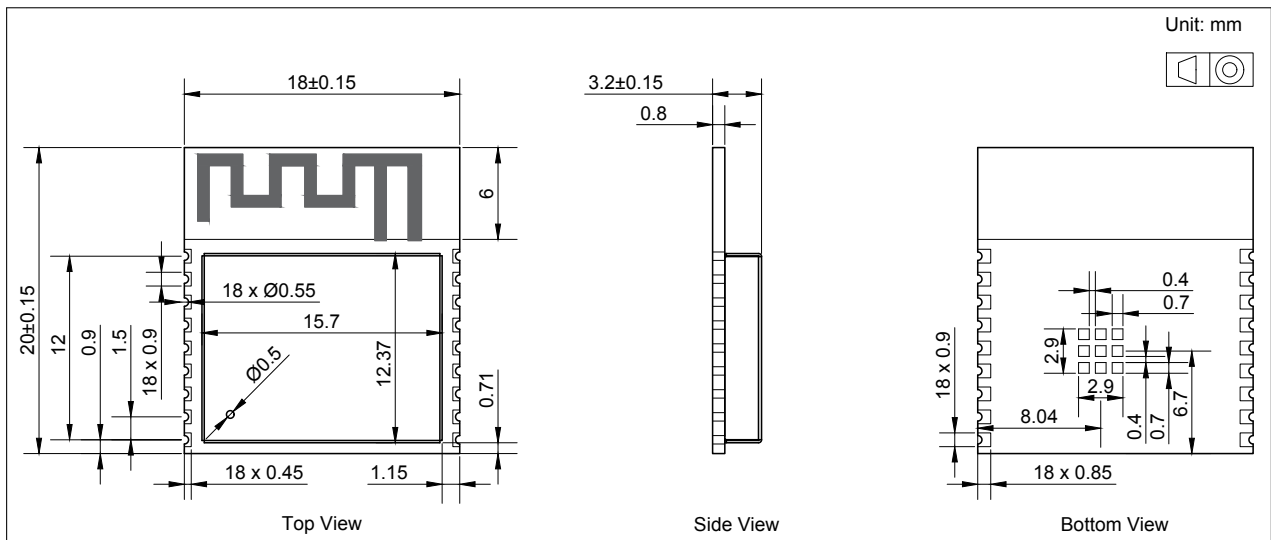


Figure 8: ESP32-C3-WROOM-02 Physical Dimensions

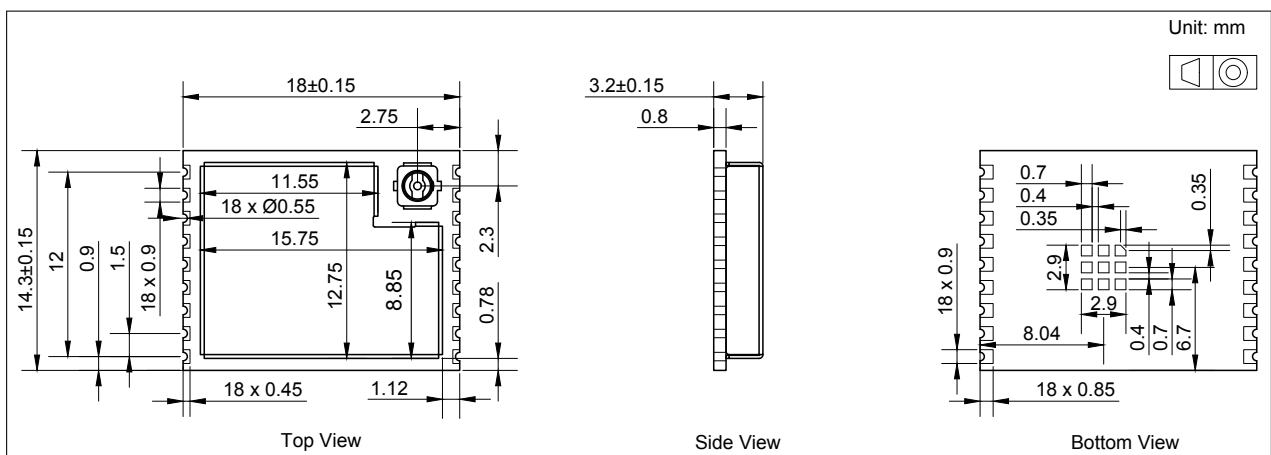


Figure 9: ESP32-C3-WROOM-02U Physical Dimensions

**Note:**

For information about tape, reel, and product marking, please refer to [Espressif Module Package Information](#).

## 7.2 Recommended PCB Land Pattern

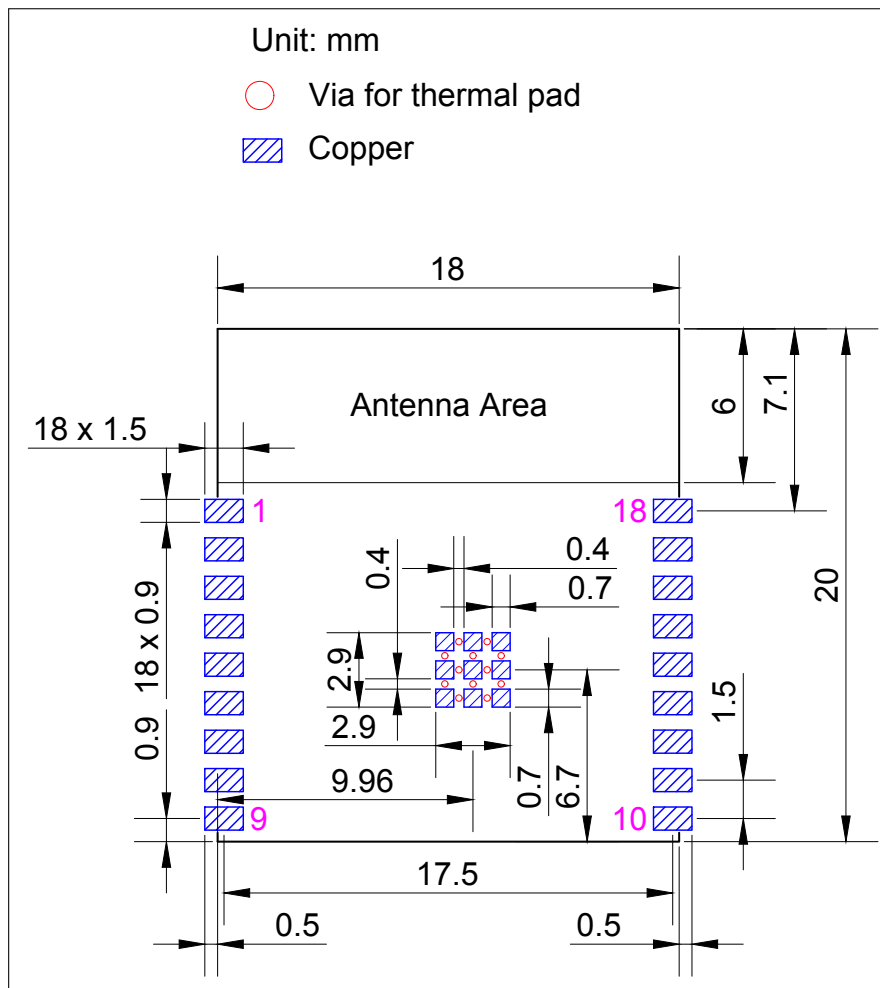


Figure 10: ESP32-C3-WROOM-02 Recommended PCB Land Pattern

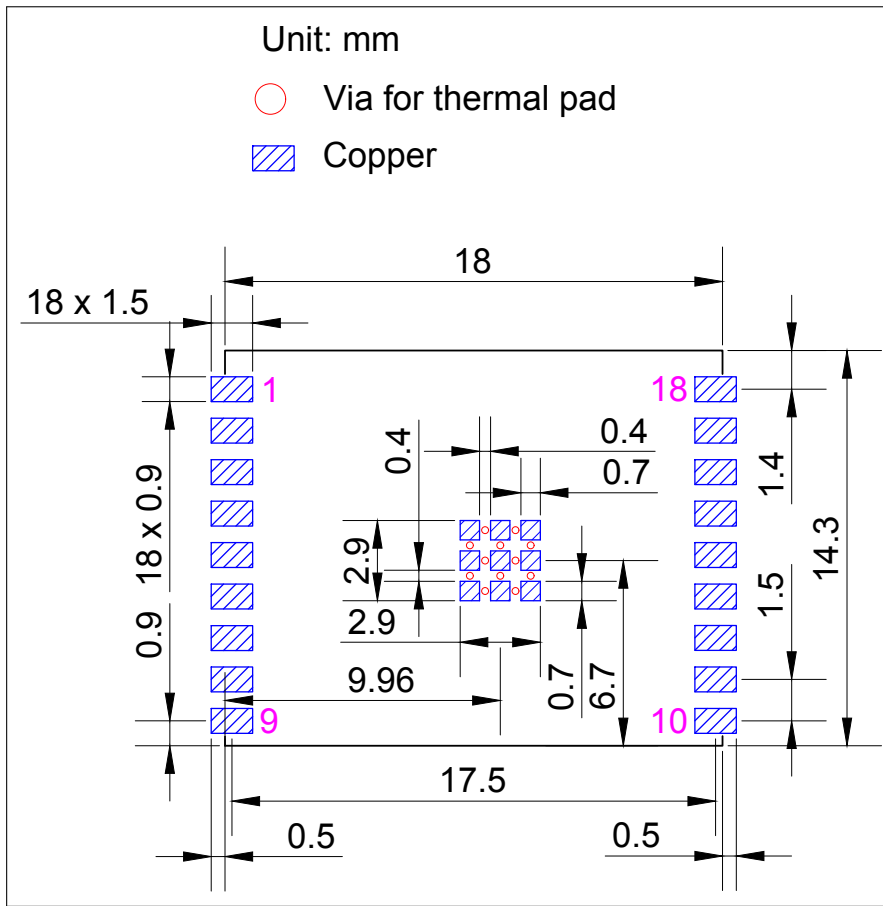


Figure 11: ESP32-C3-WROOM-02U Recommended PCB Land Pattern

### 7.3 U.FL Connector Dimensions

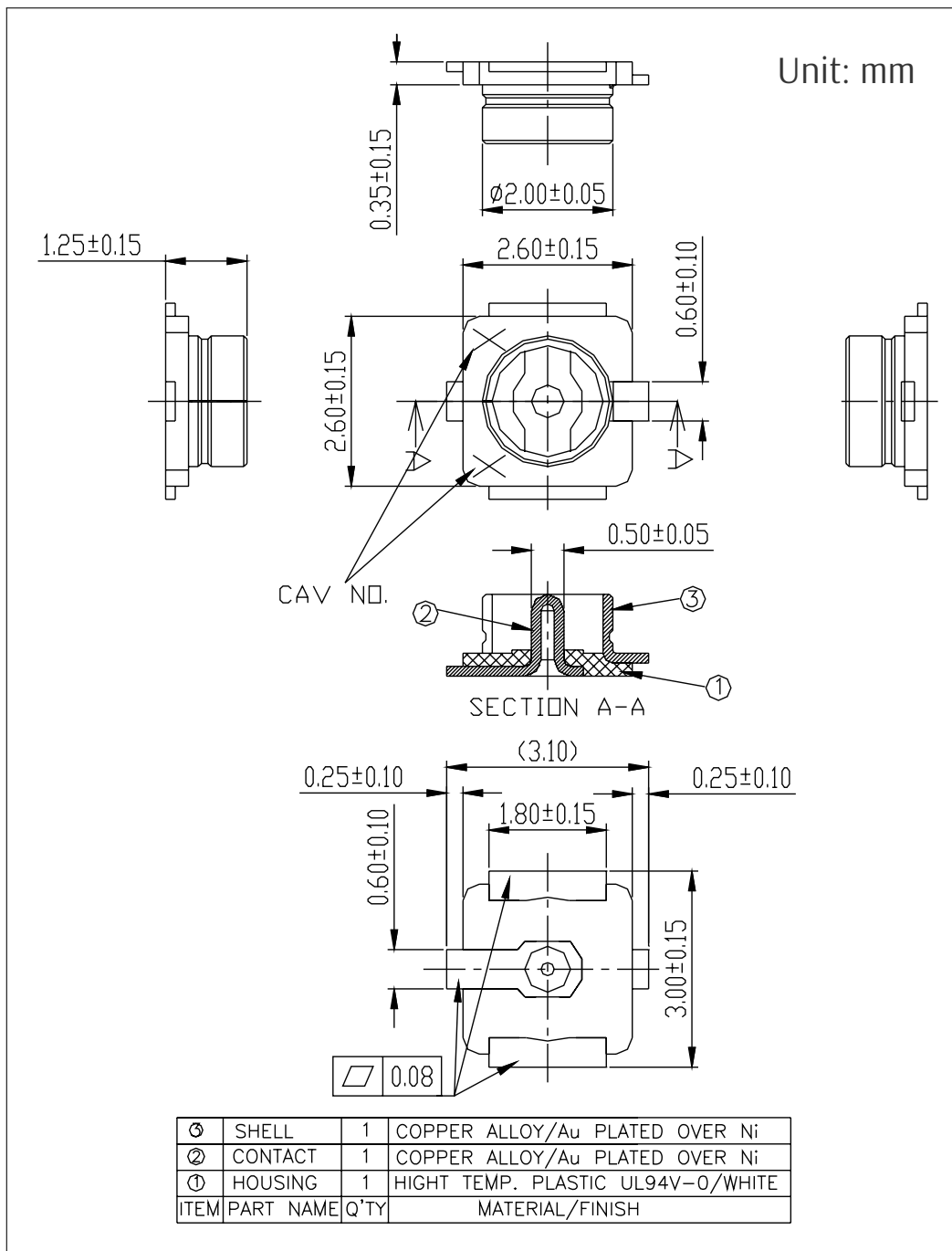


Figure 12: U.FL Connector Dimensions

## 8 Product Handling

### 8.1 Storage Conditions

The products sealed in moisture barrier bags (MBB) should be stored in a non-condensing atmospheric environment of  $< 40\text{ }^{\circ}\text{C}$  and  $/90\%\text{RH}$ . The module is rated at the moisture sensitivity level (MSL) of 3.

After unpacking, the module must be soldered within 168 hours with the factory conditions  $25\pm 5\text{ }^{\circ}\text{C}$  and  $/60\%\text{RH}$ . If the above conditions are not met, the module needs to be baked.

### 8.2 Electrostatic Discharge (ESD)

- Human body model (HBM): 2000 V
- Charged-device model (CDM): 500 V

### 8.3 Reflow Profile

Solder the module in a single reflow.

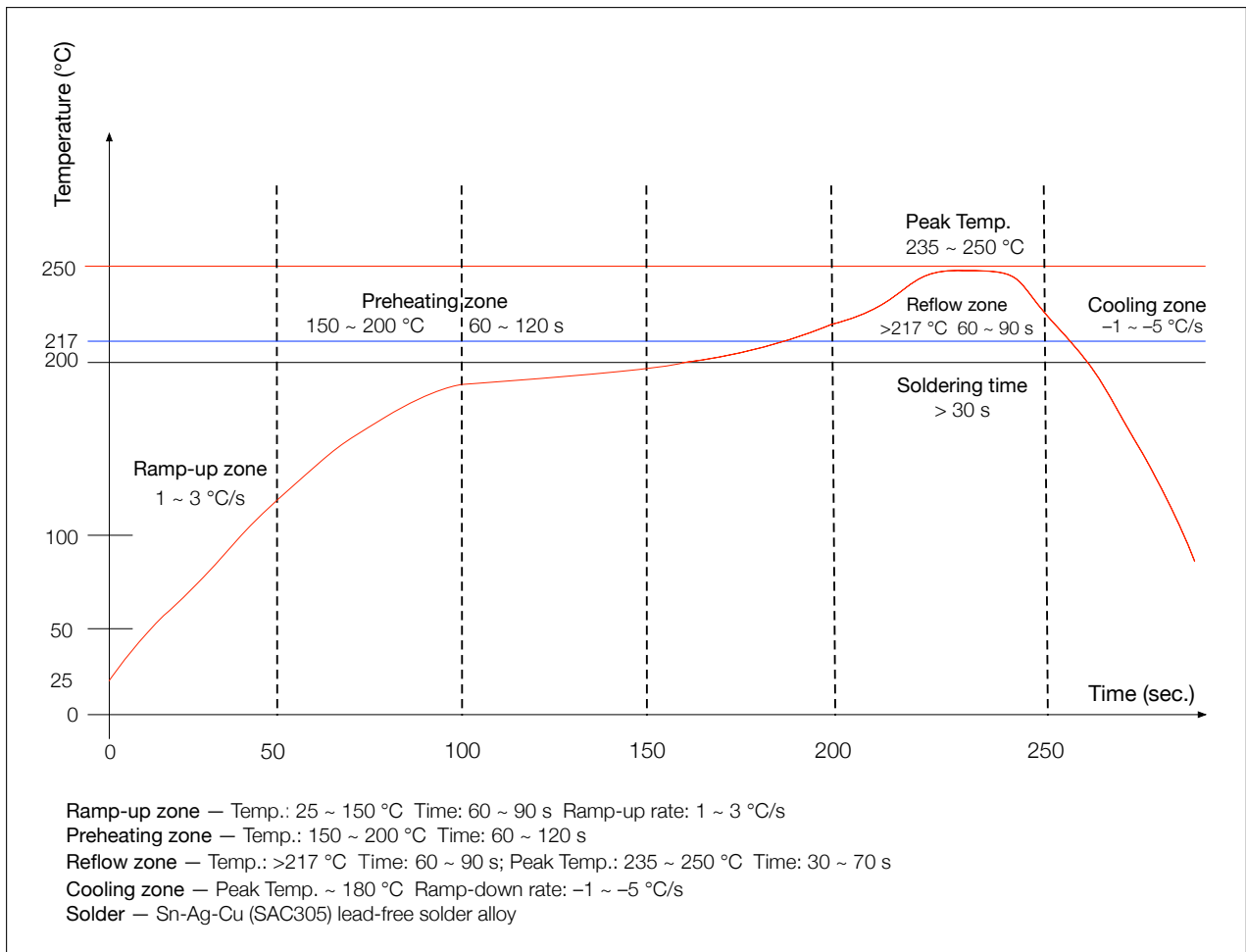


Figure 13: Reflow Profile

## 9 Learning Resources

### 9.1 Must-Read Documents

Please familiarize yourself with the following documents:

- [ESP32-C3 Family Datasheet](#)

This is an introduction to the specifications of ESP32-C3 family's hardware, including overview, pin definitions, functional description, peripheral interface, electrical characteristics, etc.

- [ESP-IDF Programming Guide](#)

Extensive documentation for the ESP-IDF development framework, ranging from hardware guides to API reference.

- [ESP32-C3 Technical Reference Manual](#)

Detailed information on how to use ESP32-C3 family's memory and peripherals.

- [ESP32-C3 Hardware Design Guidelines](#)

The guidelines outline recommended design practices when developing standalone or add-on systems based on the ESP32-C3 series of products, including ESP32-C3 SoCs, ESP32-C3 modules and ESP32-C3 development boards.

- [Espressif Products Ordering Information](#)

### 9.2 Important Resources

Here are the important ESP32-C3-related resources.

- [ESP32 BBS](#)

Engineer-to-Engineer (E2E) Community for Espressif products where you can post questions, share knowledge, explore ideas, and help solve problems with fellow engineers.

## Revision History

Date	Version	Release notes
2021-05-17	V0.7	<ul style="list-style-type: none"><li>• Updated Section <a href="#">3.3 Strapping Pins</a></li><li>• Updated ESP32-C3-WROOM-02U <a href="#">Physical Dimensions</a></li></ul>
2021-04-16	V0.6	Added information about ESP32-C3-WROOM-02U module
2021-03-05	V0.5	Preliminary release





[www.espressif.com](http://www.espressif.com)

## **Disclaimer and Copyright Notice**

Information in this document, including URL references, is subject to change without notice.

ALL THIRD PARTY'S INFORMATION IN THIS DOCUMENT IS PROVIDED AS IS WITH NO WARRANTIES TO ITS AUTHENTICITY AND ACCURACY.

NO WARRANTY IS PROVIDED TO THIS DOCUMENT FOR ITS MERCHANTABILITY, NON-INFRINGEMENT, FITNESS FOR ANY PARTICULAR PURPOSE, NOR DOES ANY WARRANTY OTHERWISE ARISING OUT OF ANY PROPOSAL, SPECIFICATION OR SAMPLE.

All liability, including liability for infringement of any proprietary rights, relating to use of information in this document is disclaimed. No licenses express or implied, by estoppel or otherwise, to any intellectual property rights are granted herein.

The Wi-Fi Alliance Member logo is a trademark of the Wi-Fi Alliance. The Bluetooth logo is a registered trademark of Bluetooth SIG.

All trade names, trademarks and registered trademarks mentioned in this document are property of their respective owners, and are hereby acknowledged.

**Copyright © 2021 Espressif Systems (Shanghai) Co., Ltd. All rights reserved.**